

1.9 Litre Thermal Carafes



Model 1.9 litre Deluxe Thermal Carafe

Dimensions:
8" H x 6.4" W x 8.2" D
(20.3cm H x 16.3cm W x 21cm D)



Model 1.9 litre Economy Thermal Carafe

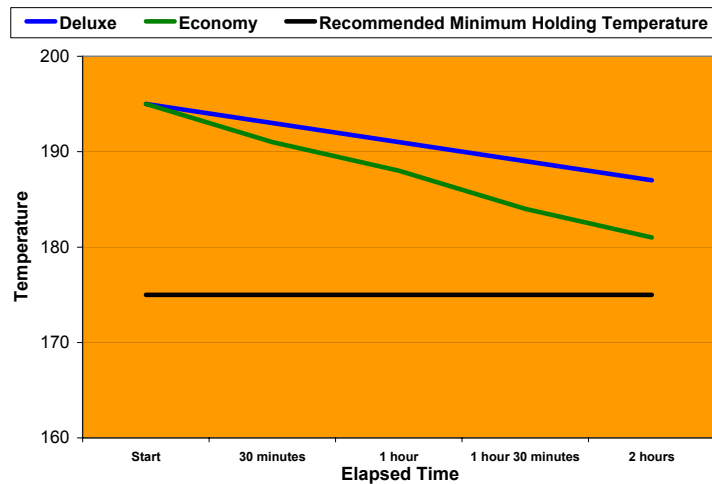
Dimensions:
7.1" H x 6.6" W x 8.64" D
(18cm H x 16.8cm W x 21.9cm D)

Features

1.9 litre Thermal Carafes

- Holds 1.9 litres or 64 ounces (12 cups) of coffee or other hot beverage.
- Unbreakable stainless steel interior and exterior.
- Vacuum insulation keeps beverages hot for hours.
- Brew through lid allows direct brewing.
- Fits on BUNN Thermal Carafe and Twin Thermal Carafe brewers.

Thermal Carafe Comparison Chart



For current specification sheets and other information, go to www.bunn.com.

Related Products

CWTF15-TC

Product No.: 12950.0360
Dimensions:
17.9" H x 9" W x 18.5" D
(45.5cm H x 22.9cm W x 55.4cm D)



CWTF Twin-TC

Product No.: 23400.0047
Dimensions:
18.1" H x 16" W x 22.5" D
(45.9cm H x 41cm W x 57.2cm D)



AXIOM™ TC

Product No.: 38700.0011
Dimensions:
17.9" H x 9" W x 18.5" D
(45.5cm H x 22.9cm W x 55.4cm D)



Smart Wave™

Product No.: 39900.0000
Dimensions:
16.94" H x 8.74" W x 17.14" D
(43cm H x 22.2cm W x 43.5cm D)



1.9L Economy Thermal Carafe
orange lid (decaf)
Product No.: 40162.0001

See spec sheets A3.13, A3.13a and A3.14 for more details on brewers.

Model

Agency Listing

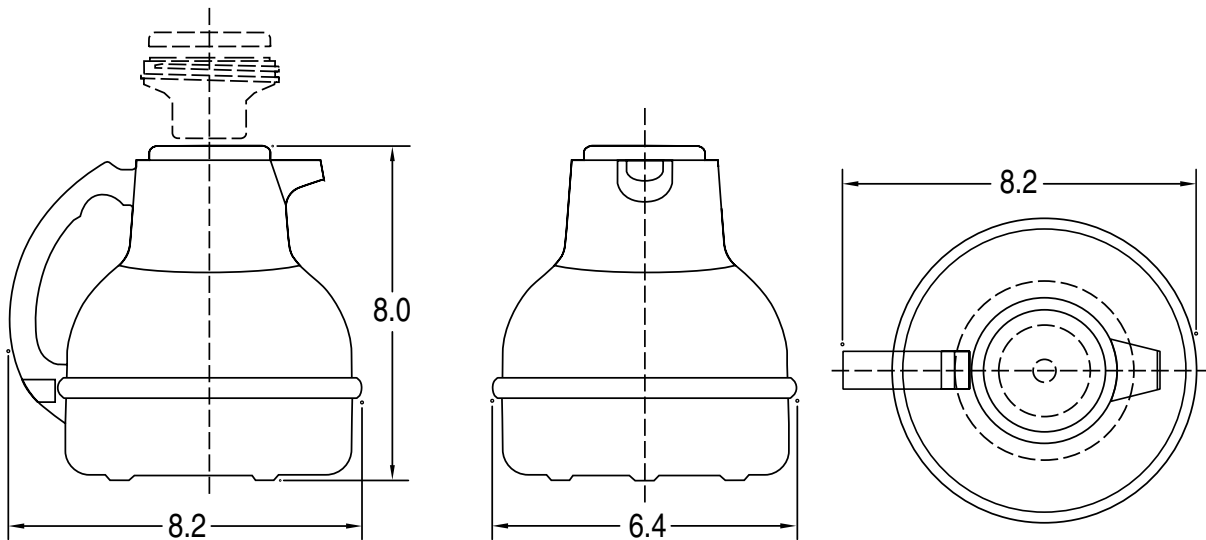
Thermal Carafe, 1.9L Deluxe
Carafe, 1.9L Economy



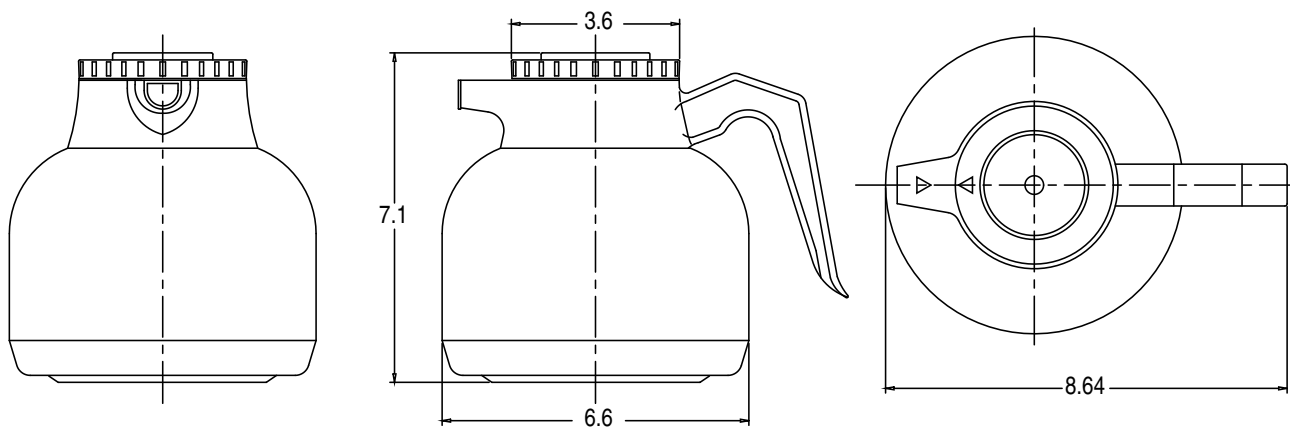
Dimensions & Specifications

Model	Product #	Capacity	Quantity	Cu. Ft.	Shipping Weight
1.9L Deluxe Thermal Carafe	36029.0001	1.9 litres (64 oz.)	single unit	.26	3.0 lbs.
1.9L Deluxe Thermal Carafe	36029.0000	1.9 litres (64 oz.)	12 units to a case	3.6	34 lbs.
1.9L Deluxe Thermal Carafe*	36252.0001	1.9 litres (64 oz.)	single unit	.26	3.0 lbs.
1.9L Deluxe Thermal Carafe*	36252.0000	1.9 litres (64 oz.)	12 units to a case	3.6	34 lbs.
1.9L Economy Thermal Carafe	40163.0000	1.9 litres (64 oz.)	single unit	.26	2.5 lbs.
1.9L Economy Thermal Carafe	40163.0100	1.9 litres (64 oz.)	12 units to a case	3.6	30 lbs.
1.9L Economy Thermal Carafe*	40163.0001	1.9 litres (64 oz.)	single unit	.26	2.5 lbs.
1.9L Economy Thermal Carafe*	40163.0101	1.9 litres (64 oz.)	12 units to a case	3.6	30 lbs.

Note: *Orange lid (for decaf).



1.9 litre Deluxe Thermal Carafe



1.9 litre Economy Thermal Carafe

Bunn-O-Matic® Corporation - 1400 Stevenson Drive Springfield, Illinois 62703 • 800-637-8606 • 217-529-6601 • Fax 217-529-6644 • www.bunn.com

BUNN® practices continuous product research and improvement. We reserve the right to change specifications and product design without notice. Such revisions do not entitle the buyer to corresponding changes, improvements, additions or replacements for previously purchased equipment.

All dimensions shown in inches.

9/07 © Bunn-O-Matic Corporation