

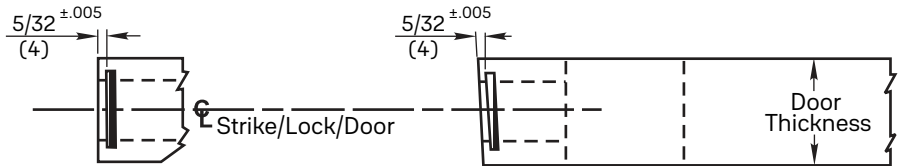
Notes:

1. Backset is measured from centerline of bevel which is centerpoint of door thickness.
2. Door prep with 2-3/4" (70) backset meets ANSI/BHMA A156.115 for steel doors and A156.115W for wood doors plus through bolt holes shown.
3. Dimensions given in inches and (mm).
4. 1-1/4" strike lip suits frame for 1-3/4" thick door.

TEMPLATE CROSS REFERENCE	
DESCRIPTION	TEMPLATE
371 T Strike	7102-0005
70S Full Lip Strike	7102-0006

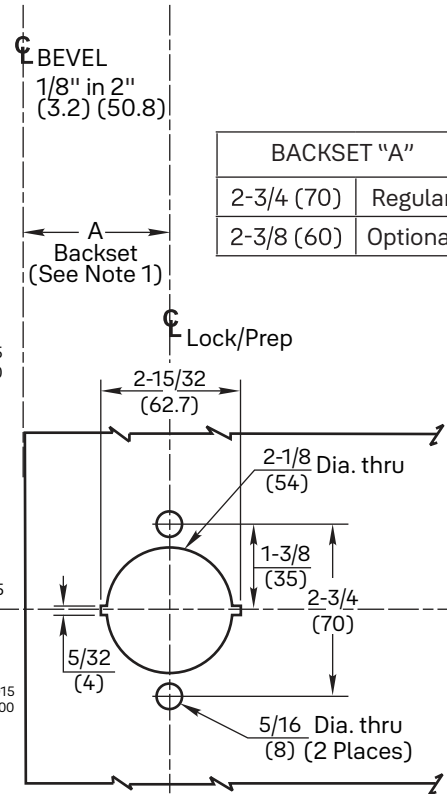
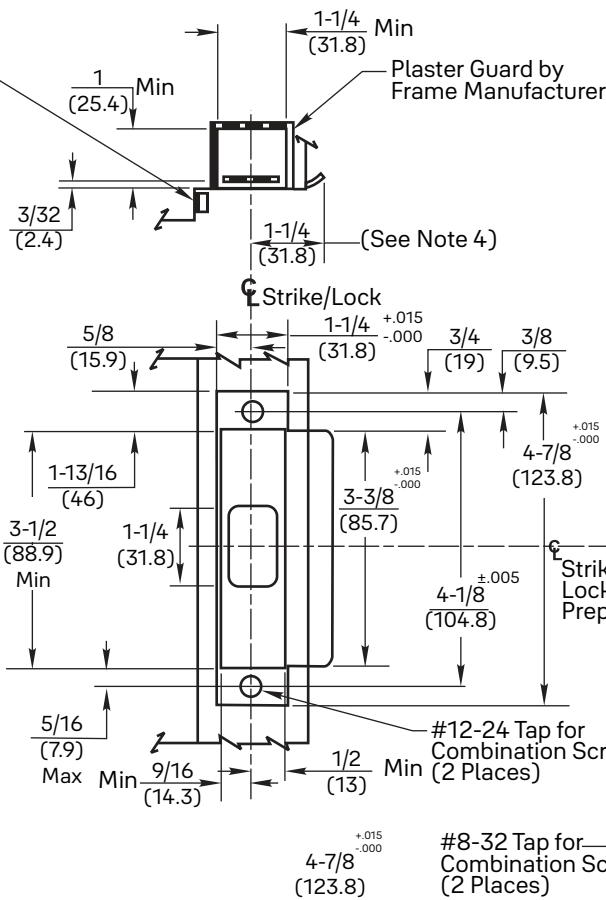
SQUARE EDGE

BEVELED EDGE



CAUTION: DOOR AND FRAME MANUFACTURER

When door gasketing or silencers are used, proper allowances must be made for strike location to maintain a common centerline with lock and door as shown so that bolt will freely enter strike.



BACKSET "A"	
2-3/4 (70)	Regular
2-3/8 (60)	Optional

FRAME DETAIL
ANSI Strike (Regularly Furnished)

DOOR DETAIL

TOLERANCES	
Inches	(mm)
.005	(.127)
.015	(.381)

RESPONSIBILITY

DOOR AND FRAME MANUFACTURERS ARE RESPONSIBLE FOR PROVIDING ADEQUATE CONSTRUCTION OR REINFORCEMENTS FOR PROPER INSTALLATION OF HARDWARE SHOWN. ALL ARCHITECTURAL BUILDERS HARDWARE MUST BE INSTALLED ON PROPERLY REINFORCED DOORS AND FRAMES, REGARDLESS OF TYPE, MATERIAL, OR METHOD OF CONSTRUCTION.

YPL Series Indicator Lock
2-3/8" and 2-3/4" Backsets
HM or WD Doors



1-800-438-1951
www.yalecommercial.com

SUPERSEDES	DO NOT SCALE DRAWING	
TEMPLATE NUMBER	SHEET	DATE
7150-0124	1 of 1	08/22

Experience a safer and more open world

Copyright © 2022, ASSA ABLOY Access and Egress Hardware Group, Inc. All rights reserved. Reproduction in whole or in part without the express written permission of ASSA ABLOY Access and Egress Hardware Group, Inc. is prohibited. Patent pending and/or patent www.assaabloydss.com/patents.