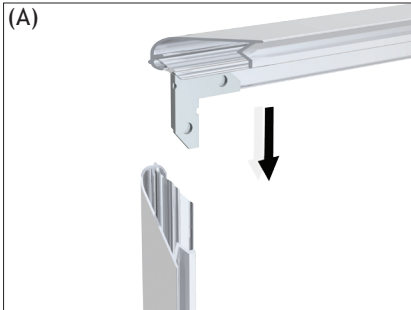


# Easy-Open™ Snapframe

## Applicable Products:

Easy Open Snapframes

1. Slide brackets into frame slots (fig. A).
2. Secure brackets in frame by tightening screws provided (fig. B).
3. Attach back panel to frame using tape provided (optional).
4. Place graphic in frame and snap frame over graphic to secure (fig. C).



Back panel may not be included on some models.

