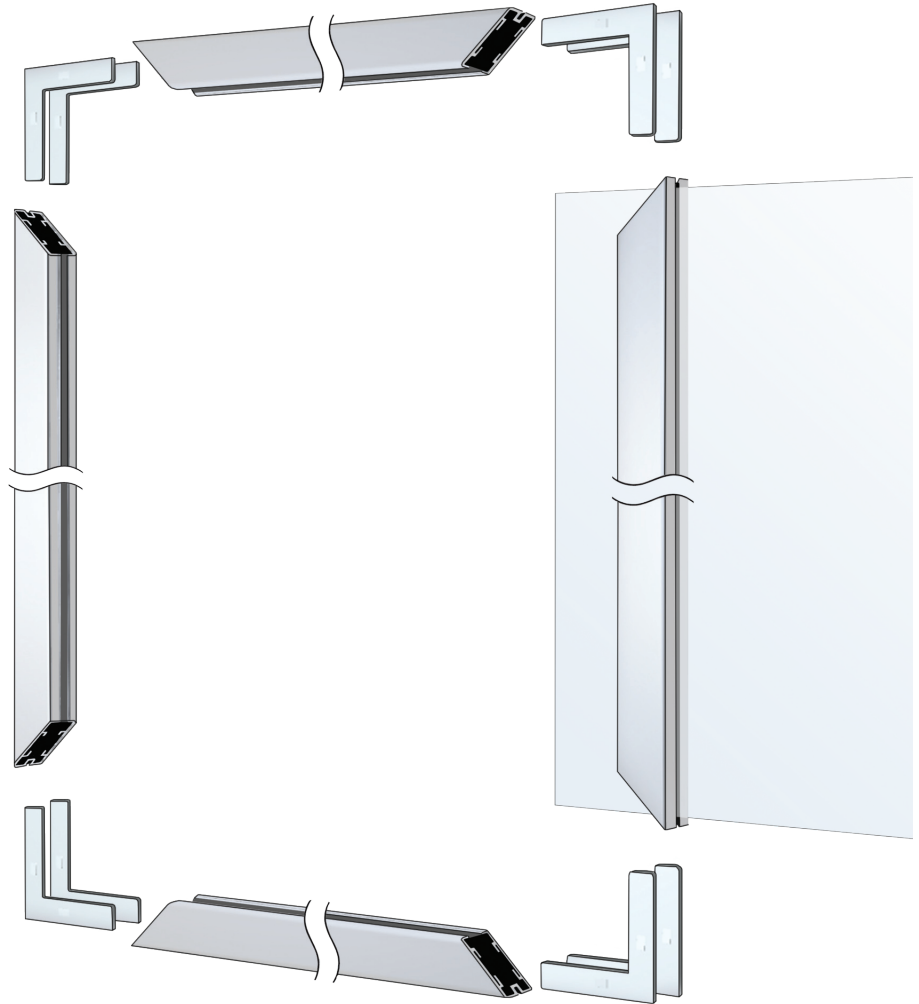
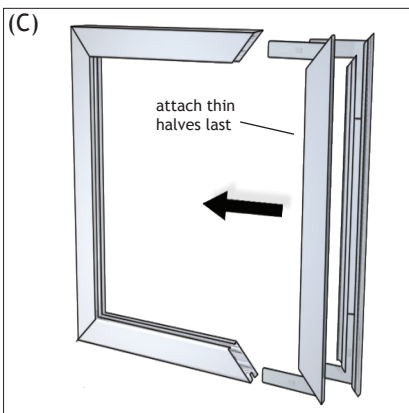
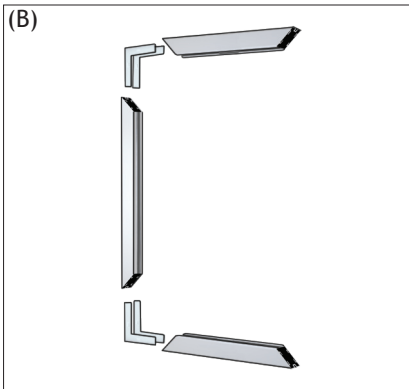
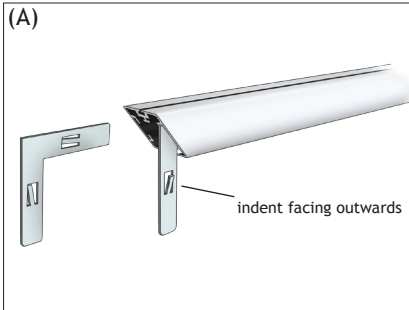


Perfex™ Hanging Signframe Kits

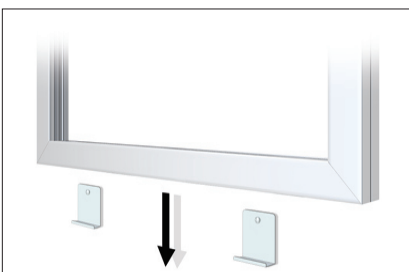
1. Slide corner brackets into frame with raised indentations facing outwards (fig. A).
2. Press frame parts firmly into place (fig. B), but attach two thin halves last (fig. C).
3. Slide graphic through open slot on side of frame.
4. Determine hanging option.

Applicable Products:

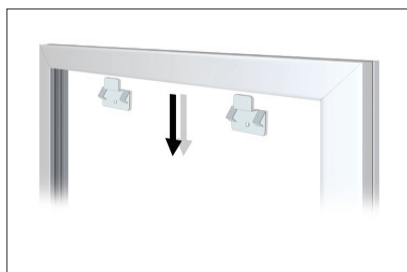
PX1, PX2, PX3, PX4,
PX5, PX6



Wall Mount Bottom



Wall Mount Top



Hanging Clips

