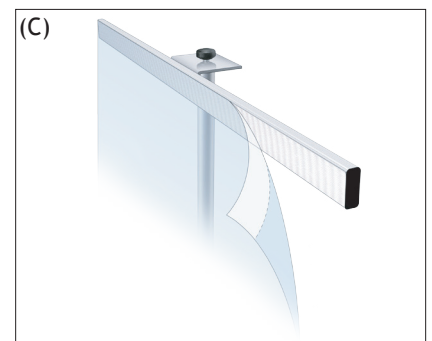
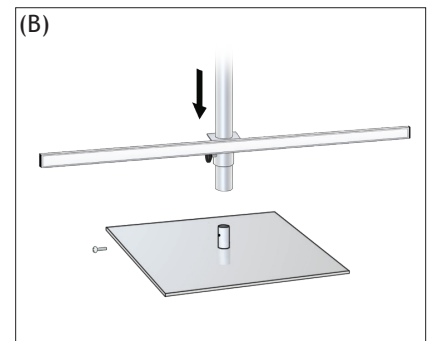
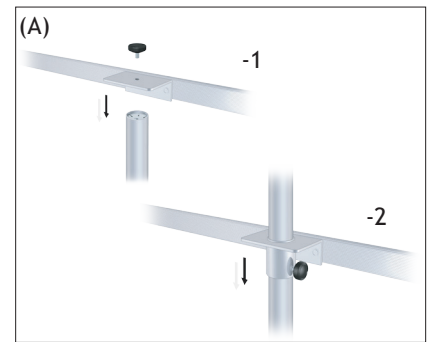
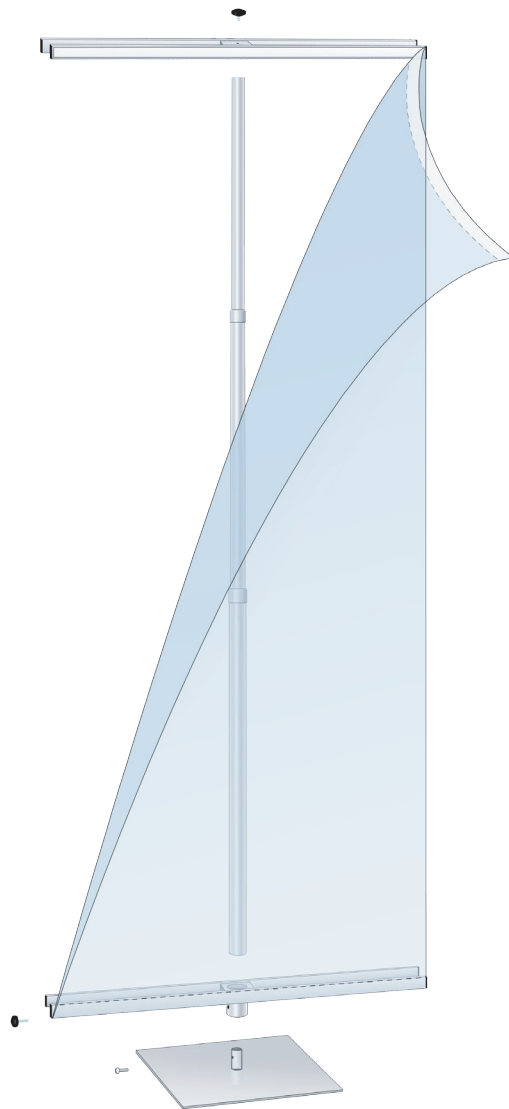


Portable Graphic Stands

1. Screw top holder onto pole using knob (fig. A-1).
2. Slide bottom holder onto large diameter pole and secure with knob (fig. A-2).
3. Screw pole onto base using flathead screw (fig. B).
4. Attach banner using Velcro® hook and loop (fig. C).
5. Raise to desired height.

Applicable Products:

BV-2
BV-3
BV-4



BASES

