



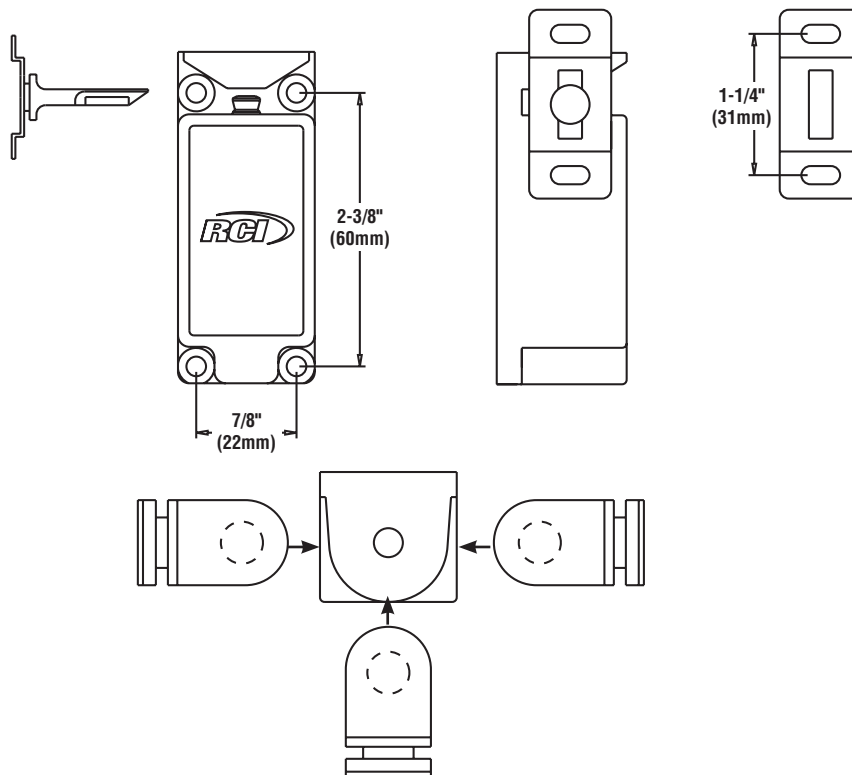
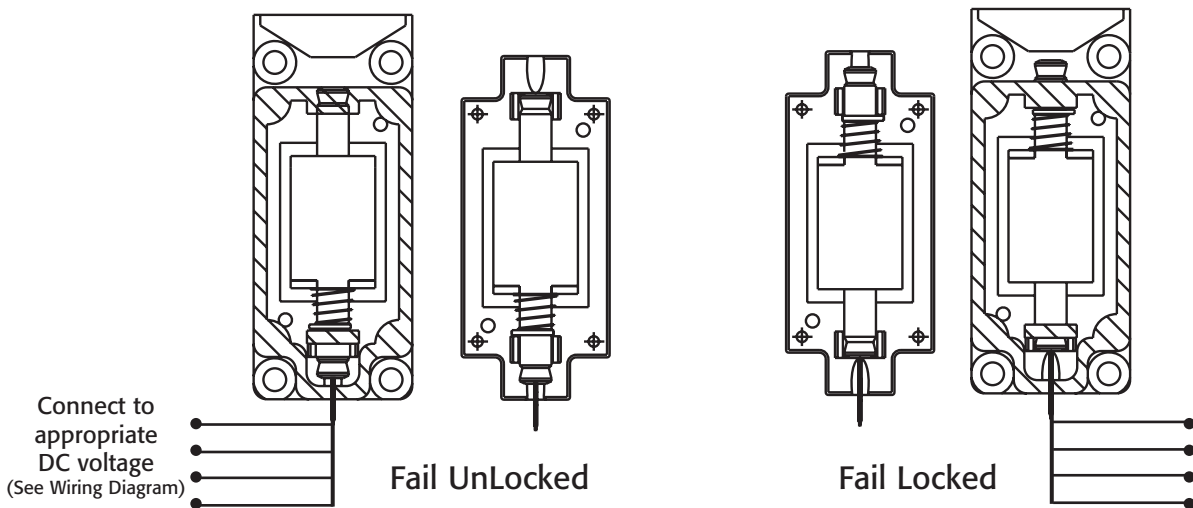
RUTHERFORD CONTROLS
A DORMA Group Company

Cabinet Locks

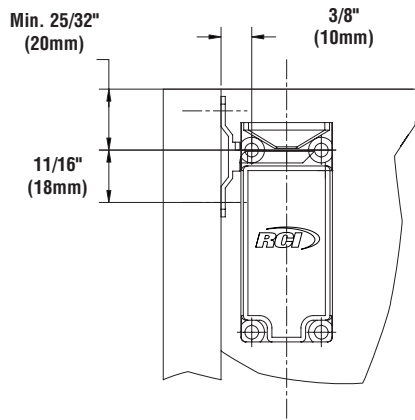
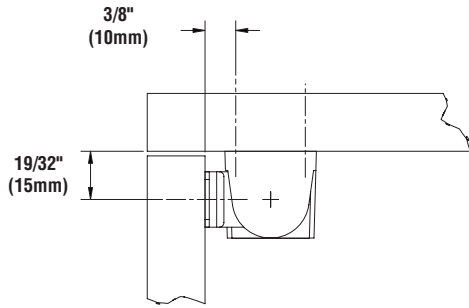
In or Out... we make it Easy!

Instructions For Lock Mode Change

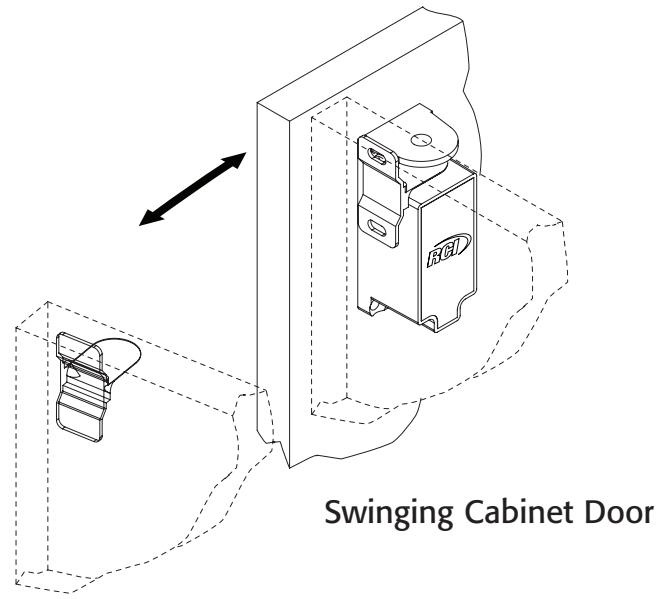
1. Remove the 4 screws on the bottom.
2. Remove base plate and solenoid.
3. Turn assembly 180° and re-route wires to cut out.
4. Install into housing and insert the 4 screws.



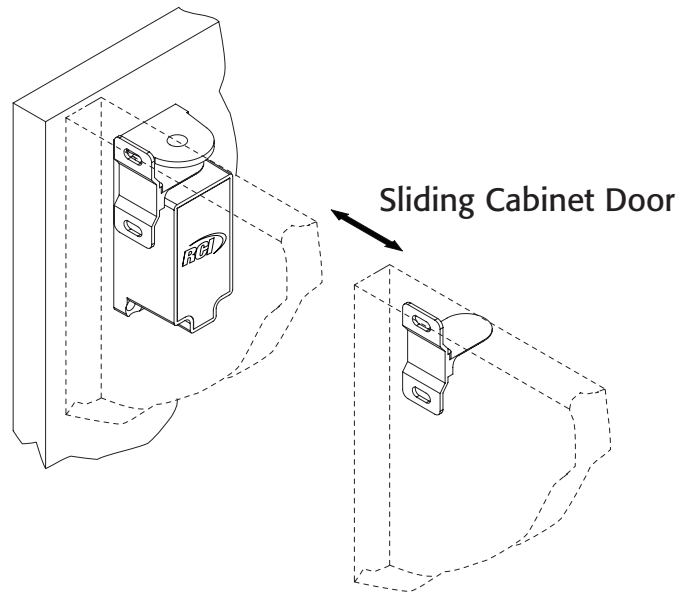
3513 Installation Instructions (Continued)



Installation Dimensions



Swinging Cabinet Door



Sliding Cabinet Door

Parts Checklist

QTY	Description
4	Flat Head Wood Screws
2	Pan Head Wood Screws

Cabinet Lock Dual Voltage Wiring Diagram

