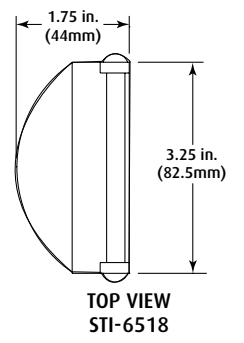
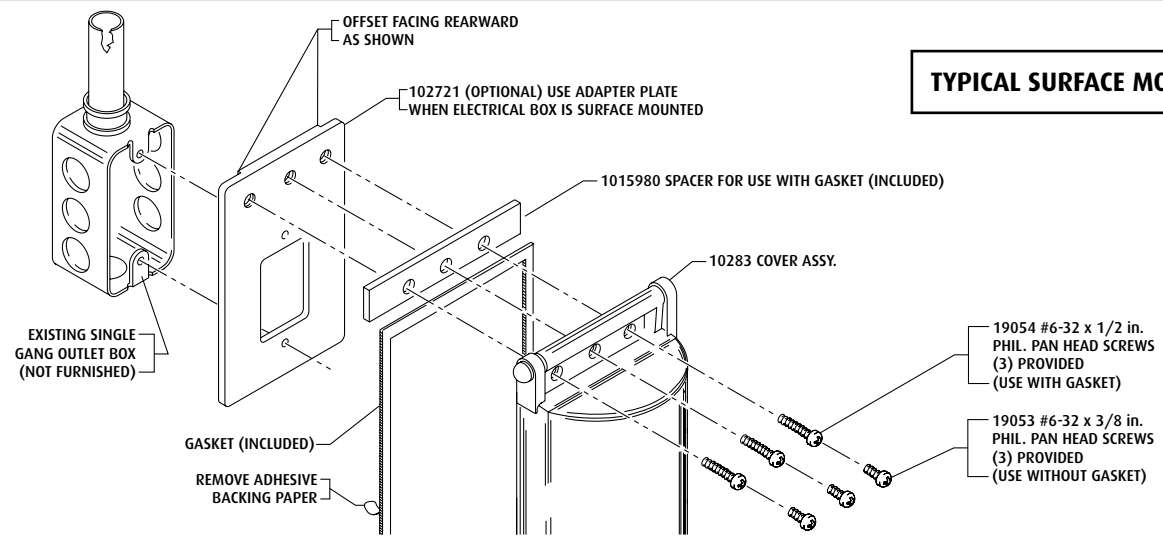




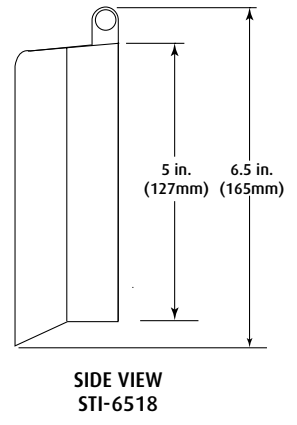
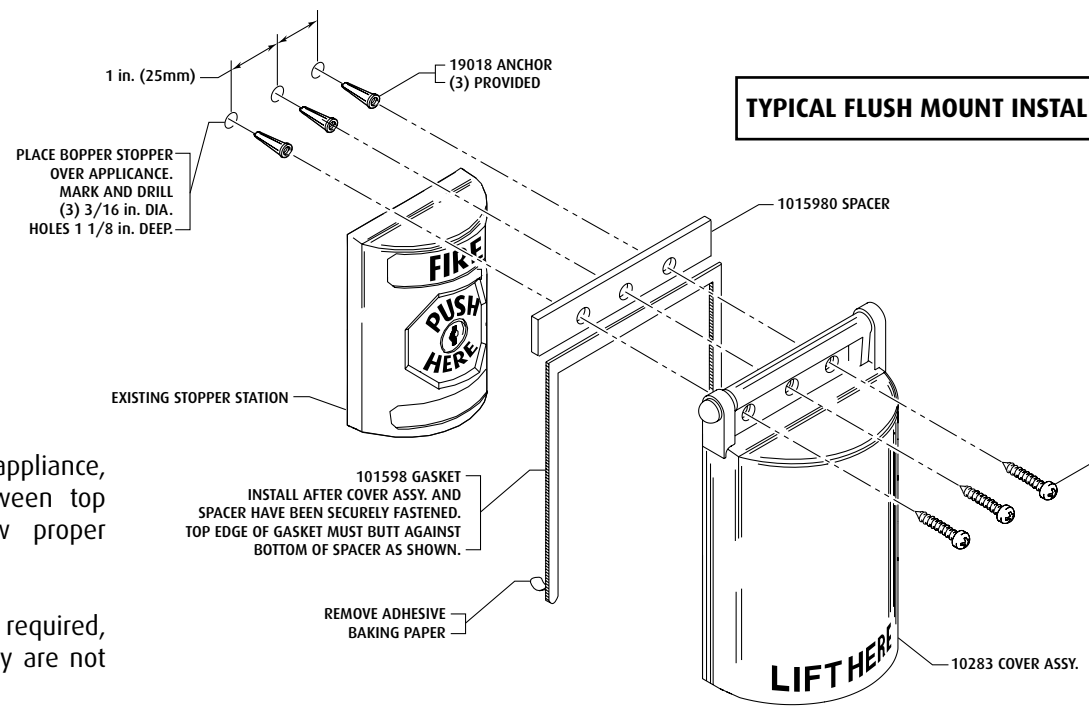
Safety Technology International, Inc.
 2306 Airport Road • Waterford, Michigan 48327-1209
 Phone: 248-673-9898 • Fax: 248-673-1246
 Toll Free: 800-888-4784 • E-mail: info@sti-usa.com
 Web: www.sti-usa.com

Safety Technology International (Europe) Ltd.
 Unit 49G Pipers Road • Park Farm Industrial Estate • Redditch
 Worcestershire • B98 0HU • England • Tel: 44 (0) 1527 520 999
 Fax: 44 (0) 1527 501 999 • Freephone: 0800 085 1678 (UK only)
 E-mail: info@sti-europe.com • Web: www.sti-europe.com

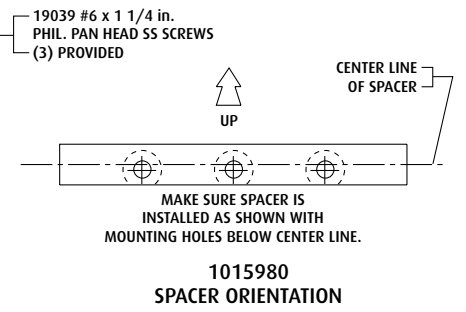
TYPICAL SURFACE MOUNT INSTALLATION



TYPICAL FLUSH MOUNT INSTALLATION



PRODUCT DIMENSIONS (INSIDE DIMENSIONS)



NOTE
 When installing cover, over appliance, leave 1/4 in. clearance between top surface and hinge to allow proper clearance when cover is lifted.

If weather protection is not required, discard gasket and spacer, they are not needed.

INSTALLATION OF STI-6518 BOPPER STOPPER®
 All specifications and information shown were current as of publication and are subject to change without notice.