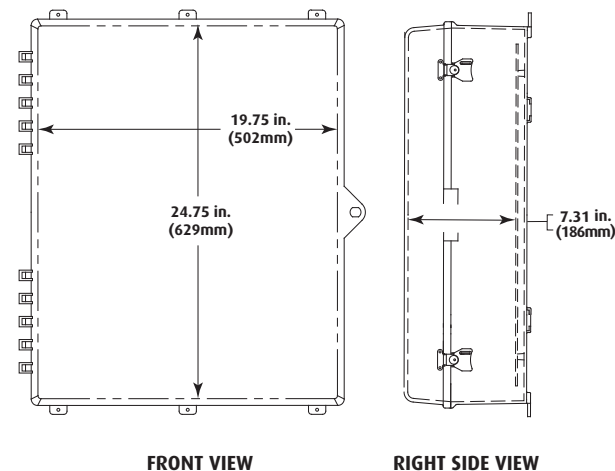
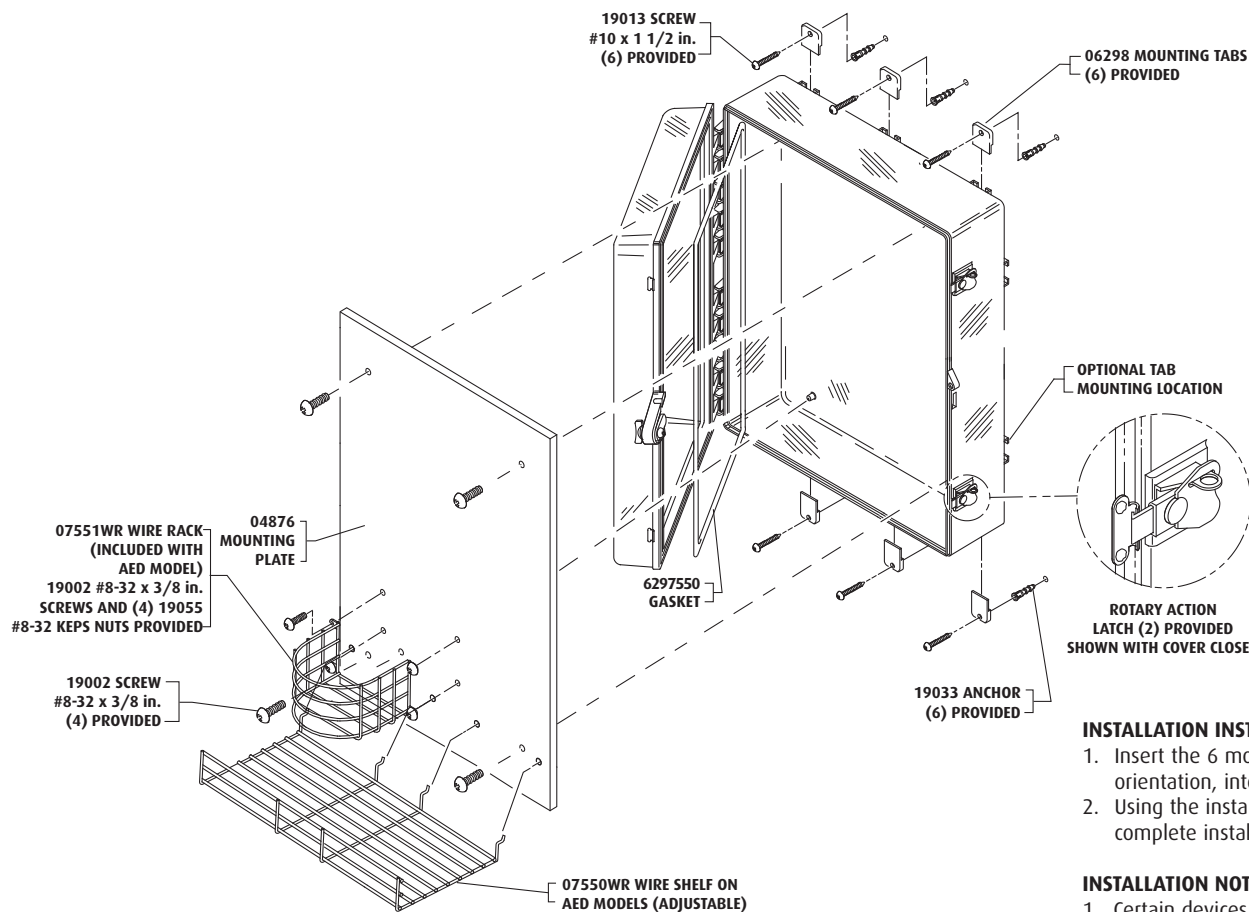




Safety Technology International, Inc.
 2306 Airport Road • Waterford, Michigan 48327-1209
 Phone: 248-673-9898 • Fax: 248-673-1246
 Toll Free: 800-888-4784 • E-mail: info@sti-usa.com
 Web: www.sti-usa.com

Safety Technology International (Europe) Ltd.
 Unit 49G Pipers Road • Park Farm Industrial Estate • Redditch
 Worcestershire • B98 0HU • England • Tel: 44 (0) 1527 520 999
 Fax: 44 (0) 1527 501 999 • Freephone: 0800 085 1678 (UK only)
 E-mail: info@sti-europe.com • Web: www.sti-europe.com



INSTALLATION INSTRUCTIONS:

1. Insert the 6 mounting tabs for vertical orientation, or 4 mounting tabs for horizontal orientation, into the backbox slots as shown.
2. Using the installed tabs as a template, mark and drill 6 or 4, 1/4 in. diameter holes and complete installation.

INSTALLATION NOTES:

1. Certain devices installed in this enclosure may require supervised high and low temperature limits with the listed operational range of the installed device.
2. When replacing the gasket, lubricate it with victaulic brand coupling lubricant only.
3. All conduit fittings must be sealed per NEC 70.

CLEANING INSTRUCTIONS:

Rinse with water to remove abrasive dust and dirt. Wash with soap or mild detergent using a soft cloth. (Do not scrub or use brushes or abrasives.) Rinse once more, then dry using a soft cloth or chamois.

To remove grease or wet paint, rub gently with a cloth wetted thoroughly with naphtha (do not use razor blades or gasoline) then wash and rinse.

Electronic warranty form at www.sti-usa.com/wc14

INSTALLATION OF STI-7550, STI-7551 & STI-7551AED PROTECTIVE CABINET

All specifications and information shown were current as of publication, and are subject to change without notice.

7550_51S APRIL 2005



UEHX
UL 50
UL 2017
NEMA 4X