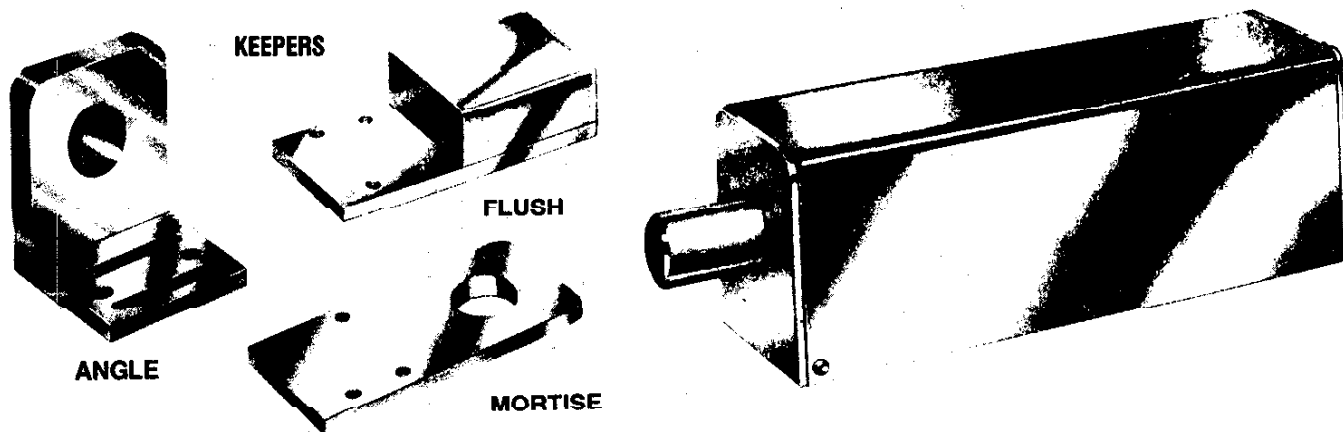


# DEADBOLT ELECTRIC LOCKS

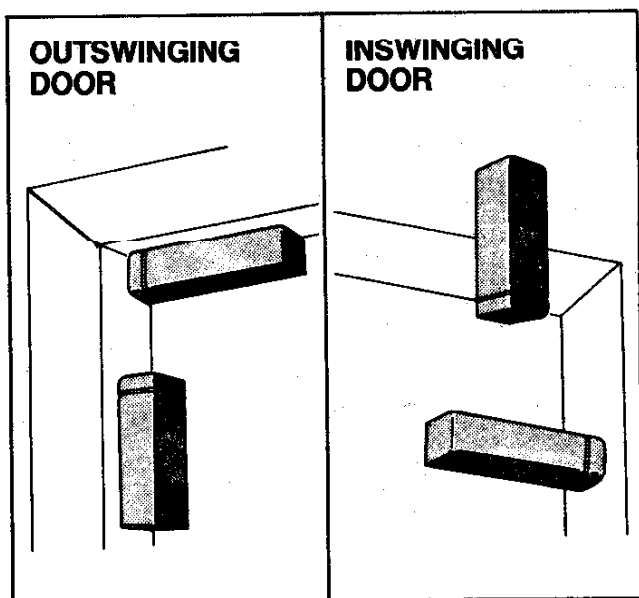
## Lektrolok – Models 103 & 104RA

(includes all keepers)



A compact unit designed to fit narrow stile doors. This lock comes complete with keepers which makes it simple to install on all types of doors or windows whether single, pairs, double acting or overhead - either inswinging or outswinging. When the lock is aligned with the keeper the bolt projects into the keeper thus locking the door. The bolt is retracted and the door unlocked by means of a remote switch, a key switch, time programmer or other electrical contact which

interrupts the power. Ideally suited to programmed locking and unlocking of laundromats, lobby doors of public buildings, or other unattended areas. Use of a lighted push button switch at the door (Alarm Lock Model 191) assures that people inside the building can exit after lock-up time; the door will relock automatically after exit. May be tied in with smoke detectors or fire alarm systems for automatic unlocking in a fire emergency.



### MODELS AVAILABLE:

Model 103 is our standard "fail safe" unit which projects the bolt only while power is "on". When the power is off the bolt retracts. Model 104RA (reverse action) unlike our standard unit is "fail secure" and will project the bolt only when the power is "off". When the power is "on" the bolt retracts.

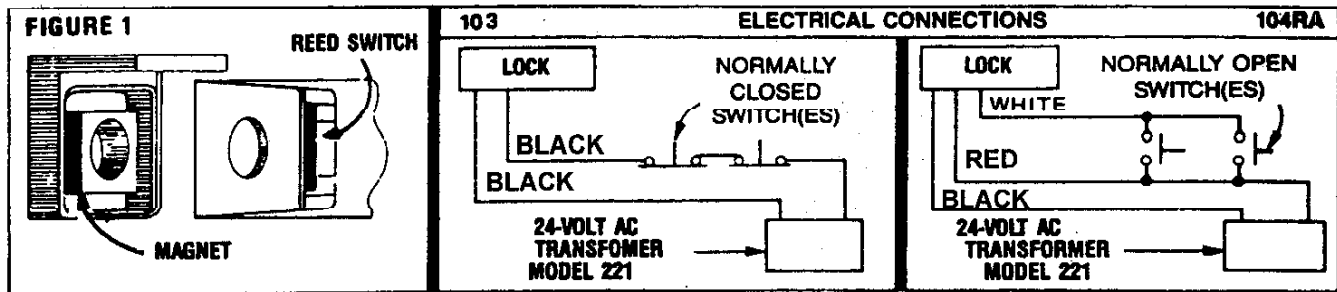
### REMOTE MONITORING OPTION MODEL 88:

This will report keeper alignment and bolt projection to a remote monitoring console such as our Models 5000 and 2002. For this option order Lock Model 103 x 88 ("fail-safe") or Model 104 x 88 ("fail-secure").

# INSTALLATION INSTRUCTIONS

**Note:** The bolt will not project unless the magnet is opposite the reed switch. The template supplied serves the majority of installations. If your installation is different, always maintain a 1/8" gap between the face of the lock and the keeper. The lock should be mounted on the door frame for ease of wiring.

Before mounting the lock provide for the electric wires to the lock. After the lock and keeper are installed, place the magnet onto the keeper slot which faces the reed switch in the lock as shown in figure 1. After the magnet is in place affix the aluminum plate into the keeper recess. **Note:** Locks with the #88 monitor option contain two magnets in the keeper. The second magnet is installed in the keeper slot opposite the first magnet.



Follow the above schematic for one or more switches as required.

**Note:** Model 103 requires switches to be installed in series. This model is normally energized and normally runs hot to the touch.

Model 104RA Reverse Action requires switches to be installed in parallel.

## MONITOR CONNECTION FOR MODEL #103X88 & #104X88 OPTION



- (1) CONNECT BLACK WIRE FROM SW# 1 TO BLUE WIRE OF SW# 2.
- (2) CONNECT WHITE WIRE FROM SW# 1 TO "T" (TONE) TERMINAL OF CONSOLE.
- (3) CONNECT WHITE WIRE FROM SW# 2 TO "G" (GROUND) TERMINAL OF CONSOLE.
- (4) CONNECT "L" & "T" TERMINALS TOGETHER.

- (1) CONNECT BLACK WIRE FROM SW# 1 TO WHITE WIRE OF SW#2.
- (2) CONNECT WHITE WIRE FROM SW# 1 TO "T" (TONE) TERMINAL OF CONSOLE.
- (3) CONNECT GREEN WIRE FROM SW# 2 TO "G" (GROUND) TERMINAL OF CONSOLE.
- (4) CONNECT "L" & "T" TERMINALS TOGETHER.

## THREE WIRE CONNECTION TO OUR MODEL #2002 OR #5006 OR #5012

- (1) CONNECT BLACK WIRE FROM SW#1 TO "T" (TONE) TERMINAL OF CONSOLE.
- (2) CONNECT BLUE WIRE FROM SW# 2 TO "L" (LIGHT) TERMINAL OF CONSOLE.
- (3) CONNECT WHITE WIRES FROM SW# 1 & SW # 2 TO "G" (GROUND) TERMINAL OF CONSOLE.

- (1) CONNECT BLACK WIRE FROM SW# 1 TO "T" (TONE) TERMINAL OF CONSOLE.
- (2) CONNECT WHITE WIRE FROM SW# 2 TO "L" (LIGHT) TERMINAL OF CONSOLE.
- (3) CONNECT WHITE WIRE FROM SW# 1 & GREEN WIRE FROM SW# 2 TO "G" (GROUND) TERMINAL OF CONSOLE.

## Specifications:

**DIMENSIONS:** 13 1/4" W x 6 3/4" L (including keeper)  
Bolt diameter is 5/8" and projects 5/8"

**FINISH:** Lock and keeper — painted aluminum  
Cover — US32D, stainless steel.

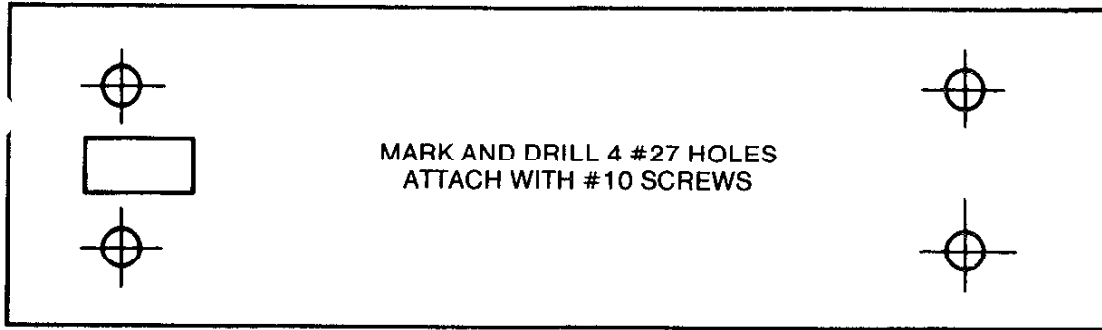
**WEIGHT:** 3 pounds (including keepers)

**POWER REQUIREMENTS:** 600mA @ 24Vac (103, 104RA)  
(12Vac version available at extra cost)

**LOCKING BOLT:** Actuated by a continuous-duty solenoid.

**Note:** These devices operate from AC power only.

# INSTALLATION TEMPLATE FOR #103 & #104 LEKTROLOK



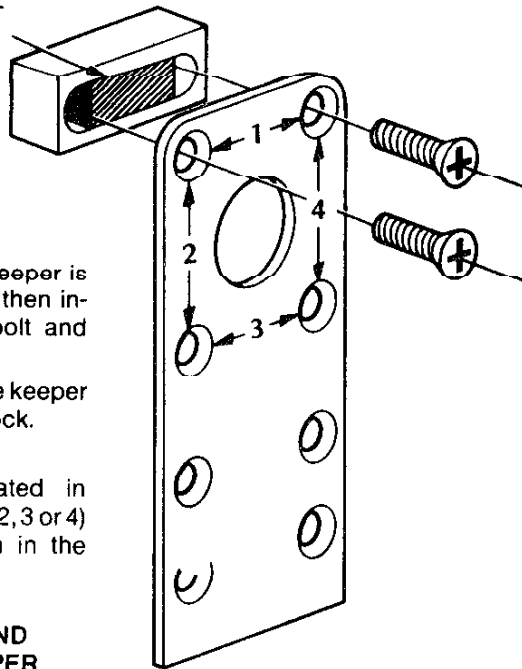
RIGHT HAND

FOLD 90° ON DOTTED LINE

HEADER  
DOOR

## FLUSH AND MORTISE KEEPER INSTALLATION

MAGNET



When mortise or flush keeper is used attach keeper first then install lock so that the bolt and keeper are aligned.

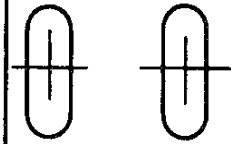
Install magnet on mortise keeper using small retaining block.

### NOTE

Magnet must be located in proper position (either 1, 2, 3 or 4) next to the reed switch in the lock.

USE #30 DRILL AND ATTACH THIS KEEPER WITH 4 #8 SCREWS

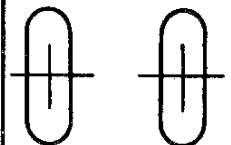
MARK AND DRILL 2 #27 HOLES



ANGLE  
KEEPER

MOUNT WITH #10 SCREWS

MARK AND DRILL 2 #27 HOLES

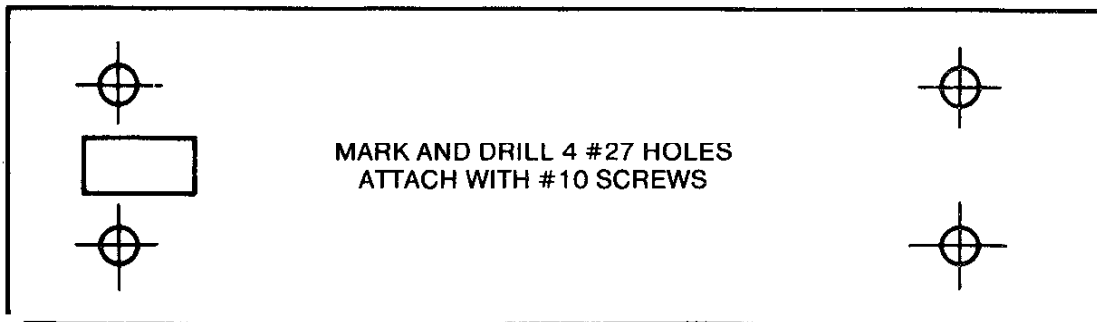


ANGLE  
KEEPER

MOUNT WITH #10 SCREWS

FOLD 90° ON DOTTED LINE

DOOR  
HEADER



LEFT HAND