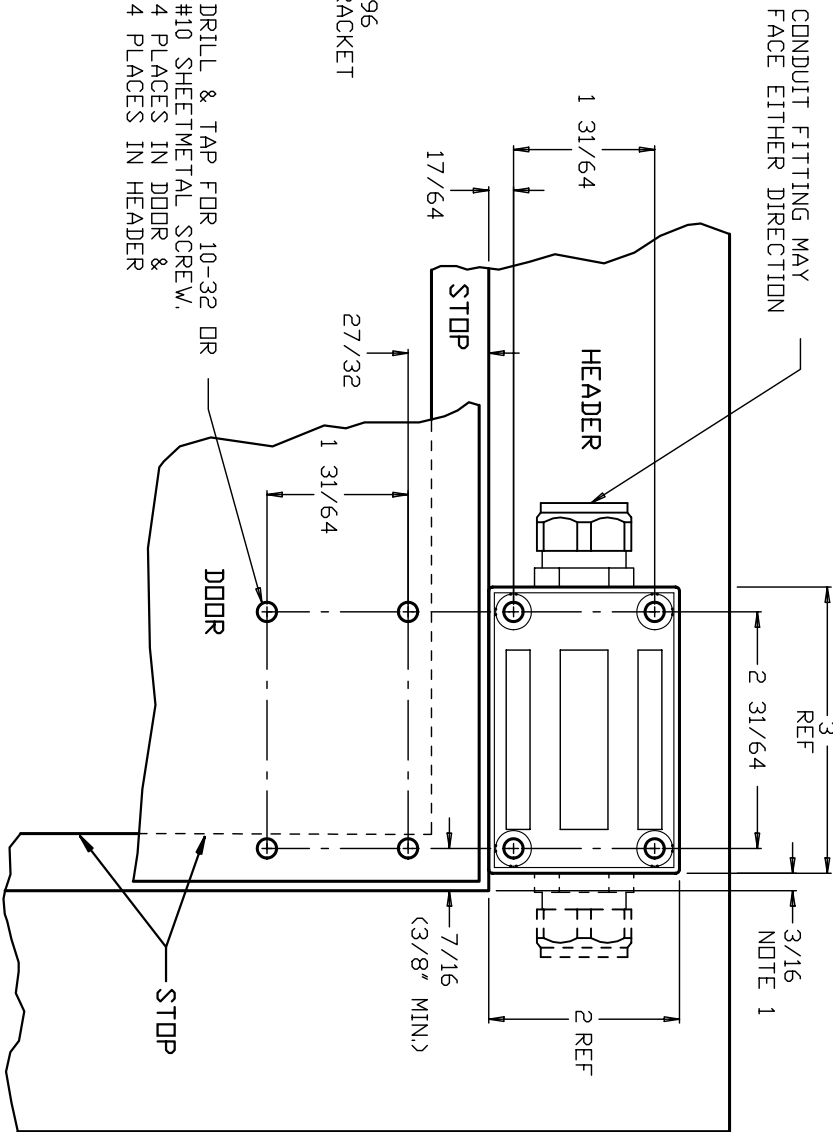
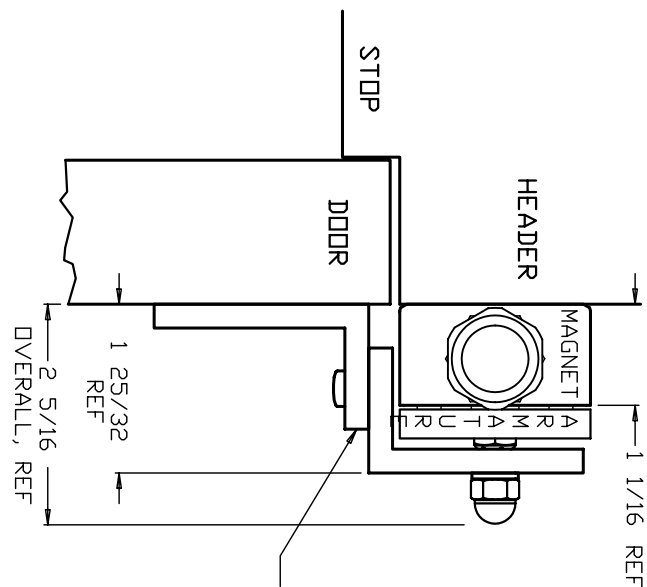


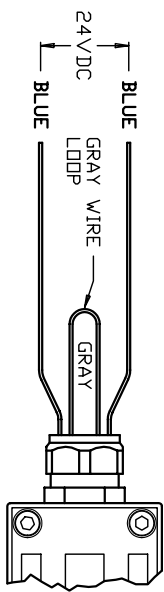
BEFORE INSTALLING, READ MOUNTING INSTRUCTIONS THOROUGHLY!



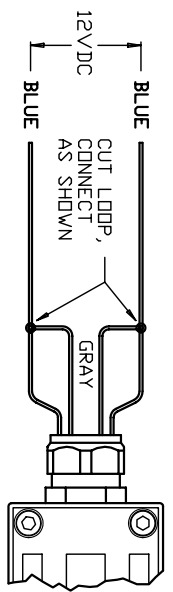
DRILL & TAP FOR 10-32 DR #10 SHEETMETAL SCREW, 4 PLACES IN DOOR & 4 PLACES IN HEADER

DUAL VOLTAGE MAGNET: WIRING DETAIL

24 VOLT CONNECTION (FROM FACTORY)



12 VOLT CONNECTION (FIELD MODIFIED)




SPECS:  
170 mA MAX @ 24VDC  
340 mA MAX @ 12VDC

- NOTES:
1. A TYPICAL OFFSET FROM SIDE JAMB IS SHOWN. MINIMUM OFFSET IS 1/8", AND WHILE BEST HOLDING FORCE EFFECT IS OBTAINED NEAREST THE DOOR EDGE, THE UNIT MAY BE LOCATED FURTHER AWAY IF NECESSARY FOR A FIRM MOUNTING.

(NC)	(NC)	(NC)
REV.	REVISION DESCRIPTION	DATE

TITLE		DRAWN		DATE	SCALE	TD FIT	CAD FILE	SHEET	OF	SIZE
TJMM300 TOP JAMB MOUNT WITH 3111196 Z-BRACKET FOR INSWINGING DOOR INSTALLATION		GSG	5/2/02	XX/XX/XX	TT	JMM300-1	1	1	A	


  
**DORTRONICS**  
 SYSTEMS, INC.

Dwg. No. **TTJMM300-1** REV. **NC**