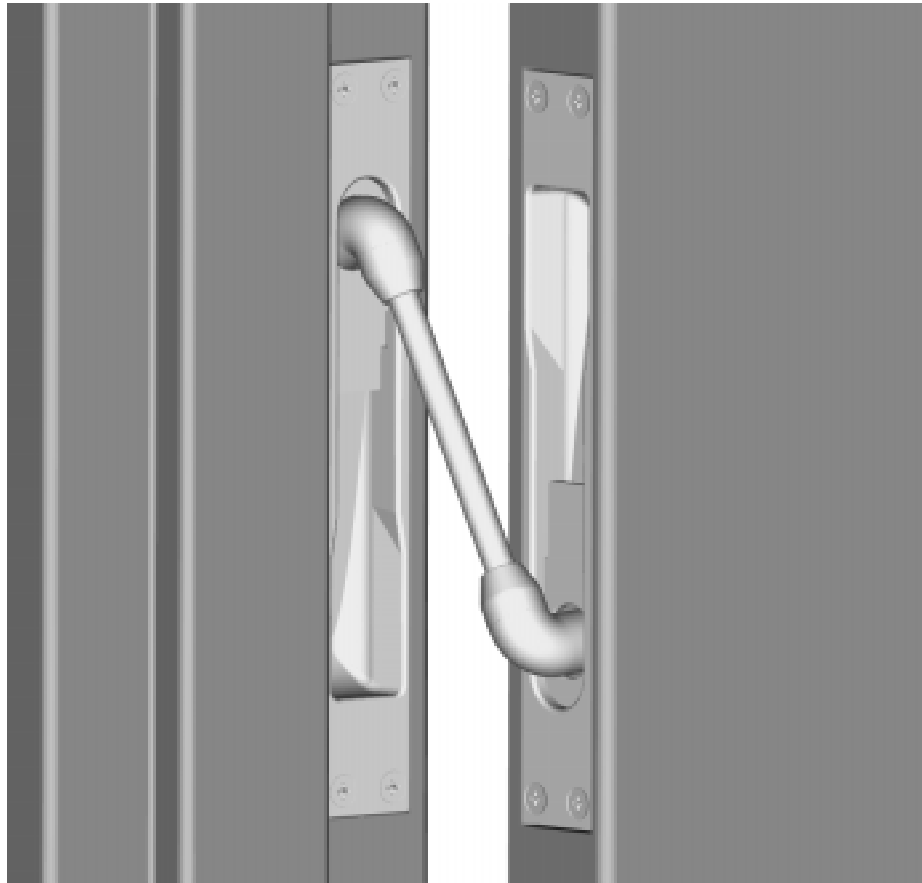


# VON DUPRIN

## Installation Instructions

### EPT2 & EPT10 Electric Power Transfer



**Read All Warnings  
Before Starting Installation!**

#### Index:

• General Information	2
• Specifications	2
• Warnings	2
• Parts List	3
• Tools Needed	3
• Installation	5
• Templates	8

Patent is Pending.

941071\_00(1)

**INGERSOLL-RAND**  
ARCHITECTURAL HARDWARE

## GENERAL INFORMATION

An EPT provides a wiring path from the door to the frame.

These instructions assume that a factory-prepped door and frame are being used. If the door and frame have not been factory-prepped, see the included template.

Before beginning the installation, review: Specifications, Warnings, Parts List and Tools Needed.

## SPECIFICATIONS

### Applications

EPT can be used for:

- Door Thickness - 1 3/4" minimum
- Note: The following specifications apply to a 1 3/4" thick door.*
- 0 - 180° opening with up to 5" butt hinges
  - 0 - 180° opening with up to 3/4" offset pivots
  - 0 - 130° opening with 5 1/2" butt hinges
  - 0 - 110° opening with 6" butt hinges

EPT **cannot** be used for:

- 1 1/2" offset pivots
- larger than 6" butt hinges
- pocket pivots
- swing clear hinges
- center hung door (center pivot)
- balanced door

### Electrical Ratings

EPT2

- Two 18AWG wires
- Max. Rating: 24VDC, 5A or 120VAC NEC Class 3

EPT10

- Ten 24AWG wires
- Max Rating: 24VDC, 1A

**READ ALL WARNINGS BEFORE STARTING INSTALLATION!**



Do not exceed rated specifications.



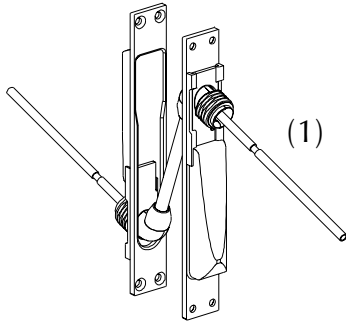
EPT must be installed in accordance with these instructions by a qualified electrician.



Wiring must be in accordance with all local codes and regulations.

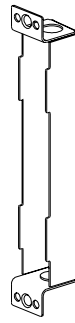
# PARTS LIST

An EPT contains the following parts:



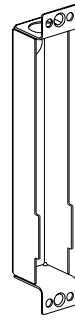
EPT Assembly

(1)



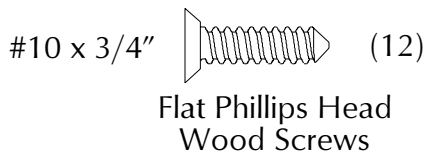
Door Backbox

(1)



Frame Backbox

(1)



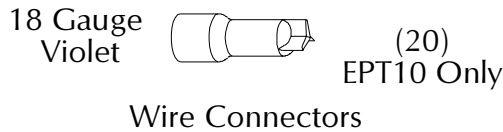
Flat Phillips Head Wood Screws

(12)



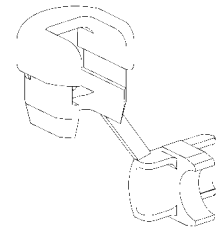
12 Gauge Yellow Wire Connectors

(4)



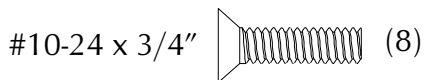
18 Gauge Violet Wire Connectors

(20)  
EPT10 Only



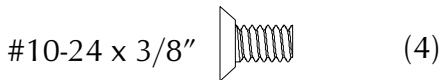
Strain Relief

(1)



Flat Phillips Head Machine Screw

(8)

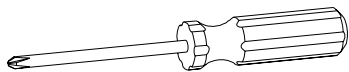


Flat Phillips Head Undercut Machine Screw

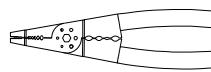
(4)

# TOOLS NEEDED

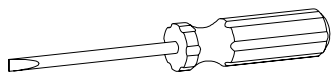
These are the necessary tools for installing an EPT into a factory-prepped door and frame.



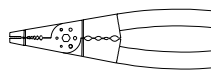
Phillips Screwdriver



Wire Stripper

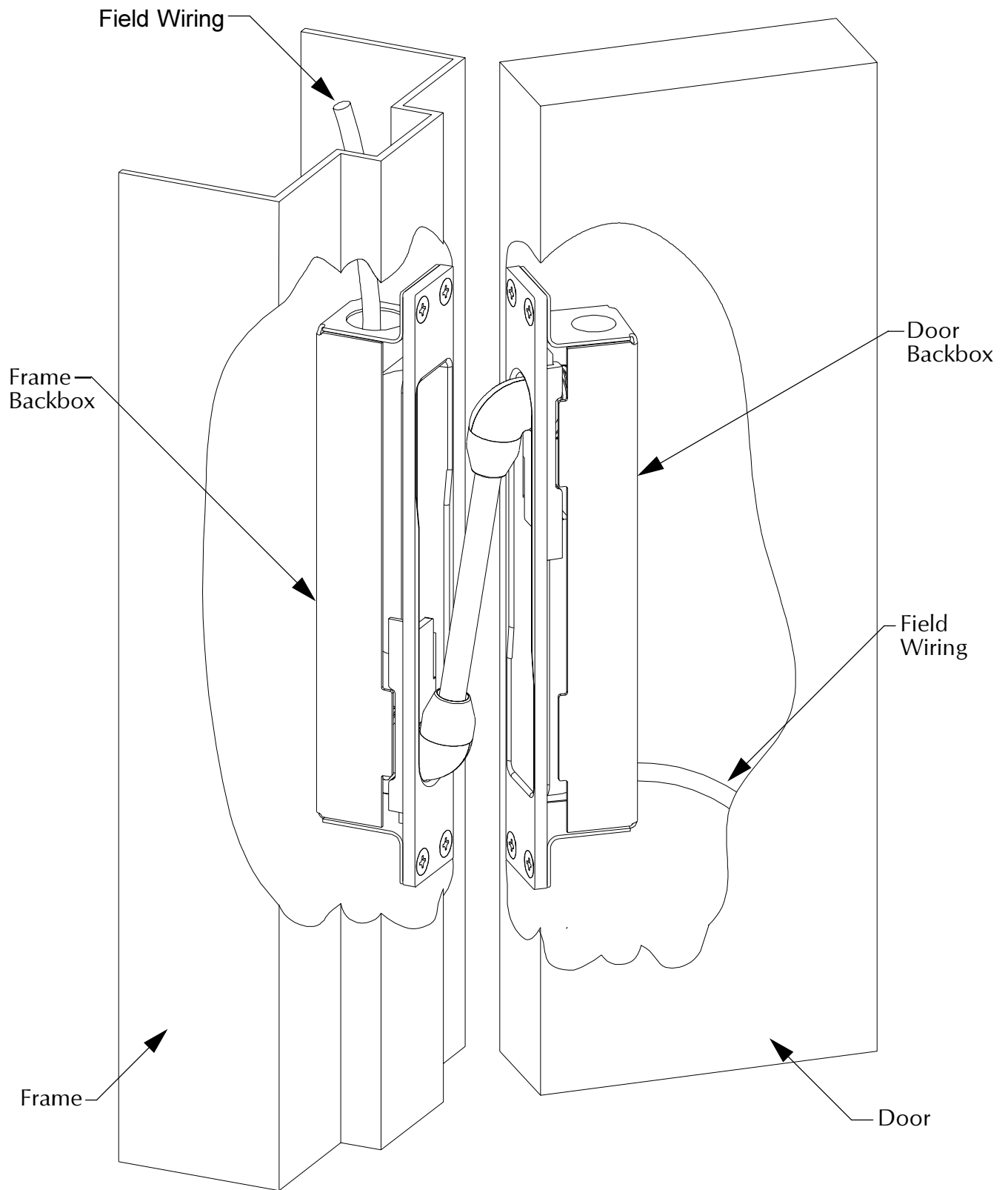


Straight-Blade Screwdriver



Crimping Tool

**Reference drawing for installed EPT.**



*Figure 1 . Complete Installation*

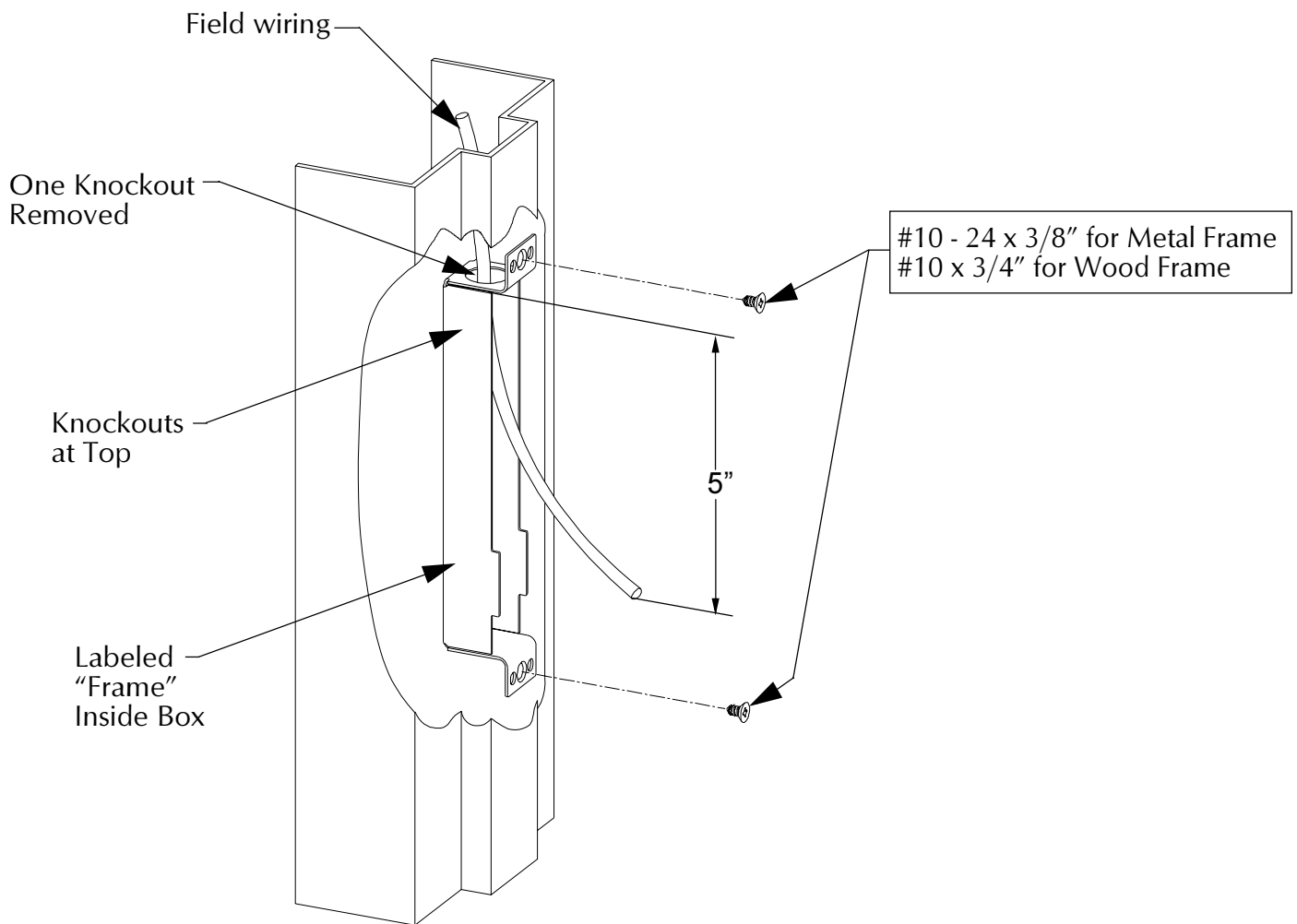
# INSTALLATION

## 1 Verify preparations.

- A. Verify door and frame preps match template.

## 2 Mount frame backbox.

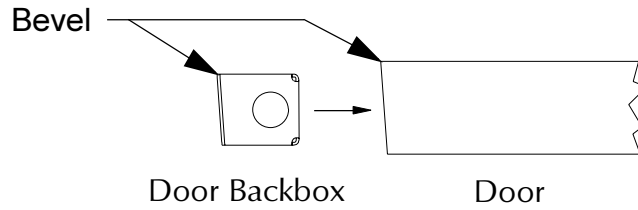
- A. Remove knockout from frame backbox.
- B. Connect 1/2" conduit (if used) to knockout. Install backbox with knockouts on top.
- C. Pull 5" of field wire through knockout.
- D. Mount frame backbox to frame using supplied screws.



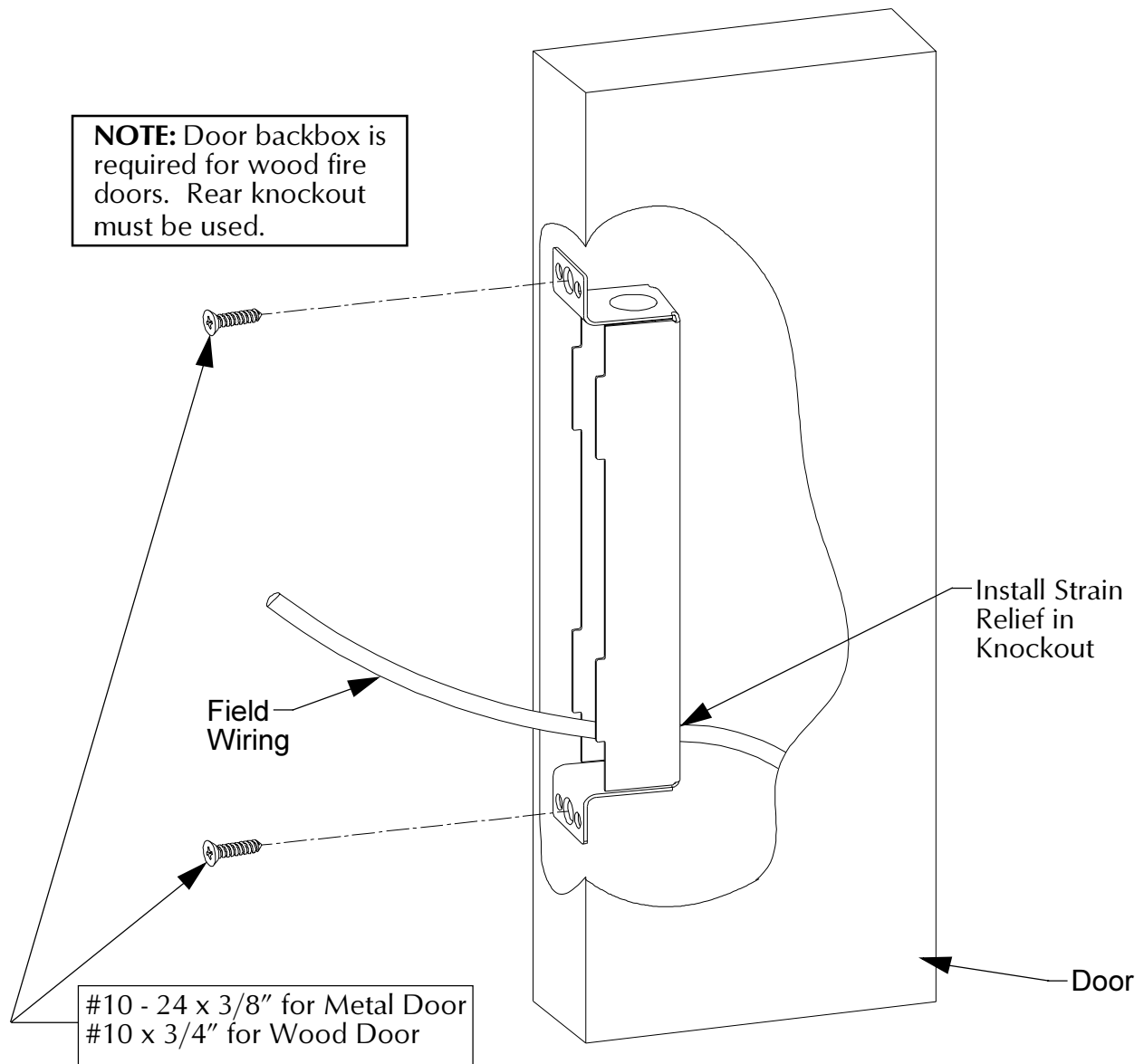
*Figure 2. Frame backbox mounting*

### 3 Mount door backbox.

- A. Orient bevel of door backbox to match bevel of door as shown in Figure 3A.
- B. Remove a bottom knockout (rear knockout must be used for wood door).
- C. Pull 5" of field wire through knockout. Install strain relief.
- D. Mount door backbox to door using supplied screws.



*Figure 3A. Beveled edge of door backbox.*



*Figure 3B. Door backbox mounting*

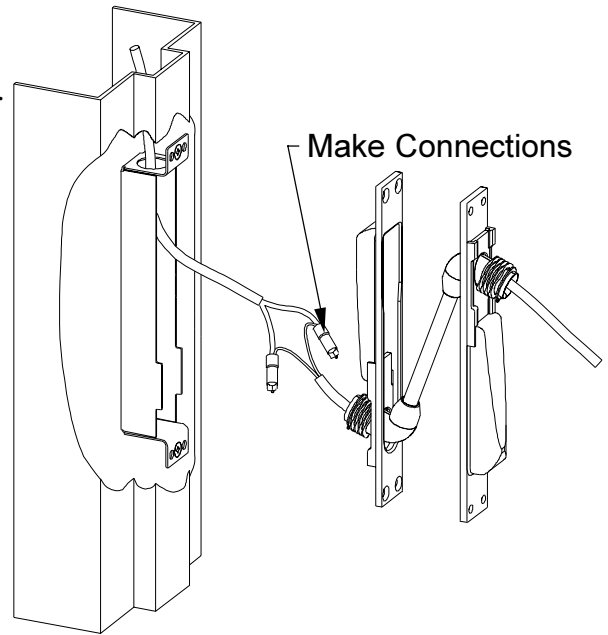
## 4 Wire connections.

- A. Use supplied crimp connectors to terminate EPT wires.
1. Yellow connectors for 12AWG connections.
  2. Violet connectors for 18AWG or smaller connections.

FRAME WIRE	EPT2 WIRE	DOOR WIRE
	Black	
	Black-Rib	

*Fill in tables during installation.*

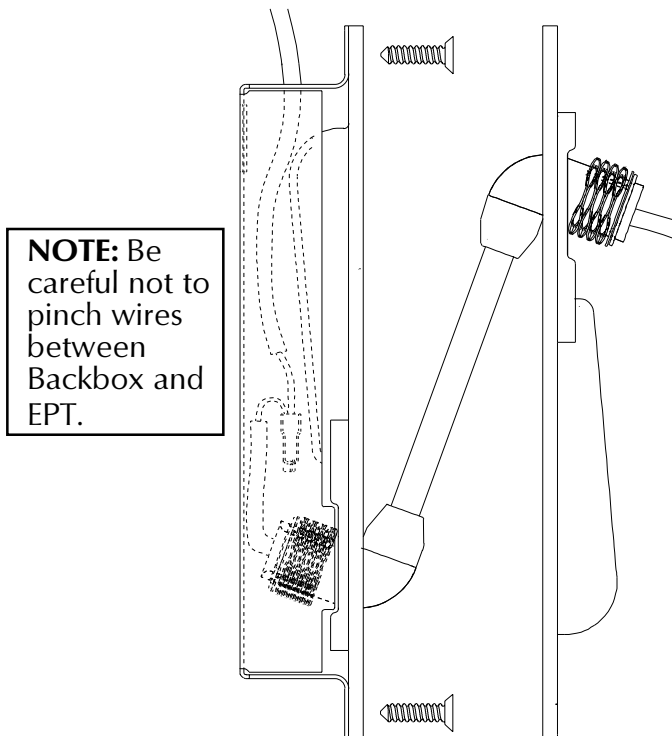
FRAME WIRE	EPT10 WIRE	DOOR WIRE
	Black	
	Brown	
	Red	
	Orange	
	Yellow	
	Green	
	Blue	
	Violet	
	Gray	
	White	



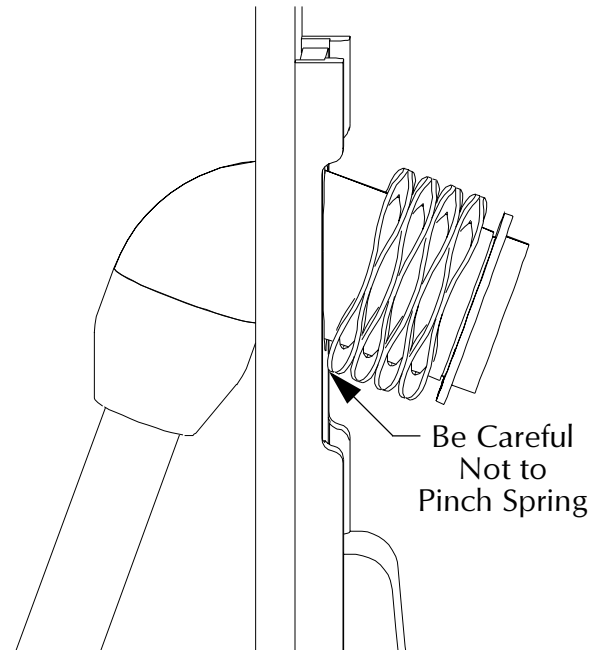
*Figure 4. EPT Wire Terminations*

## 5 Mount EPT assembly.

- A. Carefully tuck excess wire into backboxes as shown in Figure 5A.
- B. Fasten EPT assembly to frame using four #10 x 3/4" machine or wood screws.
- C. Repeat Steps **4** and **5** for door side.



*Figure 5A. Mount EPT assembly*

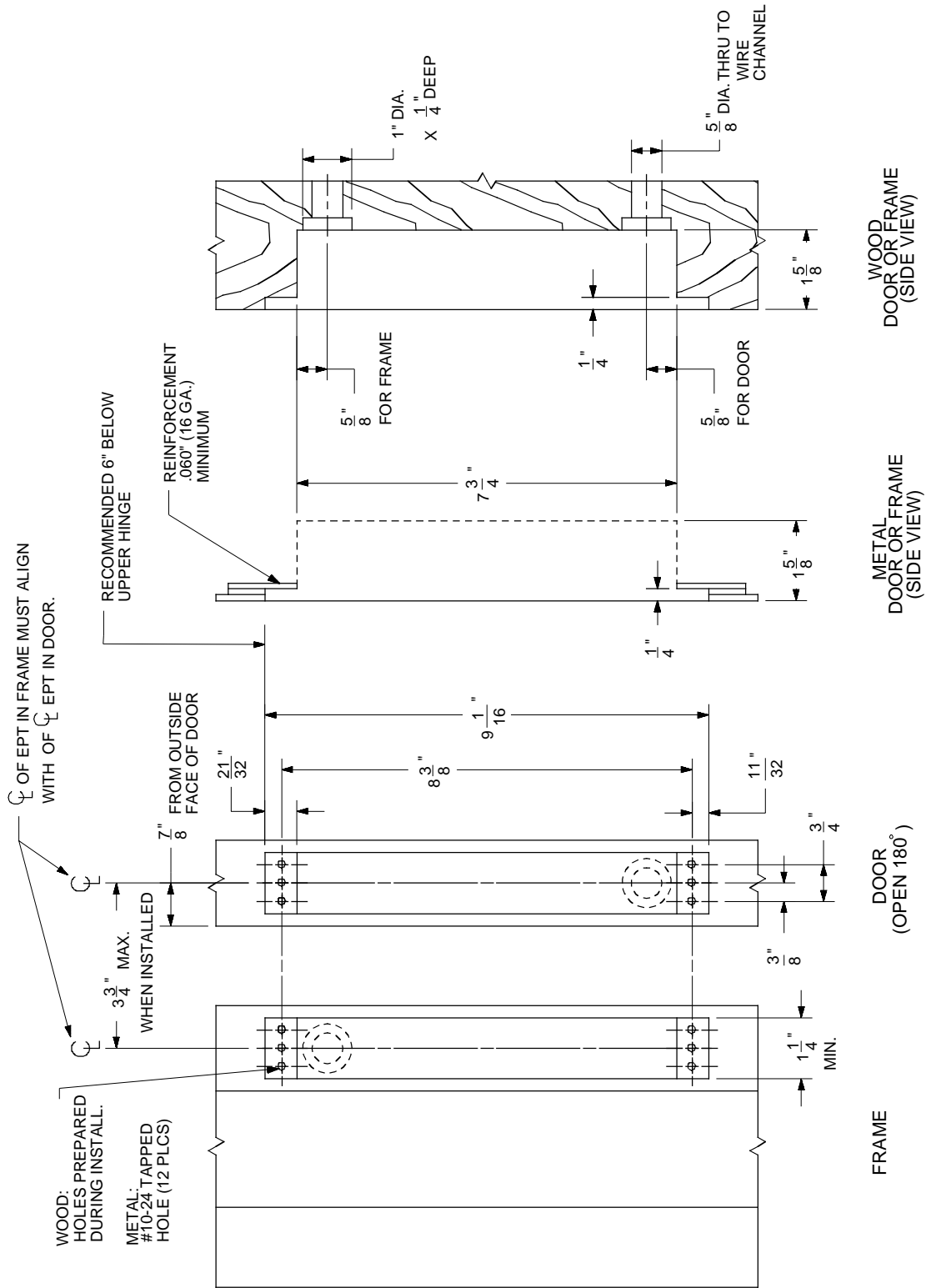


*Figure 5B. Exploded view of spring*

## 6 Verify mechanical operation.

- A. Verify that door opens and closes and that electrical components function.

# TEMPLATE



DESCRIPTION: **POWER TRANSFER UNIT  
EPT2, EPT10 & PNT1**

**VON DUPRIN**  
Part of worldwide Ingersoll-Rand

TEMPLATE NUMBER:	SHEET#:	DATE:
<b>40250-1</b>	<b>1 of 1</b>	<b>03/07/97</b>