

# VALUE SERIES®

## Delayed Egress Rim Exit Device with Magnetic Locking (V40xEM)

The V40xEM, designed for **primary and secondary exits**, provides a secure **15-second delay** and a **100dB alarm** when someone attempts to exit. This 15-second delay allows management time to respond before someone exits and the alarm deters the exit from occurring. Per life safety requirements, the V40xEM must be provided with a fire alarm input, thus providing a system override during a fire emergency. The V40xEM provides security while meeting all life safety concerns, offering an exceptional value.



**V40xEM**  
(Shown with mortise cylinder - sold separately)

PUSH UNTIL ALARM SOUNDS  
DOOR CAN BE OPENED IN 15 SECONDS



**V40xEMx711xBLK**  
(Shown with mortise cylinder - sold separately)

Wide Stile shown, for Narrow Stile, specify NS Option  
(for use on 36" and 48" doors with 2" stiles).



Power Supply Included as standard feature



Shown with factory installed mortise cylinder



**V40xEMx711**  
(Shown with mortise cylinder - sold separately)

### Benefits

- 2 point locking provides tandem holding force of (1400 lb.) latch bolt and (1500 lb.) electromagnetic lock
- Priced to be the best value for durable and attractive delayed egress panic hardware
- Reduces employee and customer theft
- Fast and easy installation
- Secure installation prevents mistakes, enhances security and reduces maintenance
- Fits almost any door in any décor
- Durable design provides years of trouble-free protection, saving on replacement costs
- Controls foot traffic, deters unauthorized exits, prevents loss and meets building code requirements

### Features

- Powered by a 24VDC filtered and regulated power supply
- Heavy-duty ribbed aluminum rail extrusion
- 9V battery provides alarm function only in case of power failure
- Panic Device and power supply have passed testing for electrostatic discharge (ESD) by an independent testing laboratory
- Accommodates all types of mortise cylinders with a standard Yale cam
- Armed and disarmed field selectable status indicator
- Power supply delivers a constant 24VDC of filtered and regulated voltage at a rated load of 1A, including ripple rejection and transient noise suppression circuitry
- Patented mounting plate and strike locator system provide perfect alignment with door and frame
- Delayed arming allows arming after door closes
- Stainless steel, 3/4" deadlocking Pullman-type latch bolt
- Single mortise cylinder provides arming and dogging - can be factory installed
- Remote signal output and remote bypass input standard
- Alarm triggered by latch bolt movement
- Fire alarm input can be connected at power supply or panic bar
- Includes delayed egress panic bar, 24VDC filtered and regulated power supply, 1500 lb electromagnetic lock, door sign and 3' conduit loop
- Non-handed, field sizeable
- State-of-the-art electronics offer reliable security and instantaneous alarm
- Visual and audible arming indicators

### Electrical Options

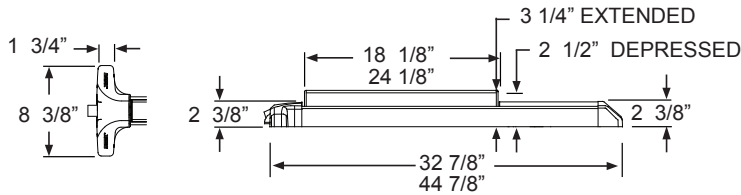
- 30 Second Delayed Egress (must have letter from AHJ)
- PT5 - Power Transfer
- AL18 - Surface Armored Loop (Door/Frame mounted)
- Other Value Series Delayed Egress Panic Devices Include:
- Delayed Egress (EE)

## Mechanical Options

- MC65 - Factory Installed Mortise cylinder
- IC7 - Factory Installed IC Housing
- F - 3-Hour Fire Rated
- H - Hurricane Rated
- CD - Cylinder Dogging (Std.)
- LD - Less Dogging
- 36" Door Width (Std.)
- 48" Door Width
- 99 - Surface Strike (Std.)

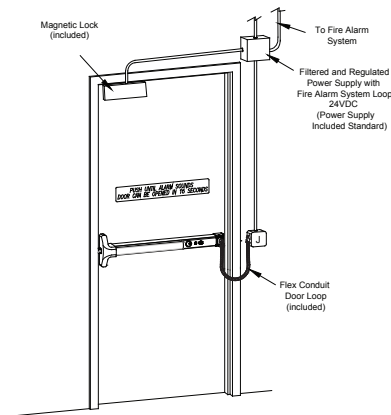
- 98 - Semi Mortise Strike
- KS - Key Stop (Key removed only when armed)
- Available with 628 Base Rail Extrusion (Std.)
- Available with 711 Base Rail Extrusion

## Dimensions

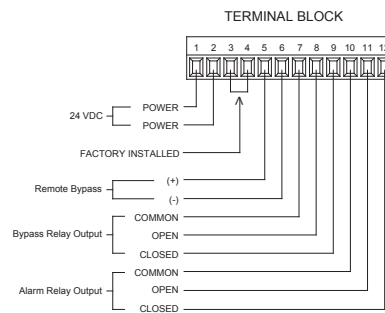


18 1/8" & 32 7/8" device dimensions for 36" door  
 24 1/8" & 44 7/8" device dimensions for 48" door  
 Add 2" for NS

## Riser Diagram



## Terminal Block



## Accessories

- NSK - Narrow Stile Conversion Kit - Converts V40 to fit narrow stile glass door applications
- Outside Trim (see Value Series Trim Options)
- SN1 - Sex Nut Fasteners
- Foreign Language Signs available Contact Factory

## Technical Information

- Door Types - Wood, Hollow Metal, Fiberglass or Aluminum
- Door Thickness - Fits standard 1-3/4" - 2-1/4"
- Single Door Stile - Fits 3-1/2" minimum stile doors with 99 surface strike (Std.)
- Pairs of Doors Stile - Fits 4" minimum stile doors with 99 surface strike
- Door Stile - Fits 2" narrow stile doors - specify NS
- Machine and Self-Drilling Screws (Std.)
- Optional Sex Nuts or Security Torx Screws available

## Listings and Approvals



UL Listed Panic Hardware



UL Listed Fire Exit Hardware for 3 hours, maximum 4'x10' single doors and pairs of 4'x8' with F90KR keyed removable mullion

UL Listed Controlled Exit Device (FULA)

UL Listed Special Locking Arrangements (FWAX)



Meets ADA requirements



ANSI/BHMA certified A156.3



IBC 97, Standard 7-2 and UL10B/UL10C for positive pressure



Meets NFPA 80 & 101 for Life Safety



Miami-Dade County, Florida  
 NOA 15-0415.08

State of Florida Approval  
 FL9052



California State Fire Marshall  
 4140-0127:105 and  
 3725-0127:108

## Detex Limited Warranty

10 Year Mechanical/3 Year Electrical  
 Limited Manufacturer's Warranty



Detex Corporation  
 302 Detex Drive  
 New Braunfels, Texas 78130-3045 USA  
 PH. (830) 629-2900  
 (800) 729-3839  
 FAX (800) 653-3839  
<http://www.detex.com>  
 USA Sales:  
[marketing@detex.com](mailto:marketing@detex.com)  
 International Sales:  
[export@detex.com](mailto:export@detex.com)