

Detex Corporation, 302 Detex Drive, New Braunfels, Texas 78130-3045
 (830)629-2900 / 1-800-729-3839 / Fax (830)620-6711
 E-MAIL: detex@detex.com INTERNET: www.detex.com

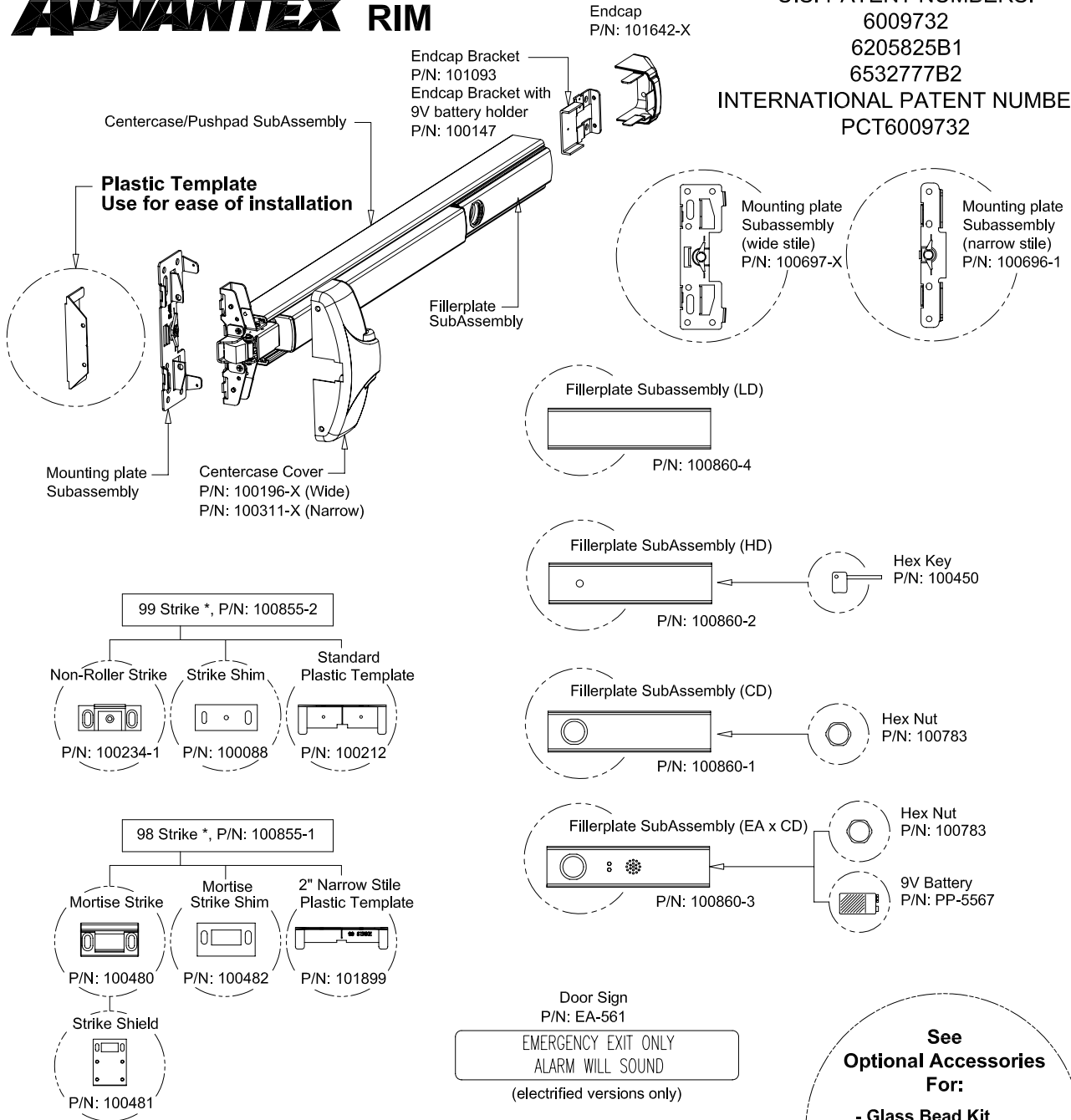
INSTALLATION INSTRUCTIONS FOR DETEX ADVANTEX® RIM 10/40 SERIES, F10/F40 SERIES AND "H" MODELS (HURRICANE)

ADVANTEX® RIM

U.S. PATENT NUMBERS:

6009732
 6205825B1
 6532777B2

INTERNATIONAL PATENT NUMBER:
 PCT6009732



**See
 Optional Accessories
 For:**

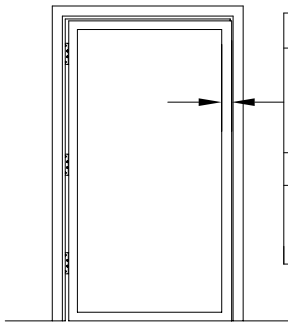
- Glass Bead Kit
- Sex Nuts
- Tamper Kit
- Double Door Strike Kit
- Key Stop Kit

*** Note: Parts listed above will vary according to product configuration.**

**Mortise cylinder not included with device.
 Standard Yale type cam required.**

Owner's Copy

!!!CHECK BEFORE STARTING!!!

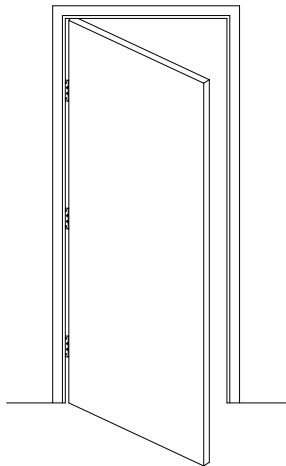
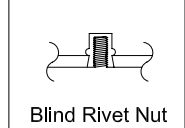
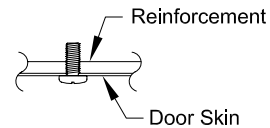


Wide Stile (Surface Strike)
Minimum door stile 4-1/2" (114 mm)
Template drawings provide door and frame structural and dimensional specifications for door and frame preparation.
Narrow Stile
Minimum door stile 2" (51mm)
Surface strike possible
Mortise strike recommended

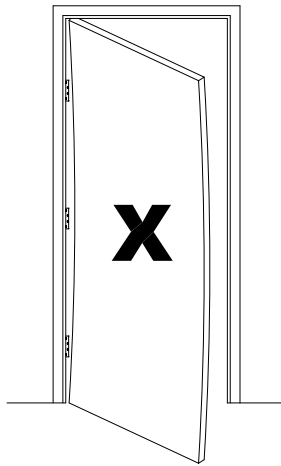
Doors and frames with walls having a structural thickness (metal skin plus reinforcement, or solid wood) to engage less than (3) full screw threads, are considered unreinforced for hardware.

Unreinforced Doors: Use Sex Nuts and Bolts
 Unreinforced Frames: Use Blind Rivet Nuts (see sketch)
 Fasteners for unreinforced openings are not supplied by Detex.

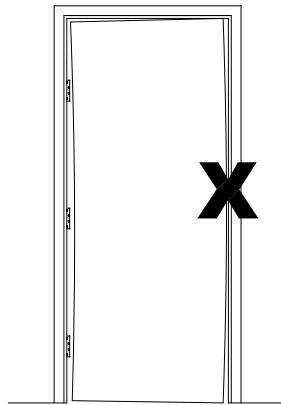
Reinforced door or frame engages at least (3) screw threads.



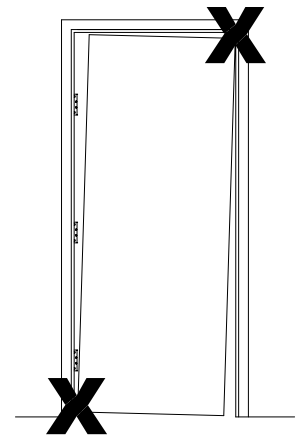
Door Must Swing Freely



Door Must Not be Warped



Door Must Not Bind



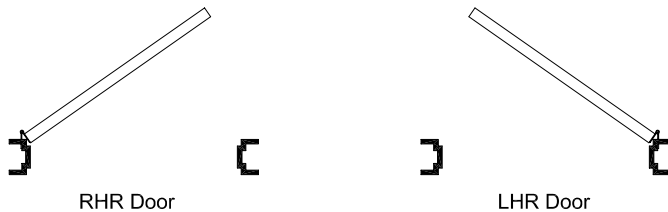
Door Must Not Sag

NOTE: 750mm MAXIMUM DOOR WIDTH OPENING FOR EUROPE FOR 36" DEVICE

1000mm MAXIMUM DOOR WIDTH OPENING FOR EUROPE FOR 48" DEVICE

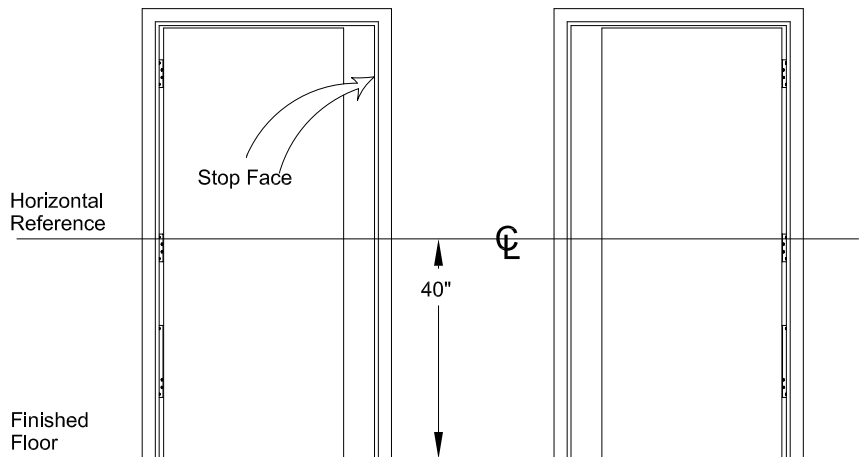
THE SAFETY FEATURES OF THIS PRODUCT ARE ESSENTIAL TO IT'S COMPLIANCE WITH EN 1125.

NO MODIFICATION OF ANY KIND, OTHER THAN THOSE DESCRIBED IN THESE INSTRUCTIONS ARE PERMITTED.



RHR Door

LHR Door

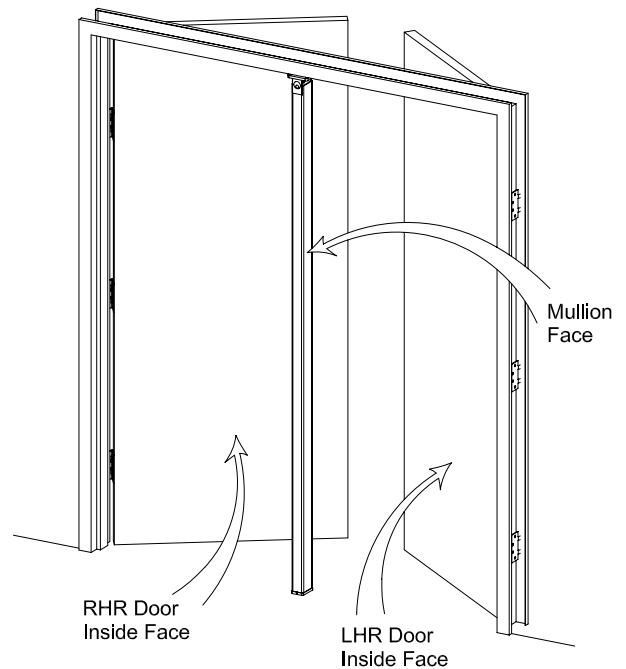


Horizontal Reference

Stop Face

40"



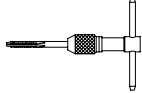


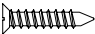
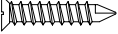
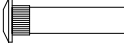
Finished Floor



RHR Door Inside Face

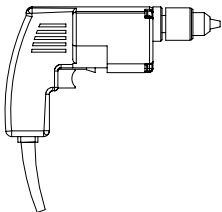

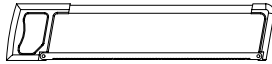
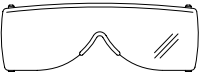
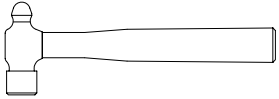
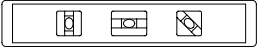
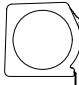
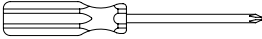

LHR Door Inside Face

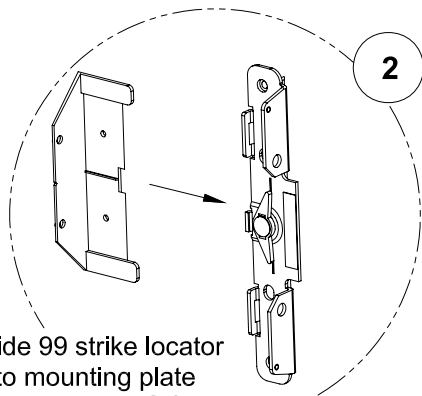
Fastener Table

			Drill Bit	Tap Wrench	Comments
					Use Either Machine Screws, Sheetmetal Screws, or Sex Nuts
Machine Screws 	#6-32 x 5/8"	PFH	#36 or 7/64	#6-32 Tap	Used on 98 Strike Shield Mounting Holes
	#6-32 x 3/8"	PFH	----	----	Used to Mount Centercase Cover and Endcap
	#10-24 x 5/8"	PFH	#25 or 9/64"	#10-24 Tap	Used on 99 Strike Center Mounting Hole
	#1/4-20 x 1/4"	PPH	----	----	Used to Fasten Centercase Unit onto Mounting plate
	#1/4-20 x 1"	PPH	#7 or 13/64"	#1/4-20 Tap	Used on Strike, Mounting plate, and Endcap Mounting Holes
Sheetmetal Screws 	#6 x 1"	PFH	9/64"	----	Used on 98 Strike Shield Mounting Holes
Self-drilling Screws 	#10 x 1"	PFH	NOT REQUIRED	----	Used on 99 Strike Center Mounting Hole
	#14 x 1"	PPH	NOT REQUIRED	----	Metal Applications Used on Strike, Mounting plate, and Endcap Mounting Holes
Sex Nut 	#1/4-20	----	9/32" Interior Door Face	----	Recommended on Fire Rated Wood and Unreinforced Hollow Metal Doors Used on Mounting plate and Endcap Mounting Holes
		----	3/8" Exterior Door Face	----	
	#10-32	----	13/64" Interior Door Face	----	Recommended on Fire Rated Wood and Unreinforced Hollow Metal Doors Used on Strike Hook Mounting Holes
		----	5/16" Exterior Door Face	----	

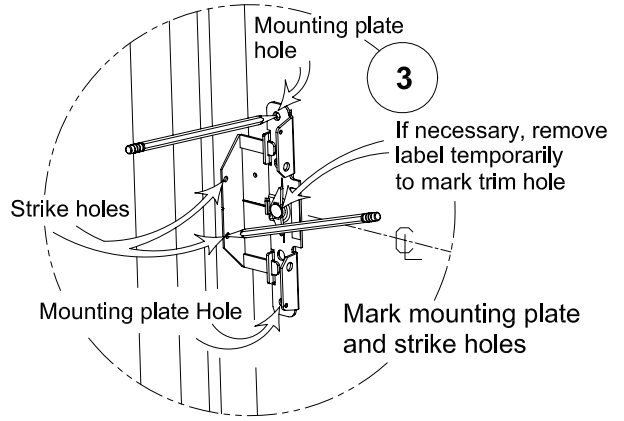
Note: (1) Fastener selection will vary per catalog configuration and kits ordered.
 (2) Mortise Cylinder NOT Provided.

Tools Required

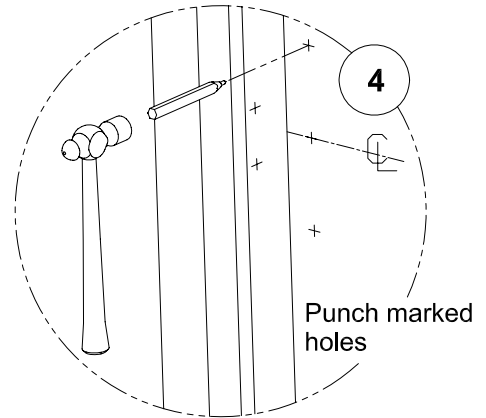
Power Drill 	Pencil 
	Hack Saw 
Safety Glasses 	Hammer 
Level 	Tape Measure 
Screw Driver 	Center Punch 



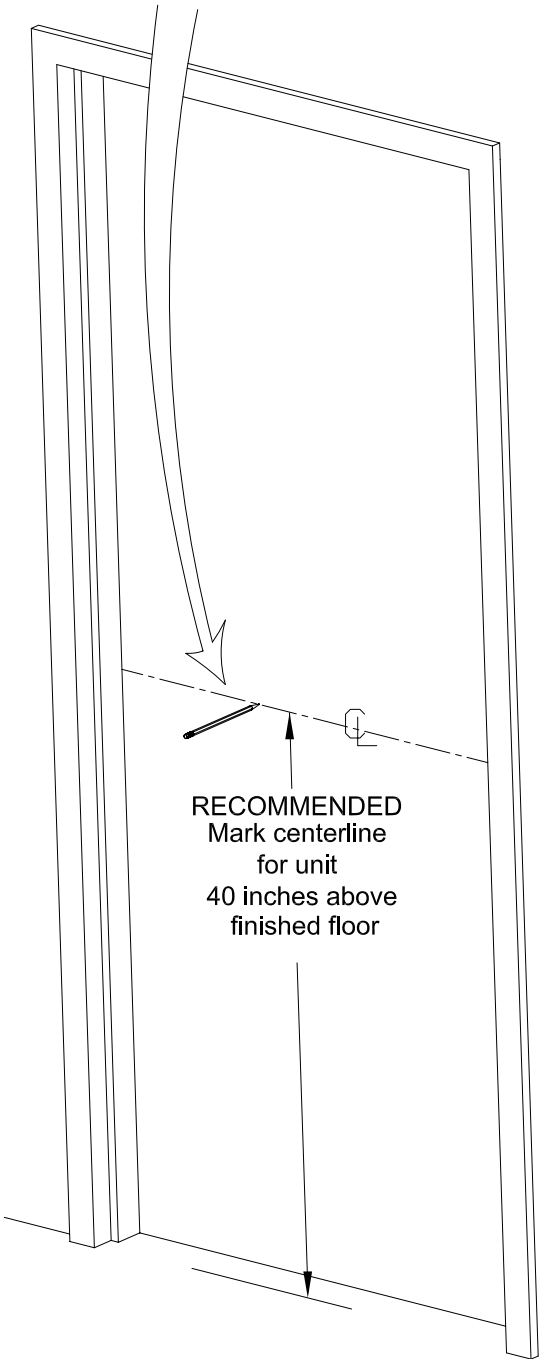
Slide 99 strike locator into mounting plate (see appendix C for 98 strike and strike hook installation)



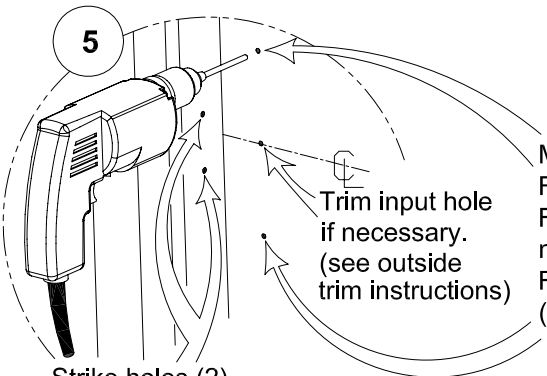
Mounting plate hole
Strike holes
Mounting plate Hole
Mark mounting plate and strike holes
If necessary, remove label temporarily to mark trim hole



Punch marked holes

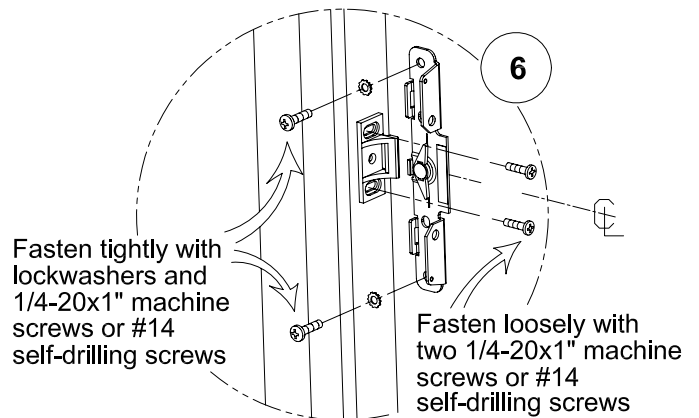


RECOMMENDED
Mark centerline
for unit
40 inches above
finished floor



Strike holes (2)
For 1/4-20 machine screws
drill #7 holes
No pilot hole necessary
for #14 self-drilling screws
(see fastener table)

Mounting plate holes (2)
For 1/4-20 machine screws drill #7 holes.
For #14 self-drilling screws no pilot holes
necessary.
For sex nuts drill 3/8" holes.
(see fastener table)

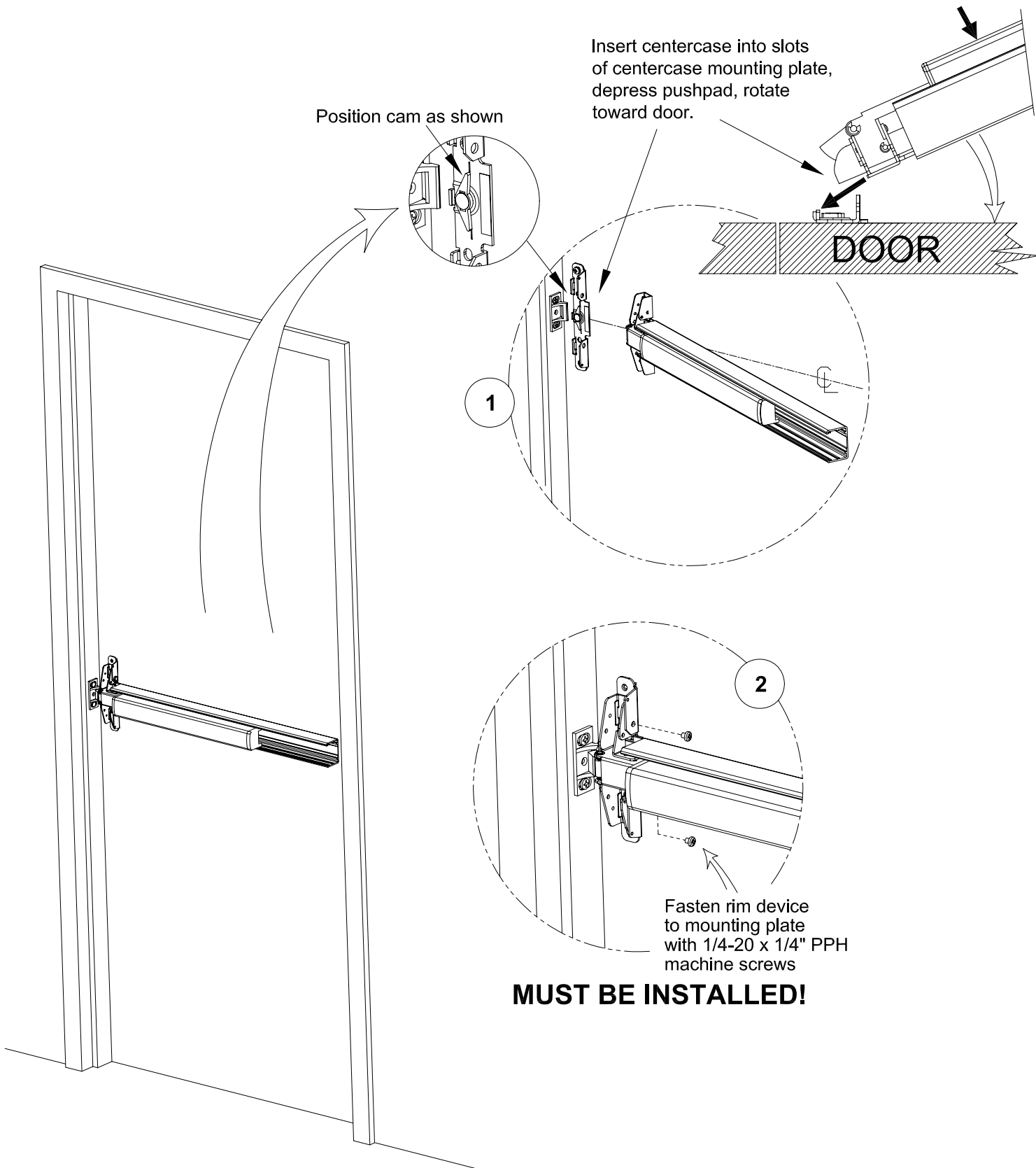


Fasten tightly with lockwashers and 1/4-20x1" machine screws or #14 self-drilling screws

Fasten loosely with two 1/4-20x1" machine screws or #14 self-drilling screws

Position cam as shown

Insert centercase into slots
of centercase mounting plate,
depress pushpad, rotate
toward door.



1

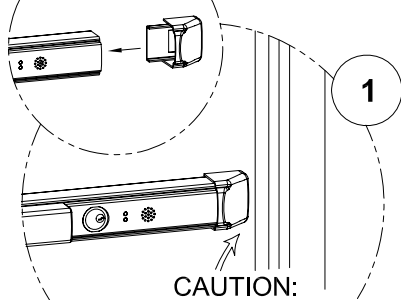
2

Fasten rim device
to mounting plate
with 1/4-20 x 1/4" PPH
machine screws

MUST BE INSTALLED!

CHECKING FOR DEVICE CLEARANCE (Cut-Off procedure if required)

Slide endcap assembly onto extrusion

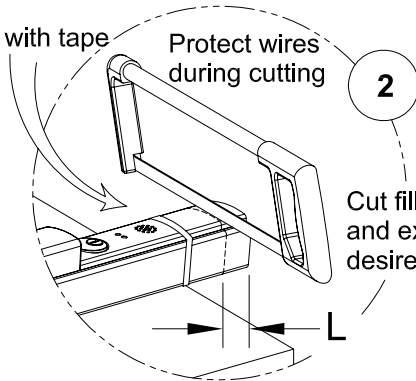


1

CAUTION:
Check for device and door frame clearance.
If no cut-off needed, proceed to the next step.

Secure with tape

Protect wires during cutting



2

Cut fillerplate and extrusion to desired length

L

Standard Cut-Off*		
Type	Length (L)	
	36" Unit	48" Unit
Electrified Model	2 in	8 in
HD/CD	4-3/4 in.	10-3/4 in
LD	6-1/2 in	12-1/2 in

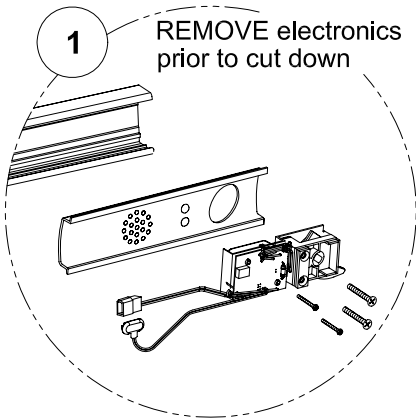
NOTE:

* For additional cut down lengths, call factory at (800) 729-3839 for assistance.

Procedures for Maximum Cut Down Lengths Caution Required-Special Handling (Call factory at (800) 729-3839 for assistance)

1

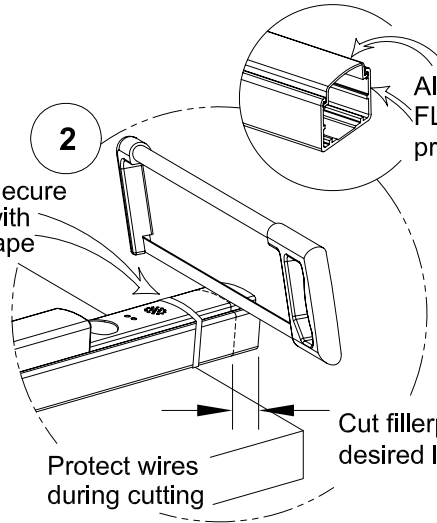
REMOVE electronics prior to cut down



2

Secure with tape

Align fillerplate FLUSH to extrusion prior to cutting



Cut fillerplate & extrusion to desired length*

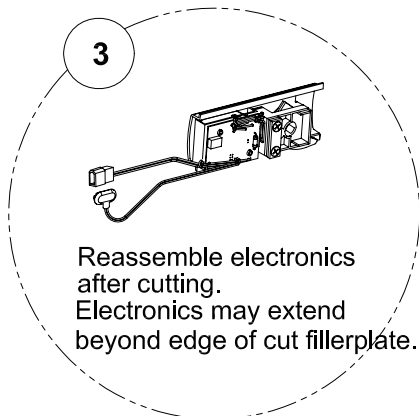
Protect wires during cutting

Max Cut-Off

Type	Length (L)	
	36" Unit	48" Unit
Electrified Model	3 in	9 in
HD/CD	5-1/2 in.	11-1/2 in
LD	6 1/2 in	12 1/2 in

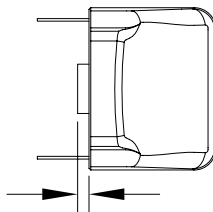
3

Reassemble electronics after cutting.
Electronics may extend beyond edge of cut fillerplate.



3

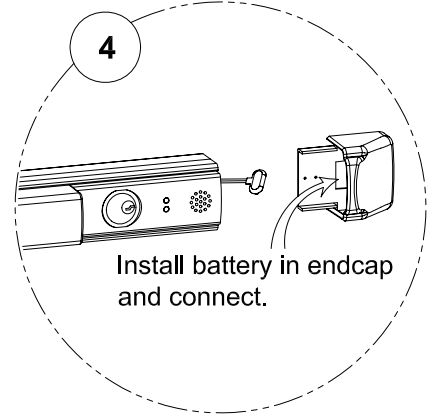
Endcap (top view)



For maximum cut down, this portion of center tab may be cut off

4

Install battery in endcap and connect.



MORTISE CYLINDER INSTALLATION

CD (Cylinder Dogging) and EA (Exit Alarm) Cylinder Installation

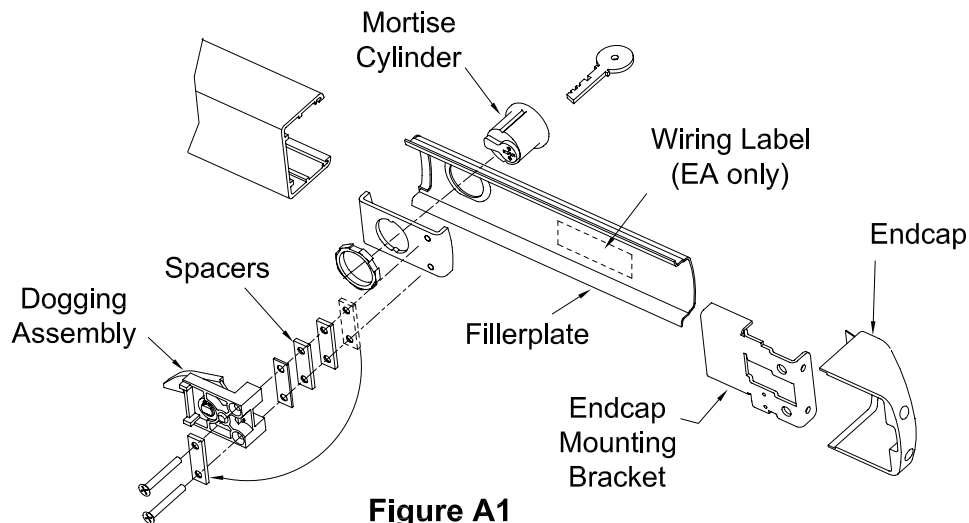


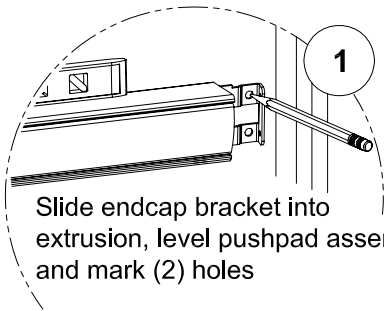
Figure A1
CD shown (EA Similar)

Follow steps "a" through "e" for both CD and EA cylinder installations

- a. Remove endcap and endcap mounting bracket.
- b. Remove fillerplate. **Caution: EA models have electronic components susceptible to damage.**
- c. Remove and discard shipping insert and nut. Loosen (2) screws from dogging assembly.
- d. Install mortise cylinder (sold separately) with large hex nut provided.
- e. Trial fit dogging assembly. If cylinder is too short, remove spacers as necessary and reattach them under the (2) screw heads (See Figure A1). Fasten the (2) screws to the rest of the assembly.
Caution: The key should easily turn in both directions.

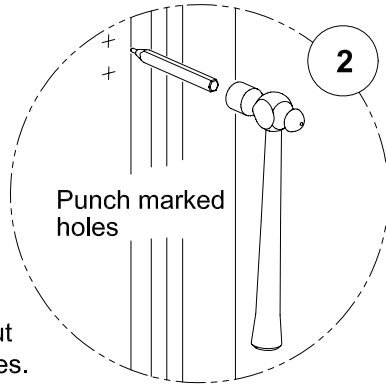
CD installation

- f. Rotate key counterclockwise
- g. Assembly complete. Continue with Panic Hardware instruction.

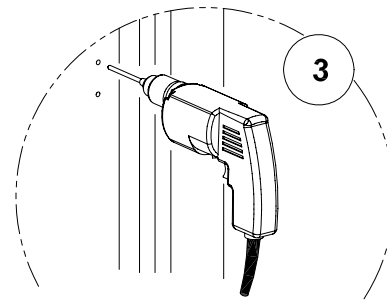


1
Slide endcap bracket into extrusion, level pushpad assembly, and mark (2) holes

Note: Endcap bracket must bottom-out on extrusion before marking holes.

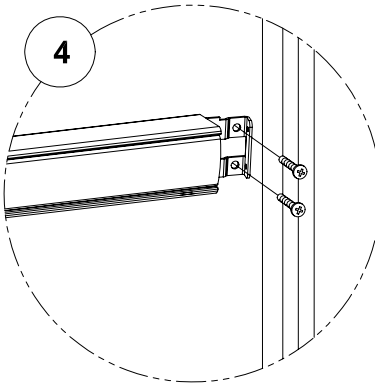
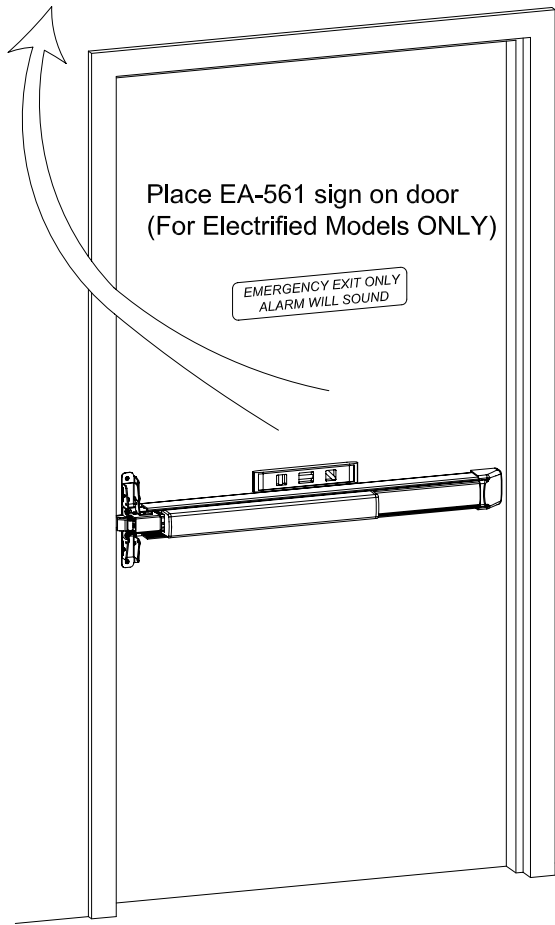


2
Punch marked holes

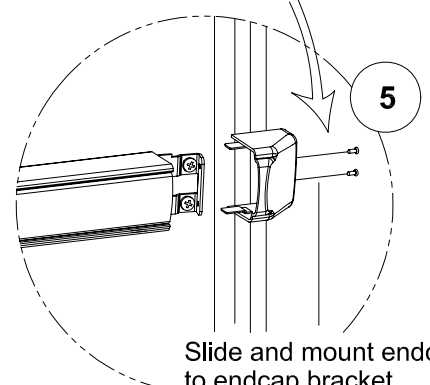


3
For 1/4-20 machine screws drill #7 holes.
For #14 self-drilling screws no pilot holes necessary.
For sex bolts drill 3/8" holes.

IMPORTANT:
Install (2) 10-32 FH Screws to attach Endcap

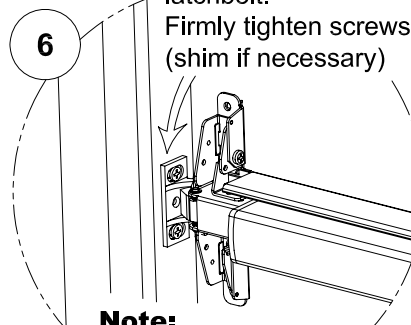


4



5

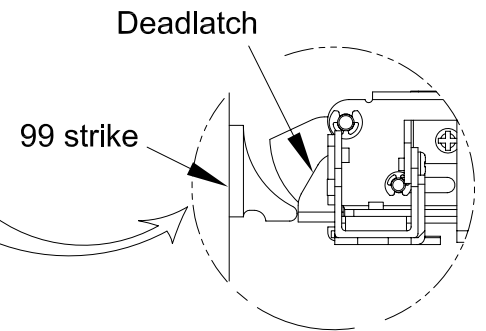
Slide and mount endcap to endcap bracket



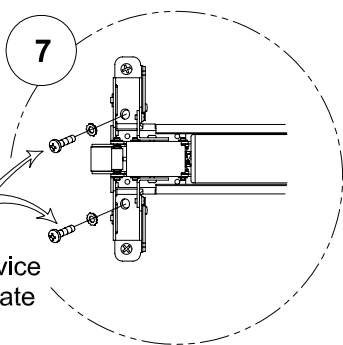
6

Align the 99 strike with the latchbolt.
Firmly tighten screws (shim if necessary)

Note:
Check device function and strike engagement BEFORE marking and drilling for center screw.

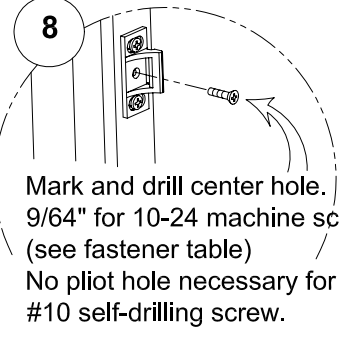


MANDATORY FOR HURRICANE MODELS



7

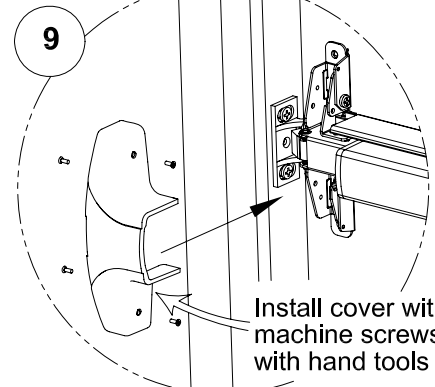
Fasten rim device to mounting plate and door with 1/4-20x1" machine screws or #14 self-drilling screws



8

Mark and drill center hole. 9/64" for 10-24 machine screws. (see fastener table)
No pilot hole necessary for #10 self-drilling screw.

Secure the 99 strike.



9

Install cover with 6-32 machine screws. Tighten with hand tools only.

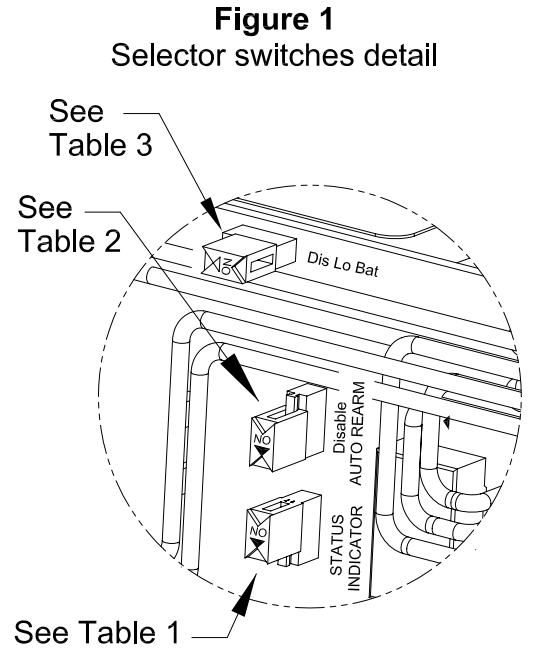
EA SWITCH OPTIONS

Switch selections must be made before applying power or installing battery (See Figure 1)

Table 1	
Status Indicator	Status Description
Off *	The Device gives no indication of armed or disarmed status.
On	The Device flashes red or green LED every 15 seconds. Red indicates armed status and green indicates disarmed.

Table 2	
Disable Auto rearm	Auto Rearming Feature Setting
On *	Alarm sounds until turned off with key. Extended bypass is enabled.
Off	Unit sounds alarm for 2 minutes after bar is released. Alarm will automatically rearm after 2 minutes.

Table 3	
Note: AC power must be applied for switch to operate	
Disable Low Battery	Status Description
Off *	The device flashes one red LED and one beep about every 45 seconds
On	The device gives no indication of battery being low.



* Factory default settings:
 STATUS INDICATOR switch set to "OFF"
 Disable AUTO REARM switch set to "ON"
 Dis Lo Bat switch set to "OFF"

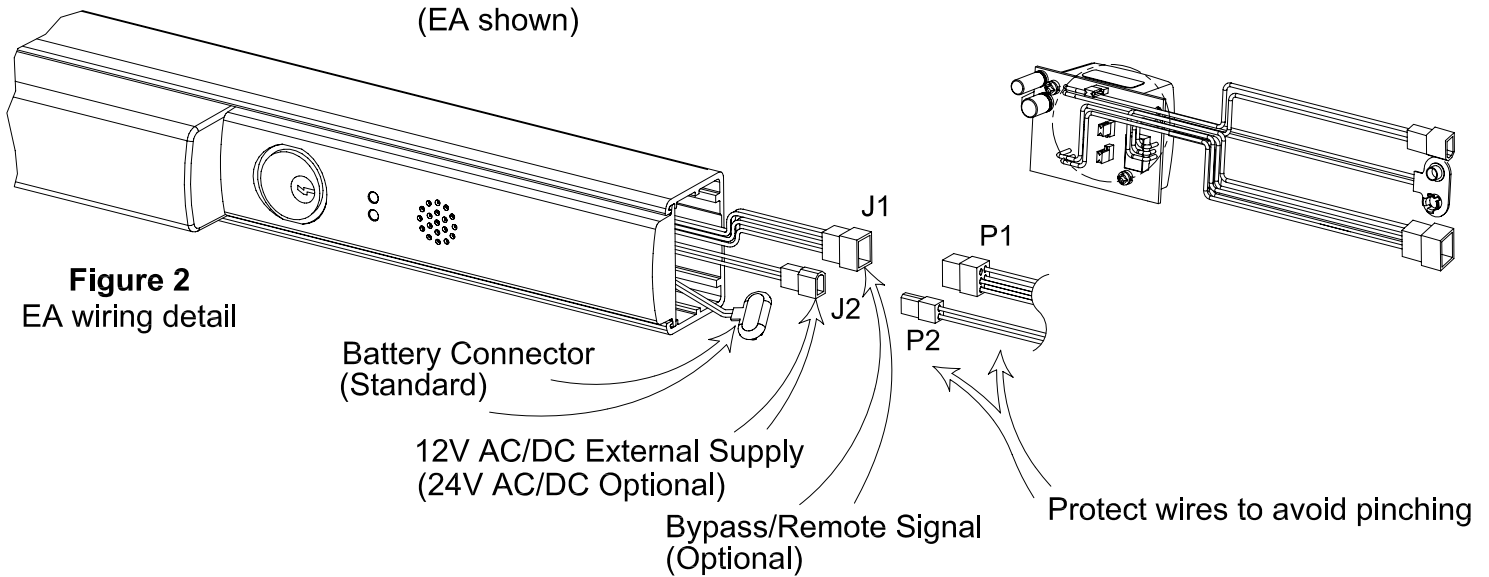
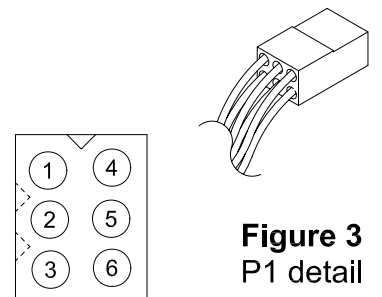
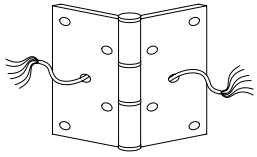


Table 4 (P1 wire usage)					
Remote Signal			Remote Bypass		
Pin 1	Brown	Common	Pin 4	Violet	N.O. contact
Pin 2	Yellow	Normally Open	Pin 5	Violet	N.O. contact
Pin 3	Green	Normally Closed	Pin 6	---	---
Contacts rated at 1.0A @ 30VDC or 0.5A @ 125VAC					

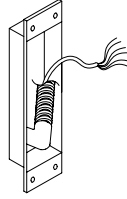


HARDWIRE TRANSFER DETAIL

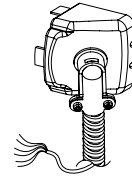
(Requirements: Minimum 6 Conductor Wires, Maximum 12 Conductor Wires)



Electric Hinge
p/n: EWH8-X

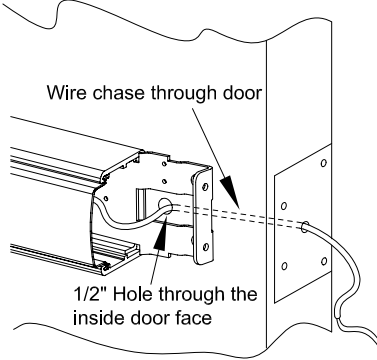


Power Transfer
p/n: PT-5

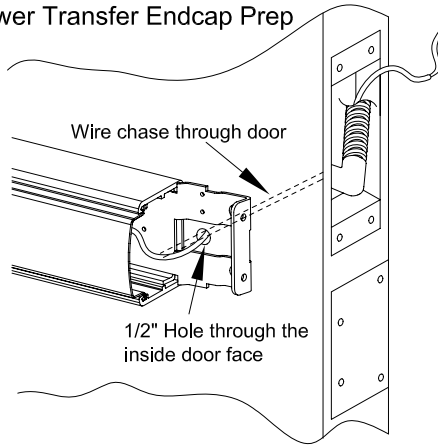


Flex Conduit/End Cap Kit
p/n: FCA
(Order FCA x Finish)

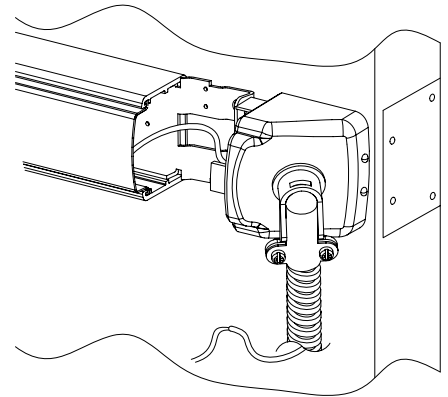
Electric Hinge Endcap Prep



Power Transfer Endcap Prep



FCA Flex Conduit Endcap Prep

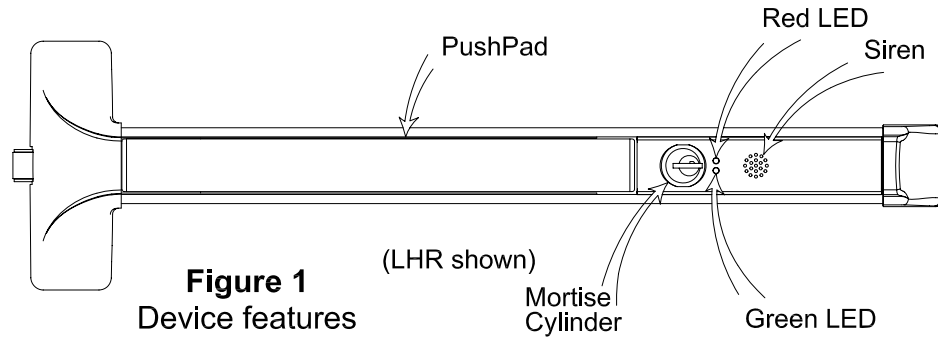


Note: For high traffic areas an electric through-wire hinge or power transfer is recommended.

ALARM OPERATIONS

Note: Unit is shipped with Disable Auto Rearm turned ON and Status Indicator turned OFF

Refer to tables 1, 2 & 3 on page 9



SPECIAL NOTES and DEFINITIONS

1. When operating the ON/OFF switch, there is a slight delay.
2. The key is inserted and removed only in the horizontal position (home position).
3. Key function: counter clockwise (CCW) = Armed; clockwise (CW) = Disarmed
4. The power needs to be removed to register changes in the slide switches.
 - a. Status Indicator (This will affect battery life)
 - b. Disable Auto Rearm
 - c. Dis Lo Bat INDicator (EH units only)

UNIT ARMING TEST:

1. Turn key counterclockwise (CCW) (key is removable after rotating back to horizontal position)
2. Red LED will flash twice, then green LED will illuminate for the 15 second delay time, then turn off.
The siren will sound three short beeps indicating the unit is armed.
3. Depress Pushpad (Siren will sound and red LED will illuminate)
4. Turn key clockwise (CW). Turns alarm off.

LOW BATTERY ALERT:

1. Siren will beep and red LED will blink at approximately 45 second intervals when battery is low

DOGGING FEATURE: (non-fire rated units only)

1. Depress Pushpad
2. While holding Pushpad depressed, turn key clockwise (CW). Pushpad should remain depressed
(Key is removable after rotating back to horizontal position)
3. Unit is now disarmed.

STATUS INDICATOR

1. Slide the switch to ON and apply power.
2. If the unit is armed, the red LED will blink every 15 seconds.
3. If the unit is disarmed, the green LED will blink every 15 seconds.

Disable AUTO REARM (Off)

1. When the unit is in full alarm and the bar is released, the alarm will shut off after 2 minutes.

Care and Maintenance:

The Detex Advantex[®] devices are designed to provide many years of maintenance free service under normal usage. Periodically inspect and lubricate the unit to extend its life.

Advantex EA Troubleshooting Tips for Default Settings

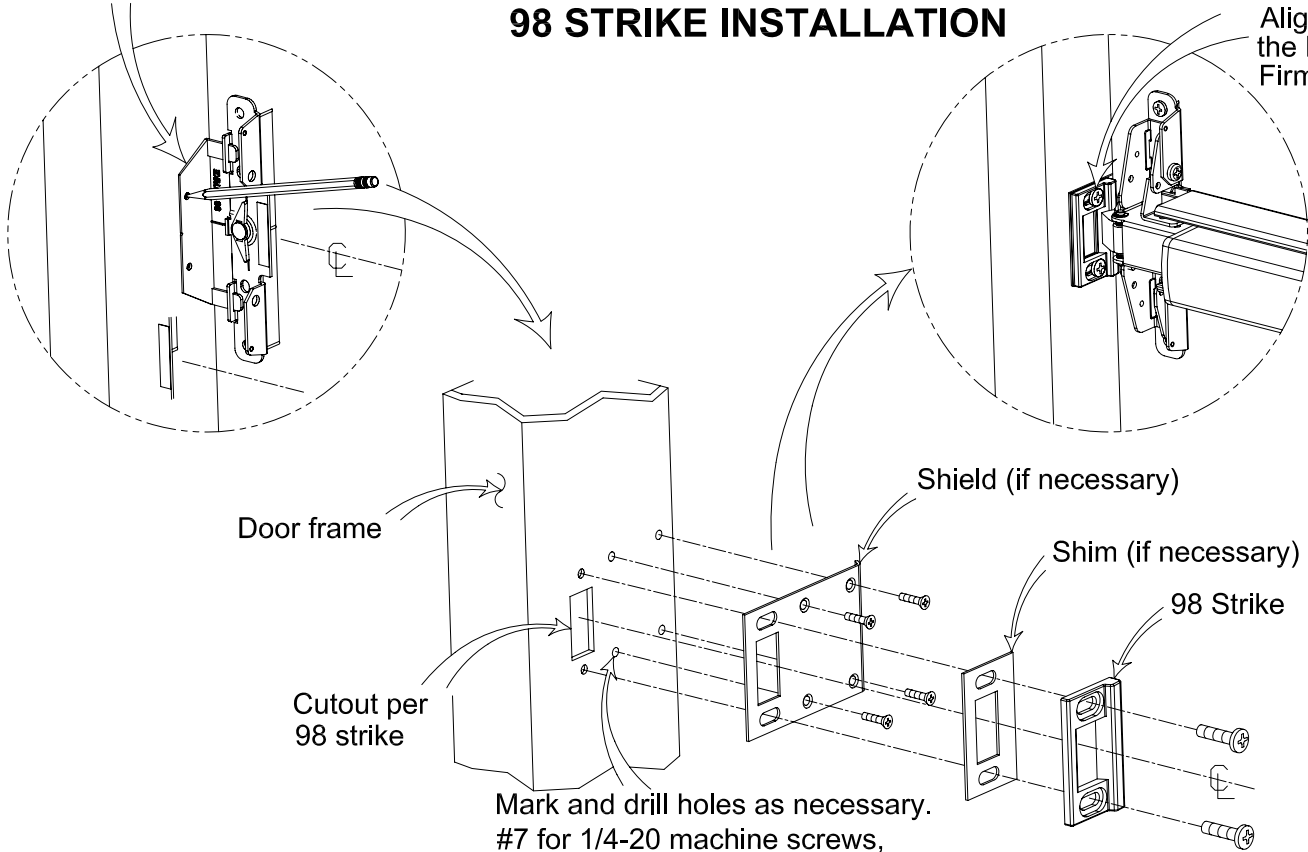
Problem	Probable Cause	Action
When unit is armed, red LED flashes twice, green LED is on for 15 seconds, but the unit does not give three beeps after the green LED goes off.	The actuator is sticking to the microswitch.	Call Detex. 1-800-729-3839
No LED activity when key is turned ccw to armed position.	<p>Dead or weak battery</p> <p>Battery not secured to connector correctly.</p> <p>No AC power.</p>	<p>Install new battery, LED's should flash and the siren beep once.</p> <p>Secure battery correctly.</p> <p>Call Detex. 1-800-729-3839</p> <p>Verify power from transformer and check for correct voltage at connector P2.</p>
AC powered unit gives a low battery indication	Battery not installed.	Install battery. If battery is not desired, disconnect power and slide the 'Dis Lo Bat IND' switch to 'ON' position.
LED's do not flash to indicate armed or disarmed status	Status indicator switch in off position.	Remove power from unit. Slide 'Status indicator' switch to 'ON' position. Reinstall power.

Technical Support 1-800-729-3839

98 Strike locator

98 STRIKE INSTALLATION

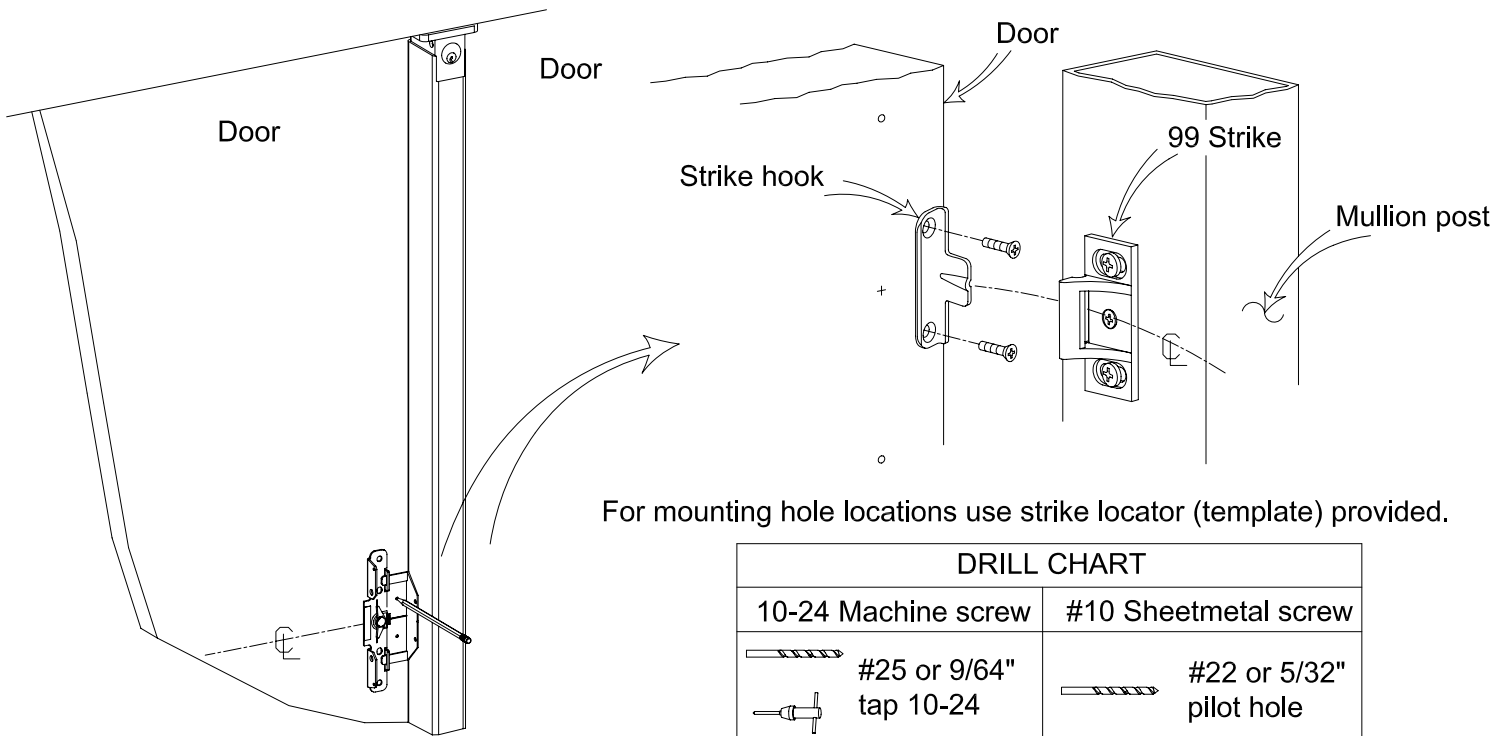
Align the Strike with the Latchbolt.
Firmly Tighten Screws



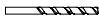
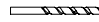
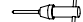
Mark and drill holes as necessary.
#7 for 1/4-20 machine screws,
For #14 self-drilling screws, no pilot hole necessary.
7/64" for 6-32 machine screws,
9/64" for #6 sheetmetal screws
(see fastener table)

STRIKE HOOK INSTALLATION

(Caution: This installation is required on fire rated door openings with removable mullion.)



DRILL CHART

10-24 Machine screw	#10 Sheetmetal screw
 #25 or 9/64"	 #22 or 5/32"
 tap 10-24	pilot hole

Narrow Stile Endcap Mounting Plate Fascia (For use on Glass Doors)

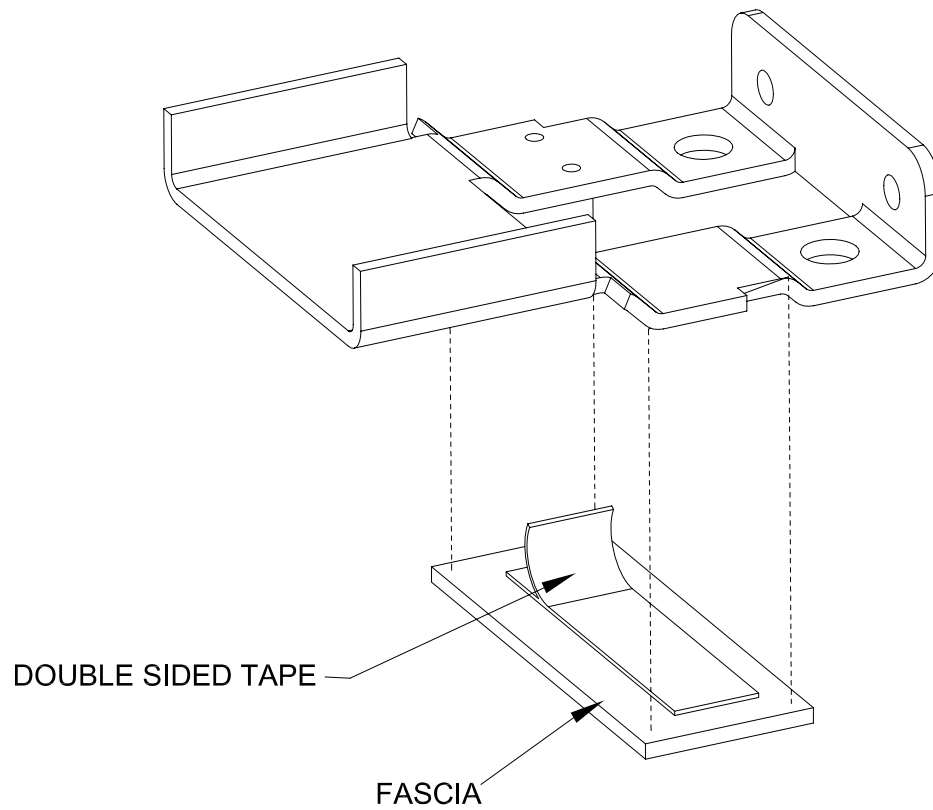


Figure B

Figure 2
EA wiring detail

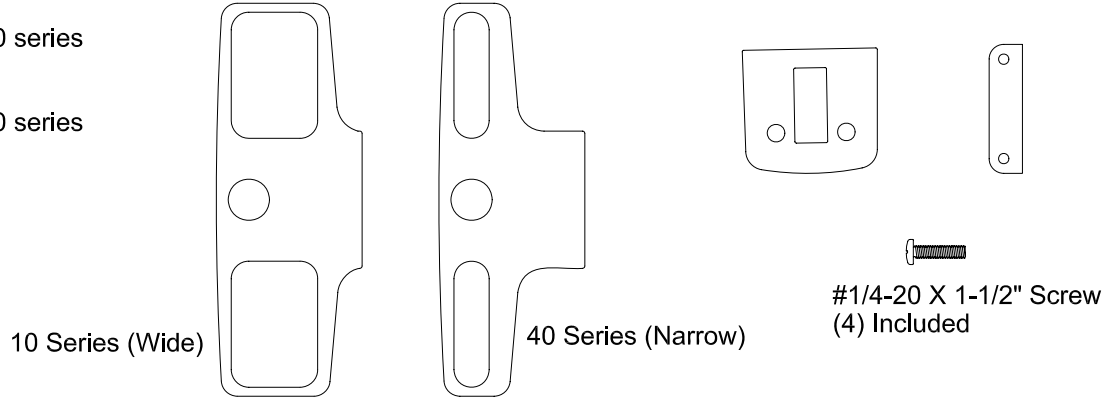
- a. Remove the endcap mounting bracket.
- b. Attach the fascia with the adhesive tape as shown in Figure B.
- c. Re-attach the endcap mounting bracket.

Optional Accessories

Glass Bead Kit

Catalog No: GB1 - Glass Bead Kit, 10 series
p/n: 101643

Catalog No: GB2 - Glass Bead Kit, 40 series
p/n: 101644



Sex Nut



The #10-32 kit is available in (4) finishes:

- Catalog No: SN2 Brushed Brass BHMA 606 Finish
- Catalog No: SN2 Oil Rubbed Bronze BHMA 613 Finish
- Catalog No: SN2 Brushed Chrome BHMA 626 Finish
- Catalog No: SN2 Stainless Steel BHMA 630 Finish

p/n: 101617-X

The #1/4-20 kit is available in (4) finishes:

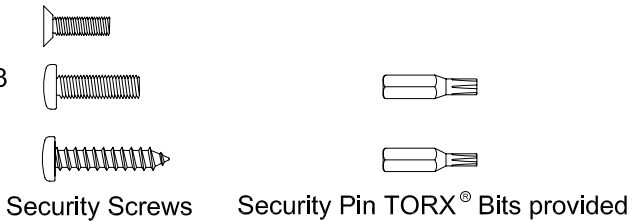
- Catalog No: SN1 Brushed Brass BHMA 606 Finish
- Catalog No: SN1 Oil Rubbed Bronze BHMA 613 Finish
- Catalog No: SN1 Brushed Chrome BHMA 626 Finish
- Catalog No: SN1 Stainless Steel BHMA 630 Finish

p/n: 101616-X

Tamper Kit

(Security Kit)

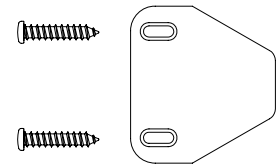
Catalog No: SSK3
p/n: 101233



Double Door Strike Kit

Catalog No: 94 Security screws
p/n: 102212-1

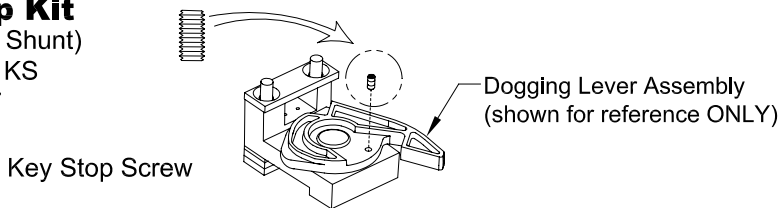
Catalog No: 95 - Standard screws
p/n: 102212-2



Key Stop Kit

(Momentary Shunt)

Catalog No: KS
p/n: 101867



The following Models in the series were evaluated by UL: Controlled Exit Panic Devices; Model 10 and 40. These devices may be suffixed with 01, 02, 03, 08, 09, or 14 followed by C, CN, D, DN, DT, DNT, DU, DNU, P, PN, W or WS, followed by BP1, BP2, BP3, BP4, BP5, or BP6 followed by 605, 606, 611, 612, 613, 625, 626, 628, 629, 630, or 711 followed by the RHR or LHR, followed by EA, which may be followed by LD or CD, followed by 605, 606, 611, 612, 613, 625, 626, 628, 629, 630, or 711 followed by 98 or 99, followed by 36 or 48.