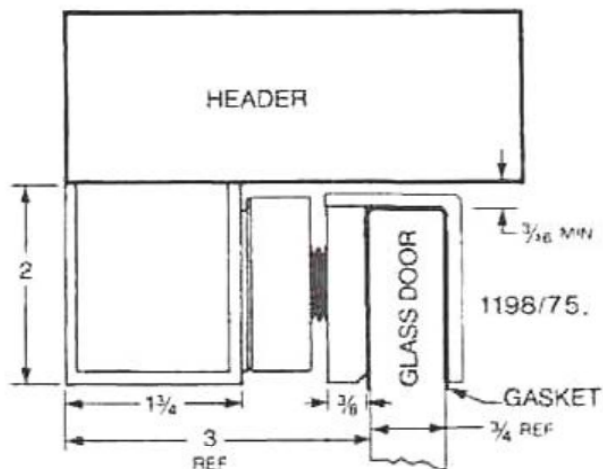
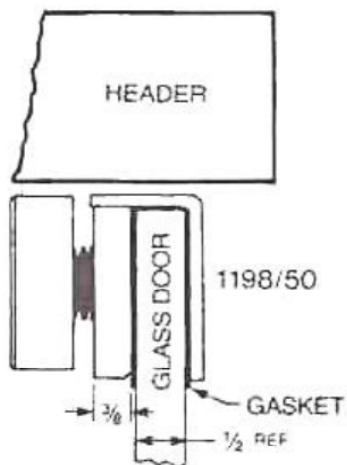
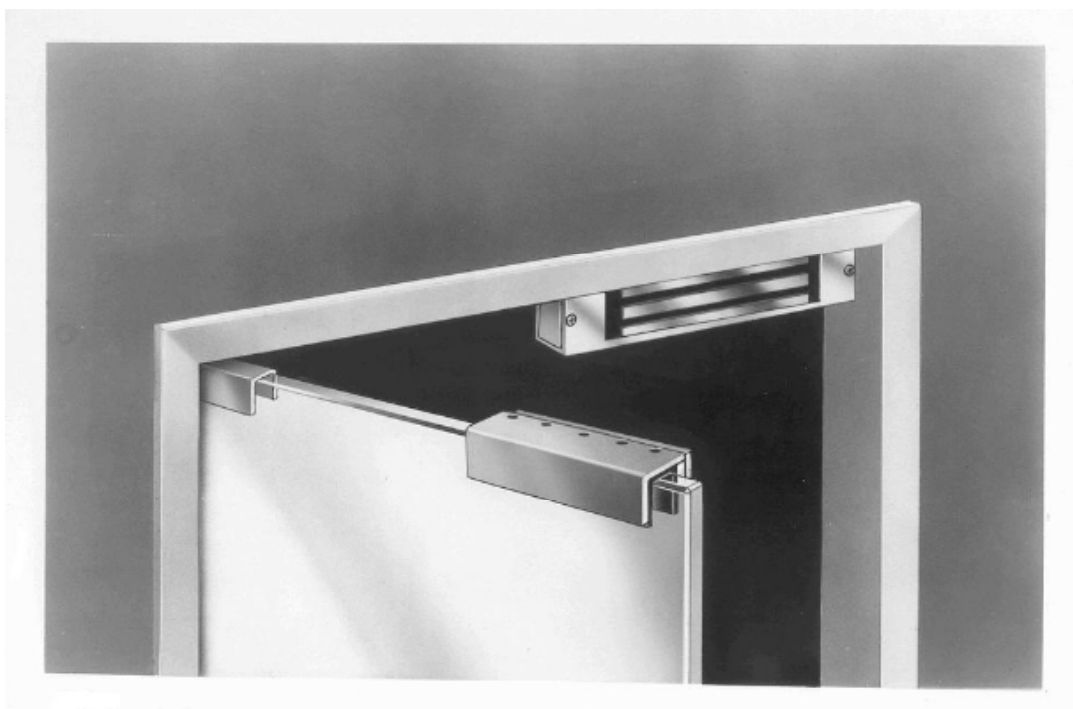




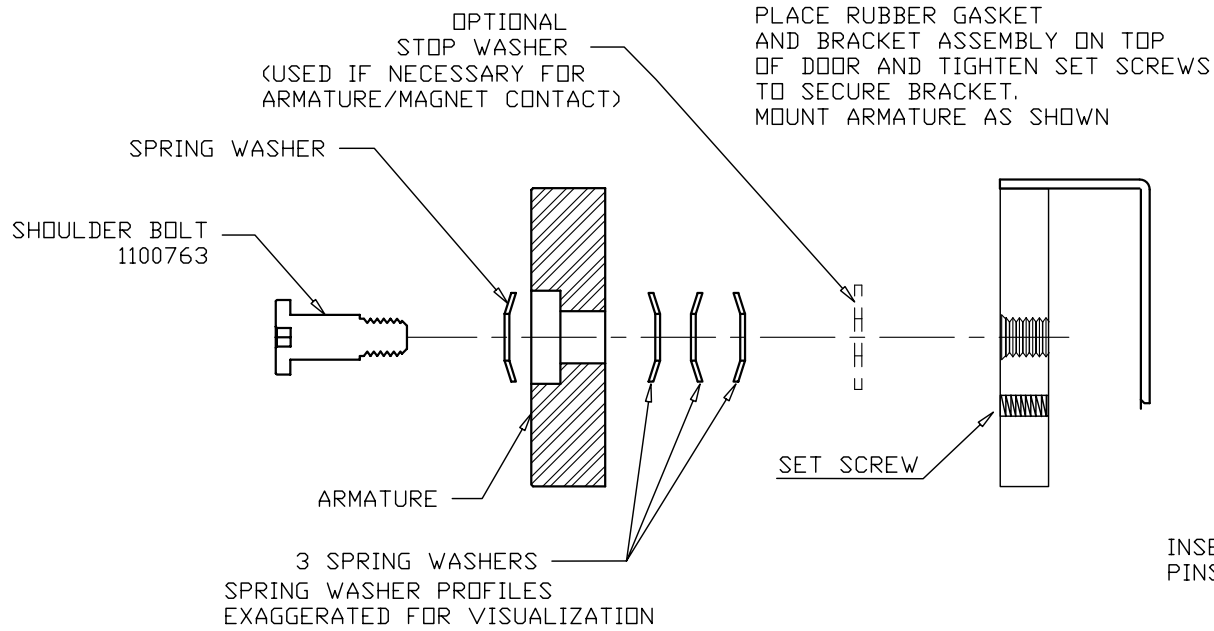
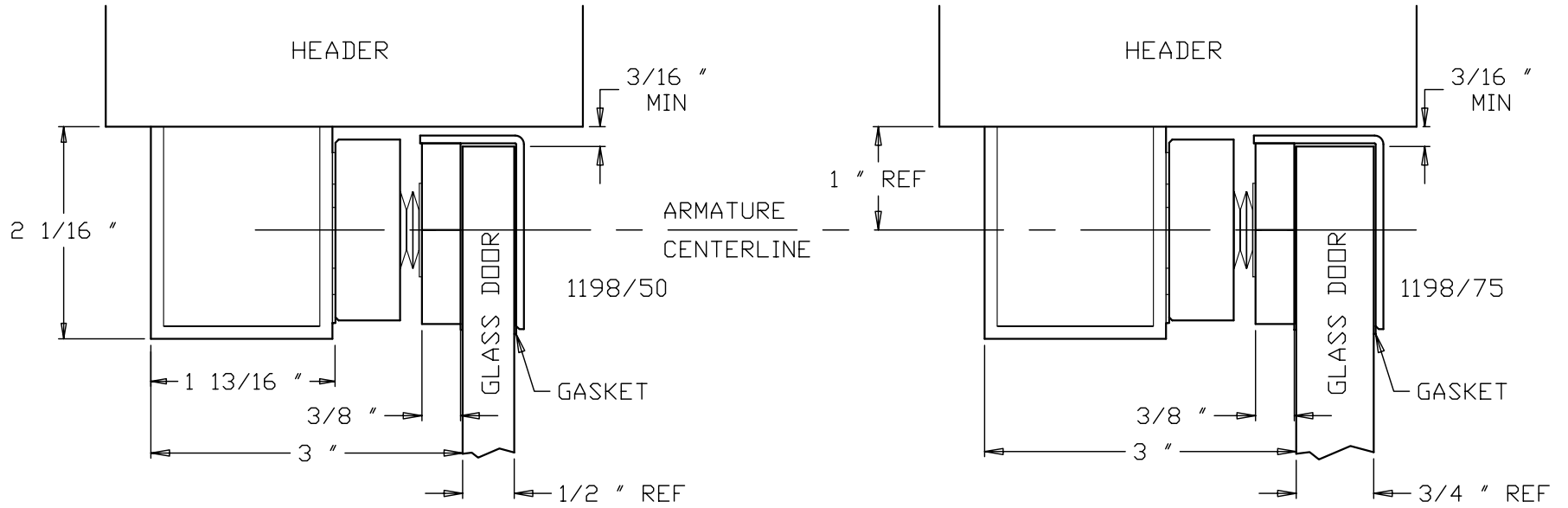
1198 Series Herculite Door Bracket assembly

Available for all 1100 series locks Specify model number when ordering
Stainless Steel angle with aluminum armature mounting plate
For $\frac{1}{2}$ " Thick glass 1198-50 For $\frac{3}{4}$ " Thick glass 1198-75

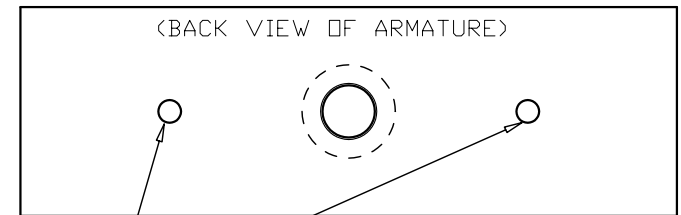


ARMATURE ATTACHED TO 1198 SERIES "U" BRACKET ON ALL-GLASS DOOR. (FILLER PLATE OR ANGLE BRACKET AS REQUIRED)

ARMATURE ATTACHED TO 1198 SERIES "U" BRACKET ON ALL-GLASS DOOR



INSERT 3/4" ARMATURE PINS PROVIDED IN PLACE OF STANDARD 1" PINS OTHERWISE ARMATURE WILL NOT MOUNT PROPERLY



INSERT 3/4" PINS HERE

DORTRONICS SYSTEMS, INC.			
TITLE 1198 SERIES ASSEMBLY MOUNTING INSTRUCTIONS			
DATE 2/2/04	FILE 1198 MOUNTING		
DRAWN JTF	SHEET 1	OF 1	SIZE A