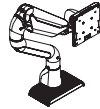
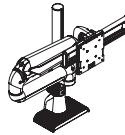




EH5-D1L
0-25 lbs
49" Max



EH5-D1
5-45 lbs
49" Max



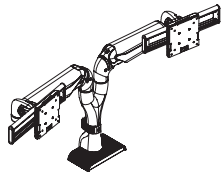
EH5G-P01SD
0-25 lbs
49" Max



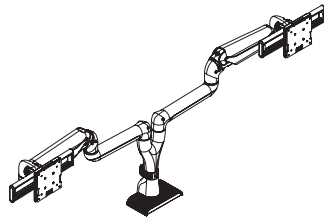
EH5G-P01
0-45 lbs
49" Max



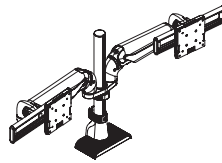
EH5G-P11
0-30 lbs per monitor
49" Max



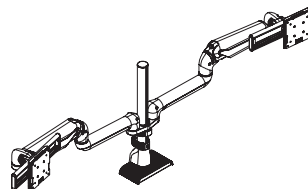
EH5-D2
0-25 lbs per monitor
32" Max



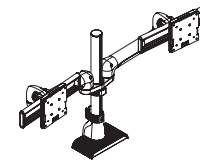
EH5G-D2SD
0-20 lbs per monitor
44" Max



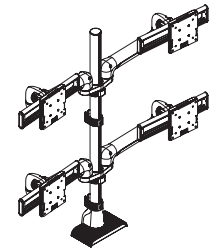
EH5G-P02D
0-25 lbs per monitor
32" Max



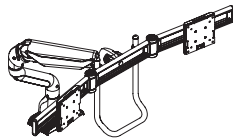
EH5G-P02SD
0-20 lbs per monitor
44" Max



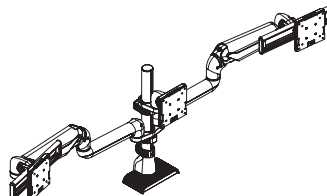
EH5G-P02S
0-25 lbs per monitor
32" Max



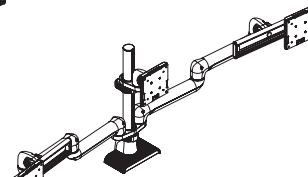
EH5G-P22S
0-15 lbs per monitor
27" Max



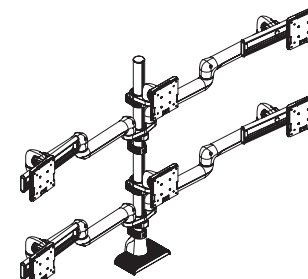
EH5G-D2C
0-15 lbs per monitor
32" Max



EH5G-P03SD
0-20 lbs per monitor
27" Max



EH5G-P03SS
0-20 lbs per monitor
27" Max



EH5G-P33SS
0-10 lbs per monitor
27" Max

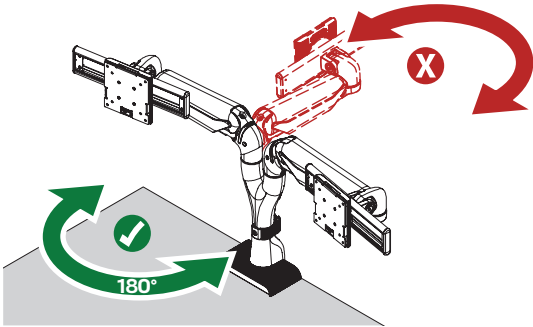
TABLE OF CONTENTS

SECTION	PAGE
Important Instructions	3
Parts List	4
EH5 Single Arm	
a.EH5-D1L	6
b.EH5-D1.....	6
EH5 Dual Arm	
a.EH5-D2	7
b.EH5G-D2SD.....	8
EH5 Single Pole	
a.EH5G-P01SD.....	9
a.EH5G-P01	10
b.EH5G-P11	11
EH5 Dual Pole	
a.EH5G-P02D	12
b.EH5-P02SD	13
c. E5-P02S.....	14
d.EH5-P22S.....	15
EH5 Triple Pole	
a.EH5G-P03SD.....	16
b.EH5G-P03SS	17
c. E5G-P33SS	18
EH5 Dual Bar	
EH5G-D2C	19
Mounting Configurations	
a. C-Clamp	20
b. Grommet	22
Dual Adapter Installation	23
Pole Installation	
a. Single Tier.....	24
b. Dual Tier	24
Push Button Quick Connection	25
Yoke Height Adjustment	
a. Single Yoke.....	26
b. Dual Yoke.....	26
VESA Plate	
a. Removal from Tilter/Slider	27
b. Assembly to Monitor and Tilter/Slider	28
Dynamic Arm Counterbalance	29
Rotation Stop Adjustments	30
Cable Management	32

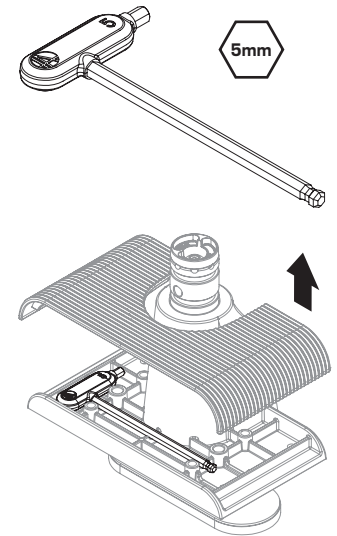
IMPORTANT INSTRUCTIONS

WARNING


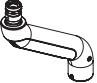
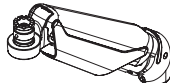
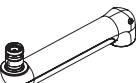




- Do not use power tools during assembly.
- The monitors shall not be positioned behind the edge of the desk.
- It is highly recommended to engage the 180° rotation stop.




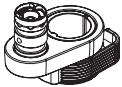
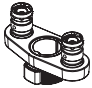

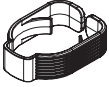
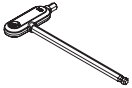
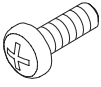
TOOL INCLUDED

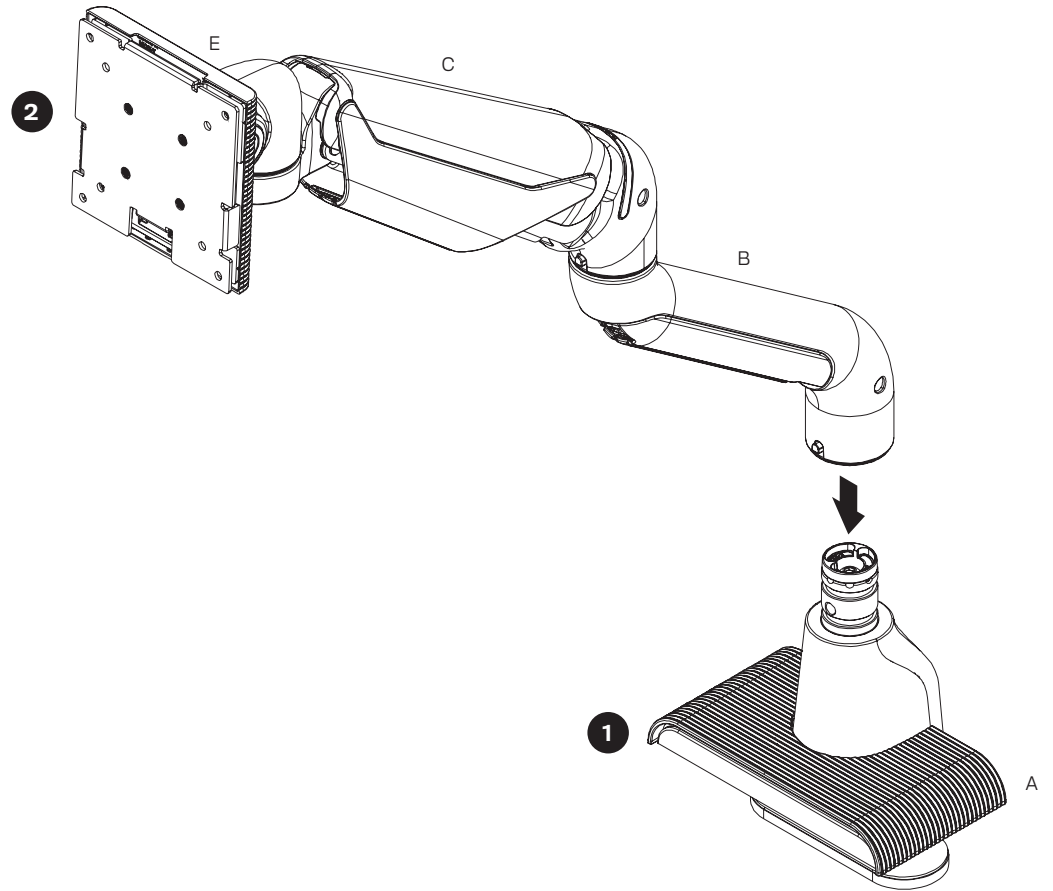


PARTS LIST

	EH5G-P01	EH5G-P01SD	EH5-D1X	EH5-D2	EH5G-D2SD	EH5G-D2C	EH5G-P11	EH5G-P02S	EH5G-P02D	EH5G-P02SD	EH5G-P03SS	EH5G-P03SD	EH5G-P22S	EH5G-P33SS
A 418028 (includes 1x 118311) 	1x	1x	1x	1x	1x	1x	1x	1x	1x	1x	1x	1x	1x	1x
B 418082 	-	-	1x	-	-	1x	-	-	-	-	-	-	-	-
C 418090 	-	1x	1x	2x	2x	1x	-	-	2x	2x	-	2x	-	-
D 418171 	-	1x	-	-	2x	-	-	2x	-	2x	4x	2x	4x	8x
E 418045 (includes 1x 702096) 	1x	-	1x	-	-	-	2x	-	-	-	1x	1x	-	2x
F 418123 (includes 1x 702096) 	-	1x	-	2x	2x	-	-	2x	2x	2x	2x	2x	4x	4x
G 418131 	-	-	-	1x	1x	-	-	-	-	-	-	-	-	-
H 418160-14 	1x	1x	-	-	-	-	1x	1x	1x	1x	1x	1x	1x	1x

PARTS LIST CONTINUED

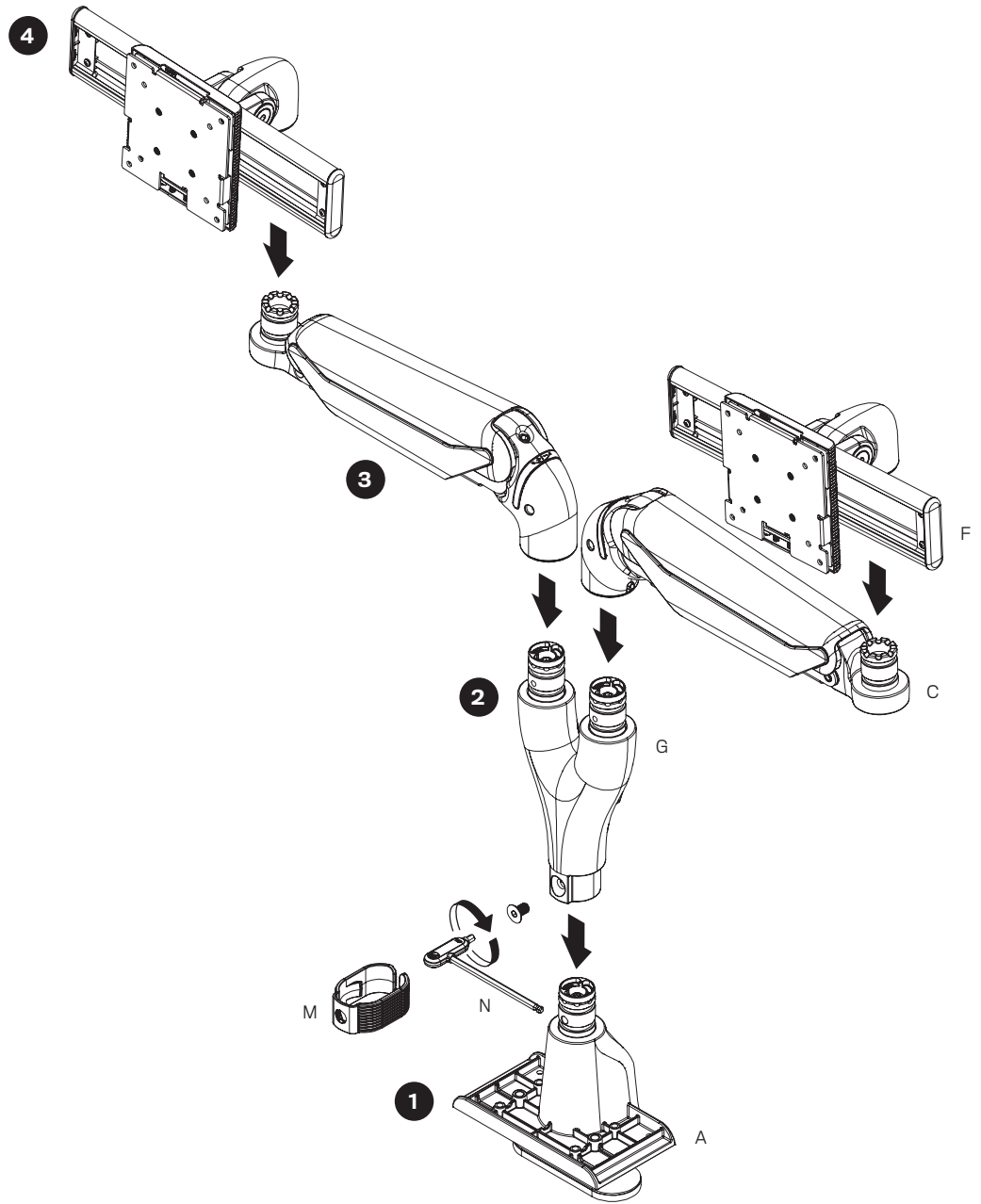
	EH5G-P01	EH5G-P01SD	EH5-D1X	EH5-D2	EH5G-D2SD	EH5G-D2C	EH5G-P11	EH5G-P02S	EH5G-P02D	EH5G-P02SD	EH5G-P03SS	EH5G-P03SD	EH5G-P22S	EH5G-P33SS
I 418340 	-	-	-	-	-	-	1x	-	-	-	-	-	1x	1x
J 418165 	1x	1x	-	-	-	-	2x	-	-	-	1x	1x	-	2x
K 418167 	-	-	-	-	-	-	-	1x	1x	1x	1x	1x	2x	2x
L 418178 	-	-	-	-	-	1x	-	-	-	-	-	-	-	-
M 118134 	1x	1x	-	1x	1x	-	2x	1x	1x	1x	1x	1x	2x	2x
N 118311 	1x	1x	1x	1x	1x	1x	1x	1x	1x	1x	1x	1x	1x	1x
O 702096 	4x	4x	4x	8x	8x	8x	8x	8x	8x	8x	8x	12x	16x	24x



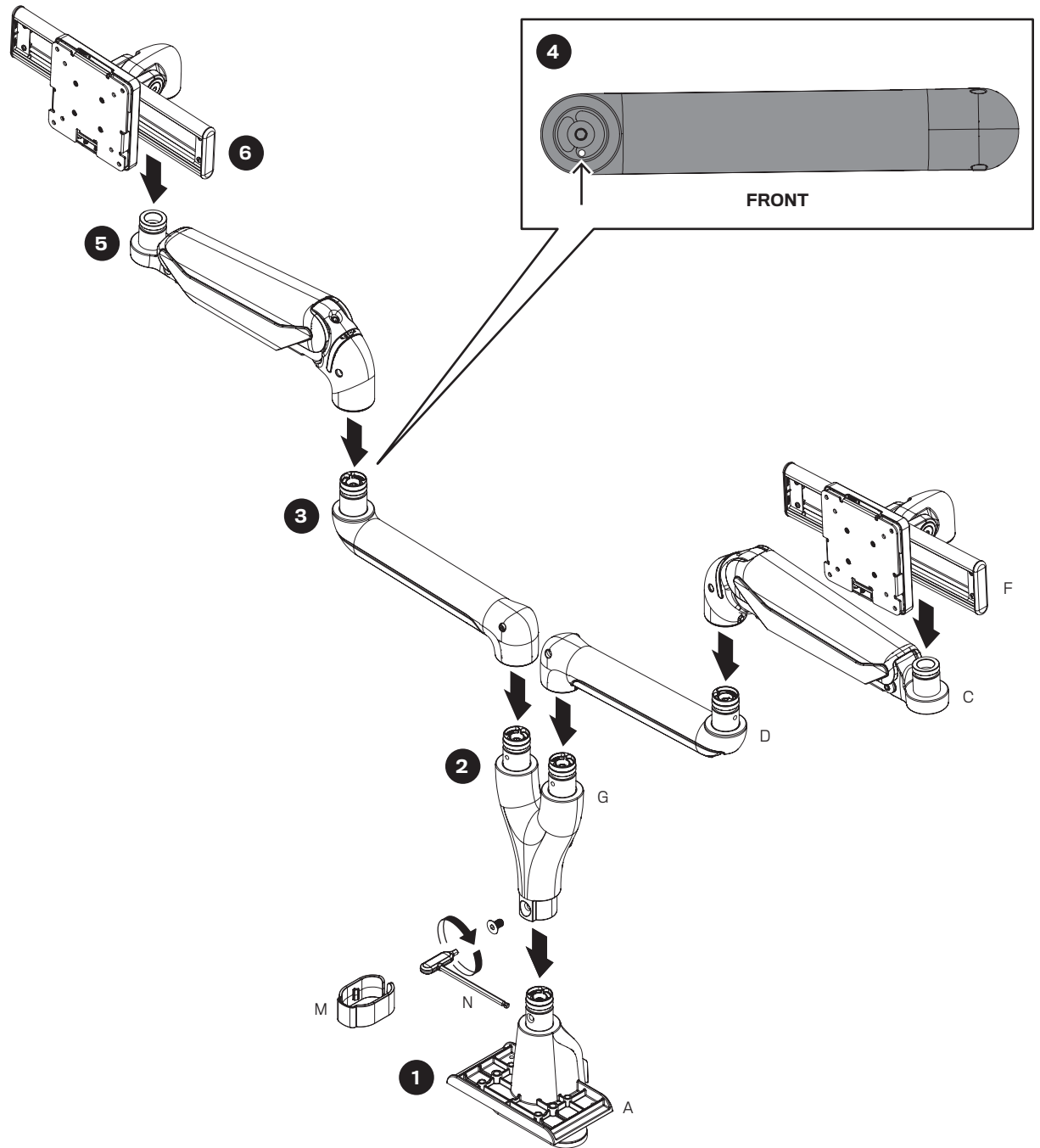
1 Secure Top Down Mount (A) to worksurface.
(see pages 20 - 22)

2 Insert pre-assembled B+C+E into Mount (A).

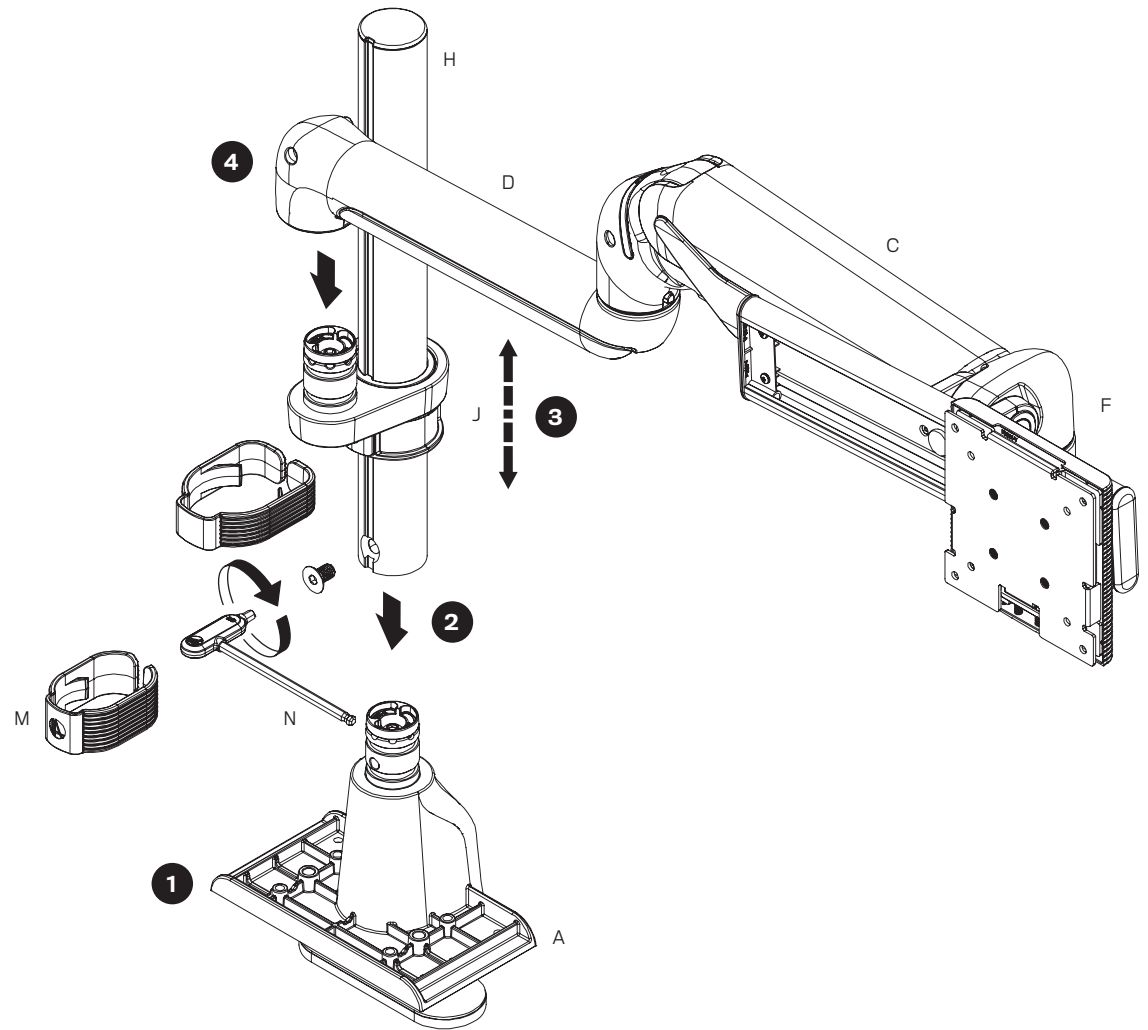
- 1** Secure Top Down Mount (A) to worksurface.
(see pages 20 - 22)
- 2** Insert and secure Dual Adapter (G) into Mount (A) using provided mount screw (blue-taped to Dual Adapter) and 5mm HAT Hex Key. Snap Cable Clip (M).
- 3** 2x Insert Dynamic Arm (C) to Dual Adapter (G).
- 4** 2x Insert Slider (F) to Dynamic Arm (C).



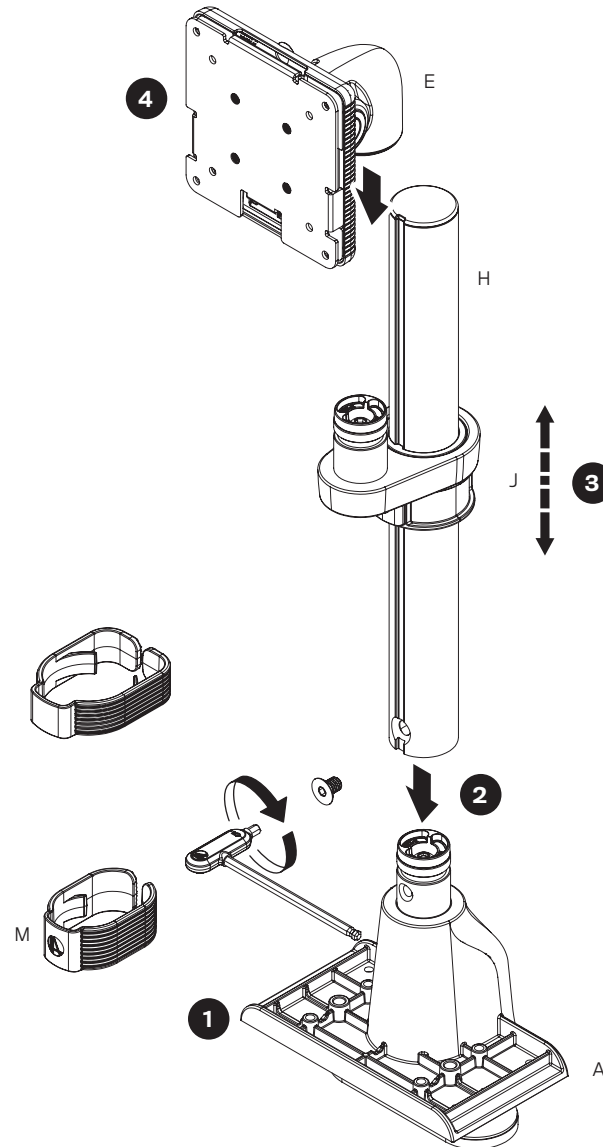
- 1** Secure Top Down Mount (A) to worksurface. **(see pages 20 - 22)**
- 2** Insert and secure Dual Adapter (G) into Mount (A) using provided mount screw (blue-taped to Dual Adapter) and 5mm HAT Hex Key. Snap Cable Clip (M).
- 3** 2x Insert 10" Straight Link Extension Arm (D) to Dual Adapter (G).
- 4** 2x Align rotation stop indicator centered towards user. **(see page 30)**
- 5** 2x Insert Dynamic Arm (C) to 10" Straight Link Extension Arm (D).
- 6** 2x Insert Slider (F) to Dynamic Arm (C).



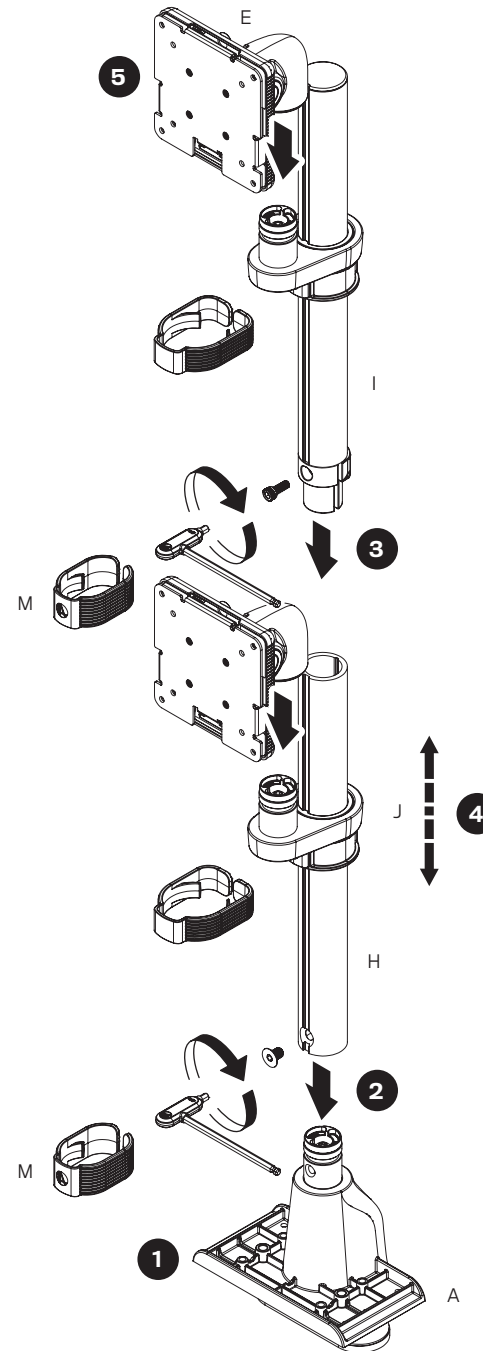
- 1** Secure Top Down Mount (A) to worksurface. **(see pages 20 - 22)**
- 2** Insert and secure Pole (H) into Mount (A) using provided mount screw (blue-taped to Pole) and 5mm HAT Hex Key. Snap Cable Clip (M).
- 3** Adjust the height of Single Yoke (J) on the Pole if needed. **(see page 26)**
- 4** Insert pre-assembled D+C+F into Single Yoke (J).



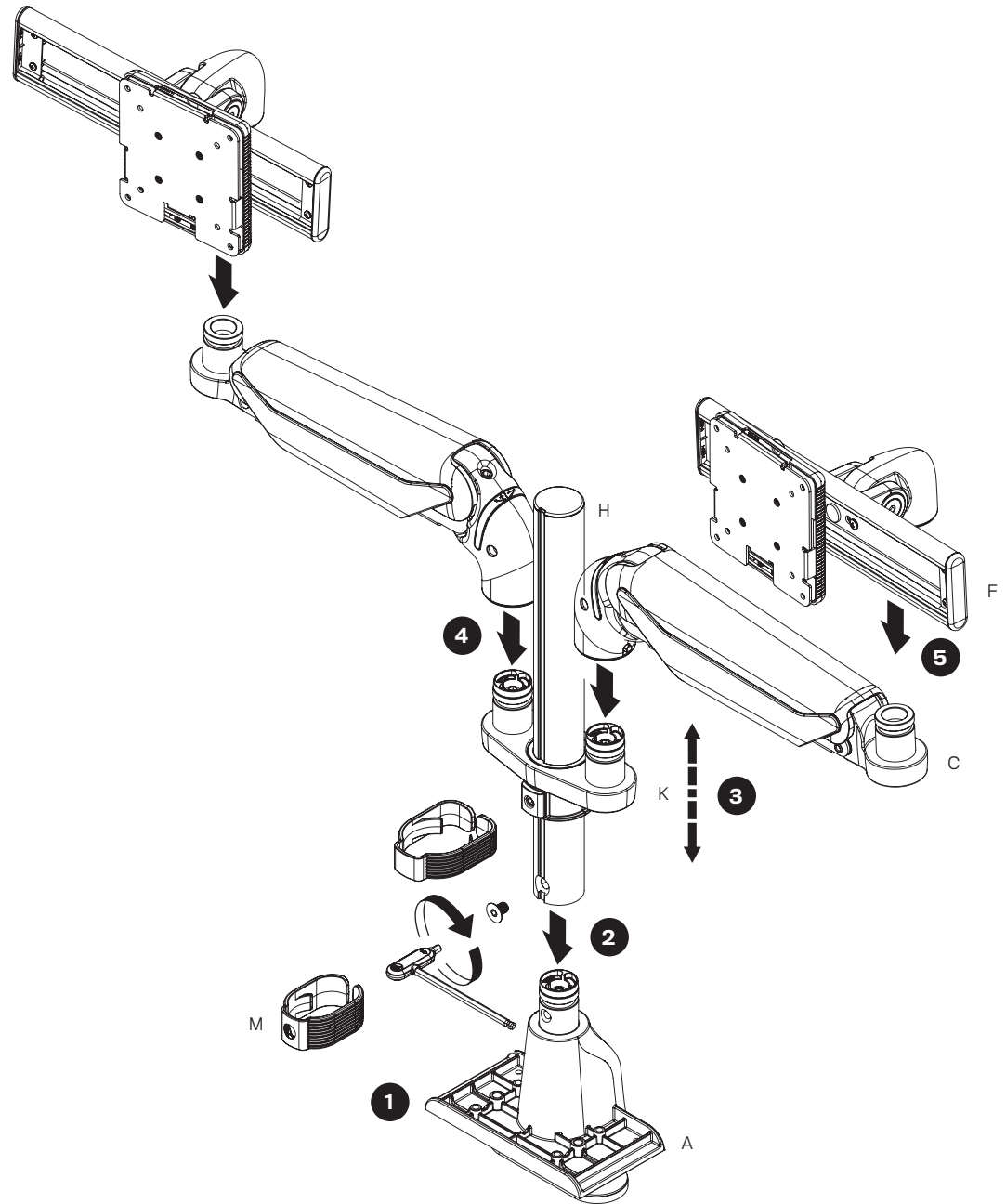
- 1** Secure Top Down Mount (A) to worksurface.
(see pages 20 - 22)
- 2** Insert and secure Single Tier Pole (H) into Mount (A) using provided mount screw (blue-taped to Pole) and 5mm HAT Hex Key. Snap Cable Clip (M).
- 3** Adjust the height of Single Yoke (J) on the Single Tier Pole if needed.
(see page 26)
- 4** Insert Tilter (E) into Single Yoke (J).



- 1** Secure Top Down Mount (A) to worksurface.
(see pages 20 - 22)
- 2** Insert and secure Single Tier Pole (H) into Mount (A) using provided mount screw (blue-taped to Pole) and 5mm HAT Hex Key. Snap Cable Clip (M).
- 3** Align and secure Dual Tier Pole (I) into Single Tier Pole (H) using pre-installed pole screw and 5mm HAT Hex Key. Snap Cable Clip (M).
(see page 24)
- 4** 2x Adjust the height of Single Yoke (J) on the Pole if needed.
(see page 26)
- 5** 2x Insert Tilter (E) into Single Yoke (J).

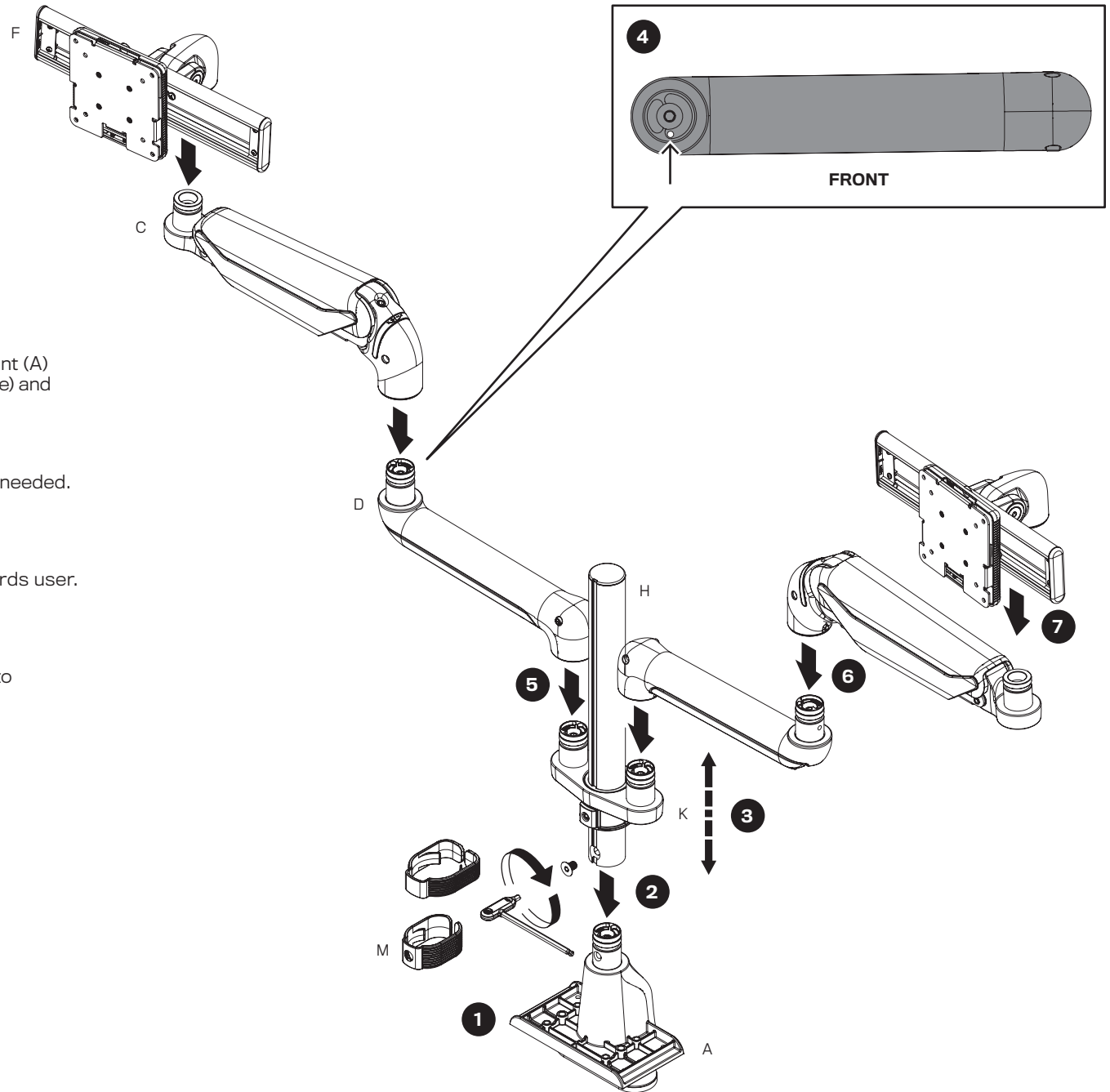


- 1** Secure Top Down Mount (A) to worksurface.
(see pages 20 - 22)
- 2** Insert and secure Single Tier Pole (H) into Mount (A) using provided mount screw (blue-taped to Pole) and 5mm HAT Hex Key. Snap Cable Clip (M).
- 3** Adjust the height of Dual Yoke (K) on the Pole if needed.
(see page 26)
- 4** 2x Insert Dynamic Arm (C) to Dual Yoke (K).
- 5** 2x Insert Slider (F) to Dynamic Arm (C).

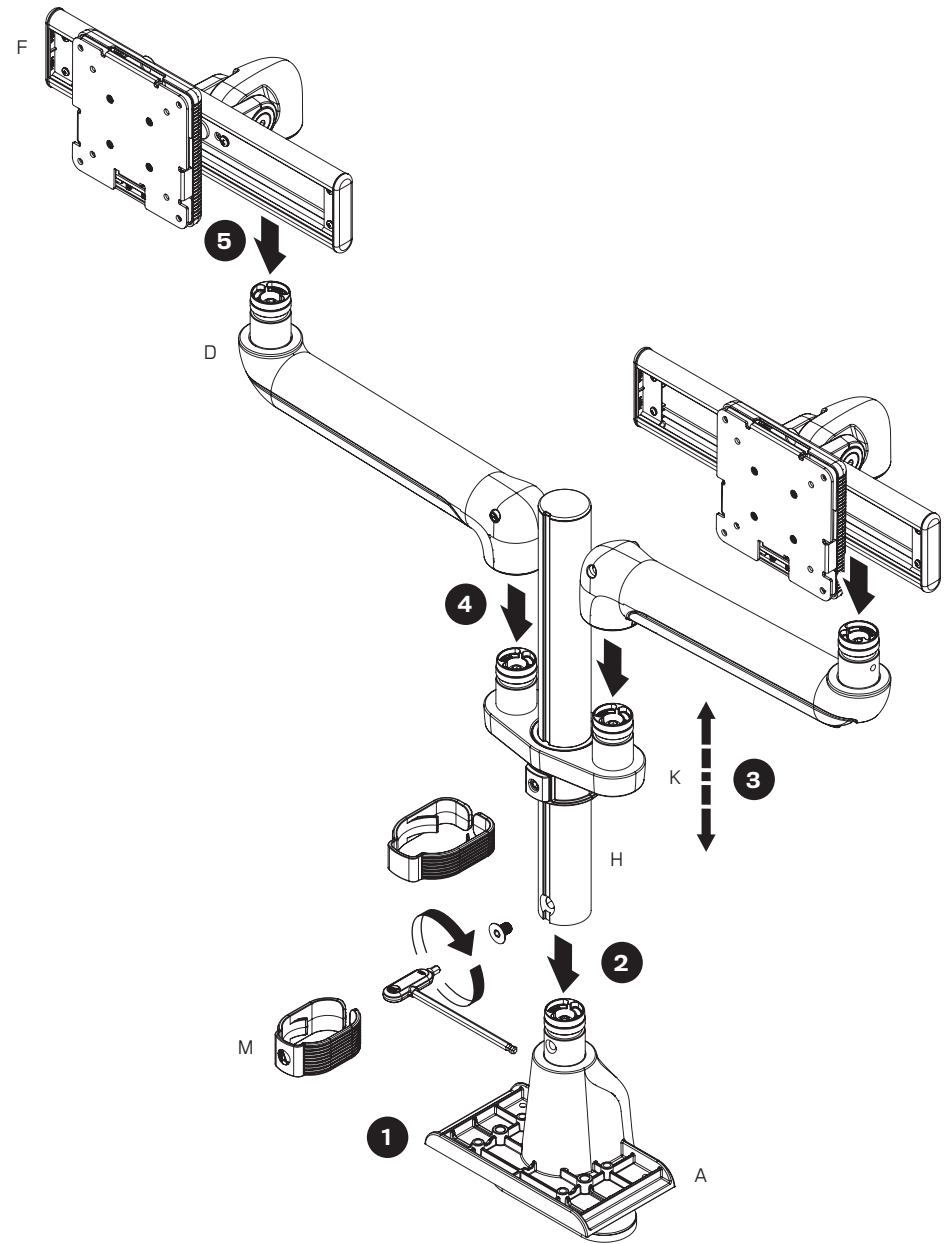


EH5G-P02SD

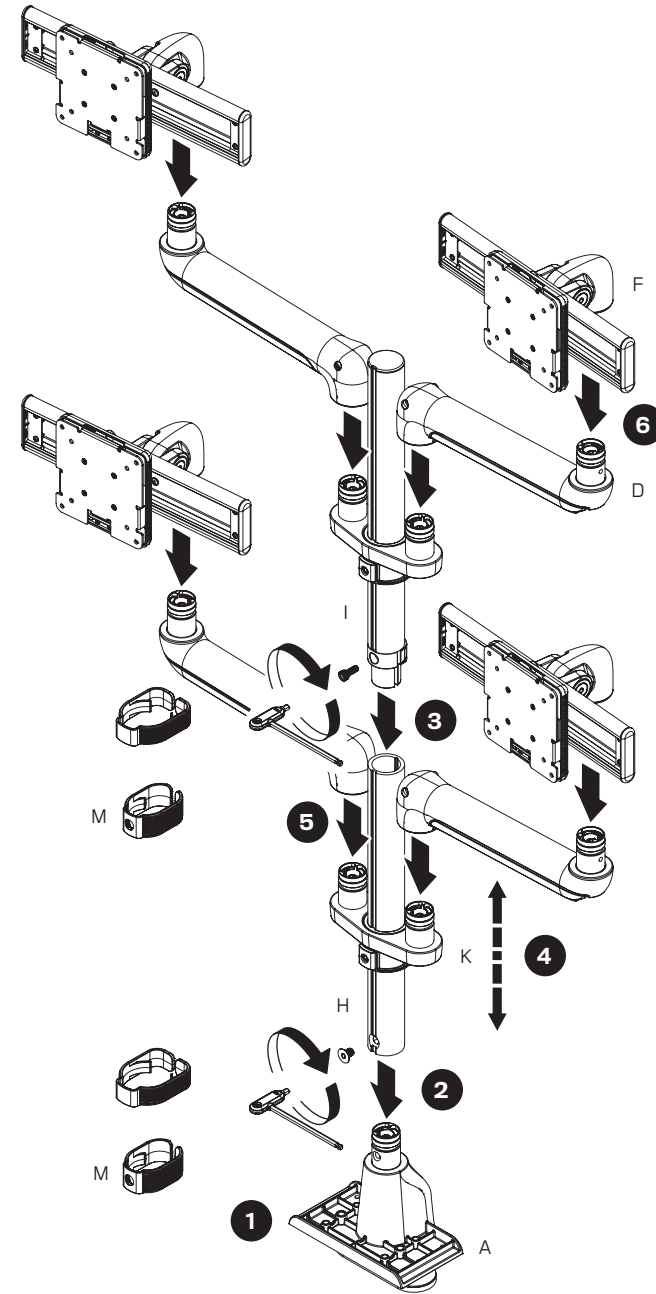
- 1 Secure Top Down Mount (A) to worksurface.
(see pages 20 - 22)
- 2 Insert and secure Single Tier Pole (H) into Mount (A) using provided mount screw (blue-taped to Pole) and 5mm HAT Hex Key. Snap Cable Clip (M).
- 3 Adjust the height of Dual Yoke (K) on the Pole if needed.
(see page 26)
- 4 2x Align rotation stop indicator centered towards user.
(see page 30)
- 5 2x Insert 10" Straight Link Extension Arm (D) into Dual Yoke (K).
- 6 2x Insert Dynamic Arm (C) to 10" Straight Link Extension Arm (D).
- 7 2x Insert Slider (F) to Dynamic Arm (C).



- 1 Secure Top Down Mount (A) to worksurface.
(see pages 20 - 22)
- 2 Insert and secure Single Tier Pole (H) into Mount (A) using provided mount screw (blue-taped to Pole) and 5mm HAT Hex Key. Snap Cable Clip (M).
- 3 Adjust the height of Dual Yoke (K) on the Pole if needed.
(see page 26)
- 4 2x Insert 10" Straight Link Extension Arm (D) into Dual Yoke (K).
- 5 2x Insert Slider (F) to 10" Straight Link Extension Arm (D).

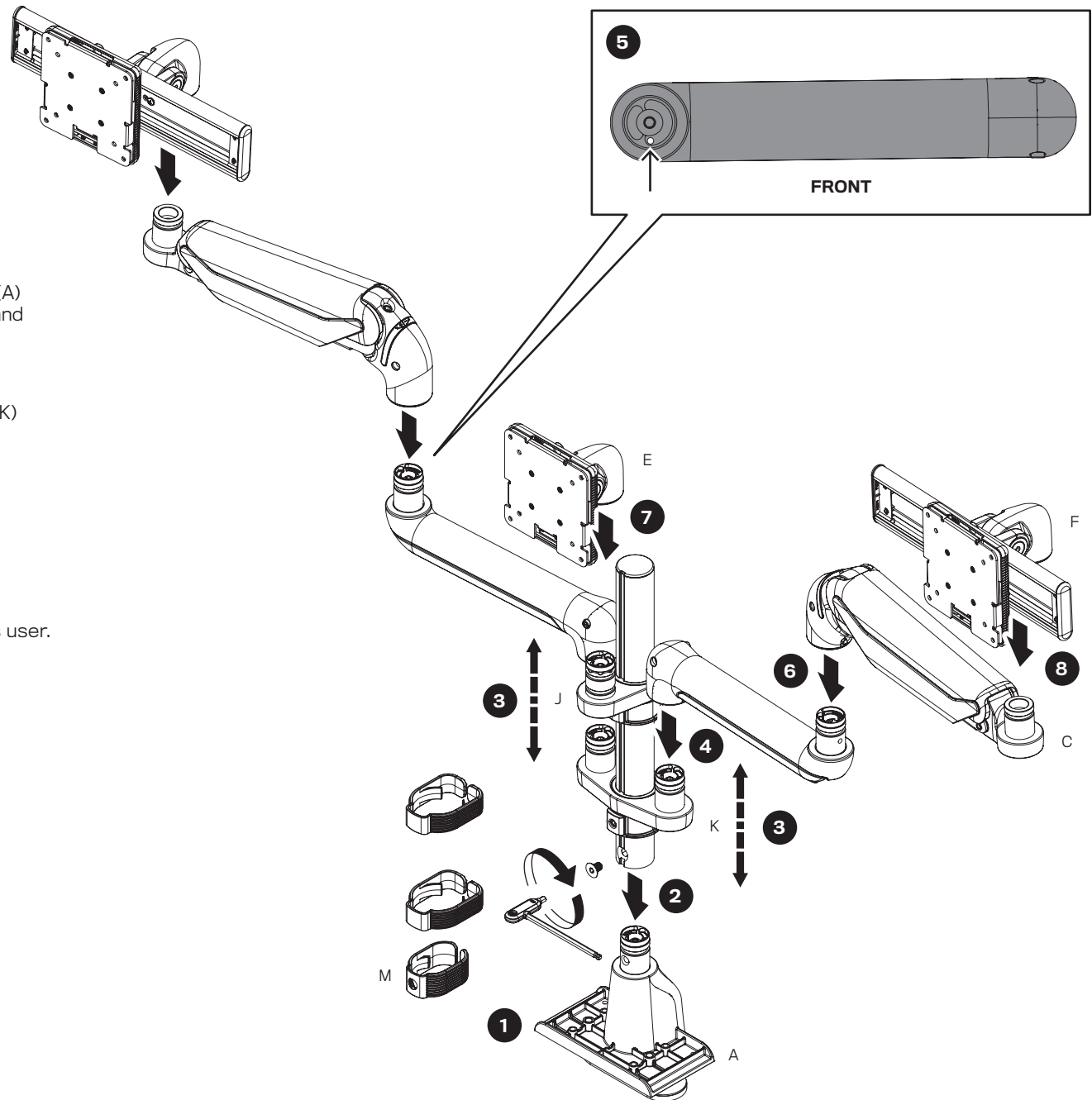


- 1** Secure Top Down Mount (A) to worksurface.
(see pages 20 - 22)
- 2** Insert and secure Single Tier Pole (H) into Mount (A) using provided mount screw (blue-taped to Pole) and 5mm HAT Hex Key. Snap Cable Clip (M).
- 3** Align and secure Dual Tier Pole (I) into Single Tier Pole (H) using pre-installed pole screw and 5mm HAT Hex Key. Snap Cable Clip (M).
(see page 24)
- 4** 2x Adjust the height of Dual Yoke (K) on the Pole if needed.
(see page 26)
- 5** 4x Insert 10" Straight Link Extension Arm (D) into Dual Yoke (K).
- 6** 4x Insert Slider (F) into 10" Straight Link Extension Arm (D).



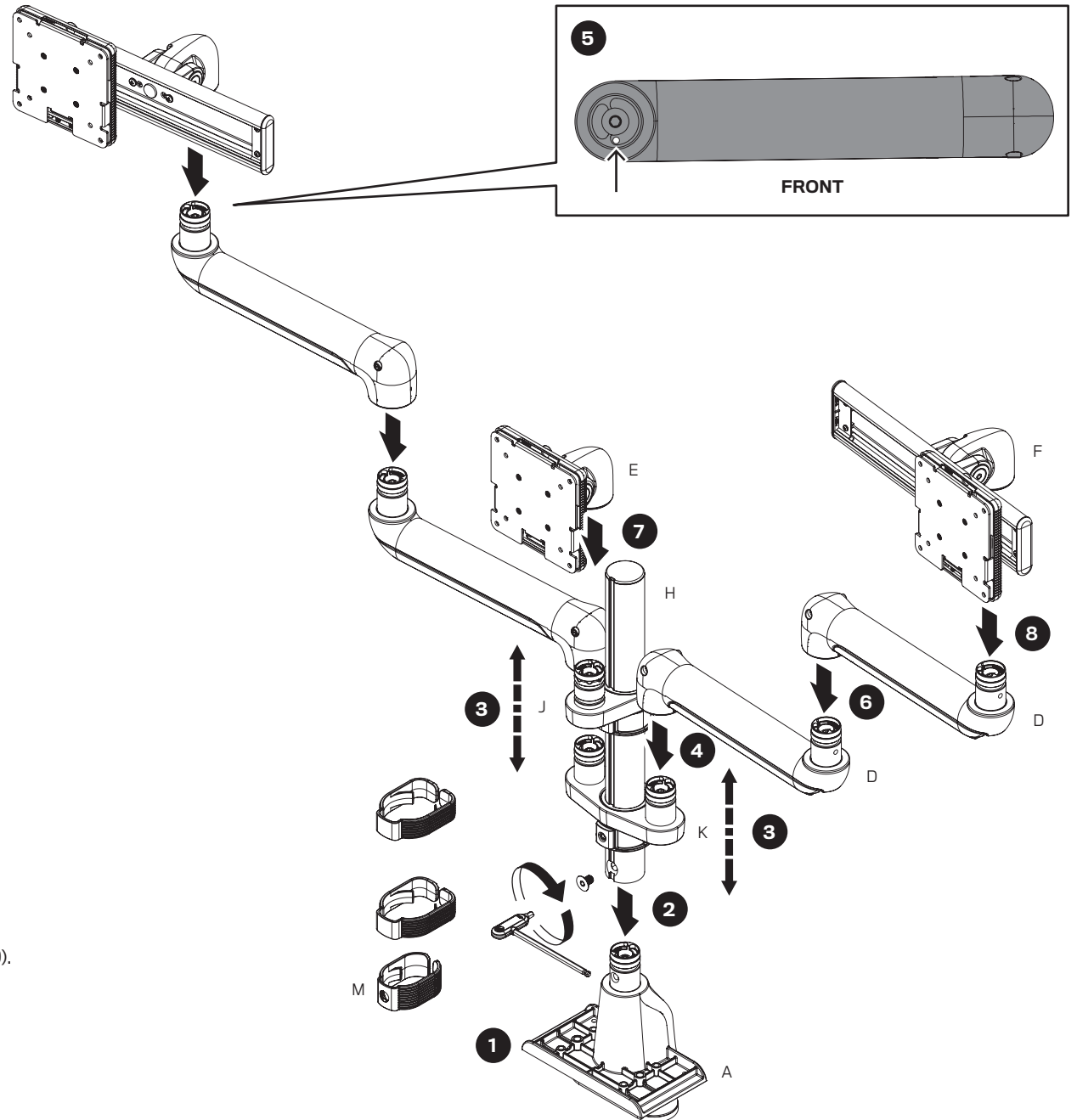
EH5G-P03SD

- 1 Secure Top Down Mount (A) to worksurface.
(see pages 20 - 22)
- 2 Insert and secure Single Tier Pole (H) into Mount (A) using provided mount screw (blue-taped to Pole) and 5mm HAT Hex Key. Snap Cable Clip (M).
- 3 Adjust the height of Single Yoke (J) and Dual Yoke (K) on the Pole if needed.
(see page 26)
- 4 2x Insert 10" Straight Link Extension Arm (D) into Dual Yoke (K).
- 5 2x Align rotation stop indicator centered towards user.
(see page 30)
- 6 2x Insert Dynamic Arm (C) to 10" Straight Link Extension Arm (D).
- 7 Insert Tilter (E) to Single Yoke (J).
- 8 2x Insert Slider (F) to Dynamic Arm (C).

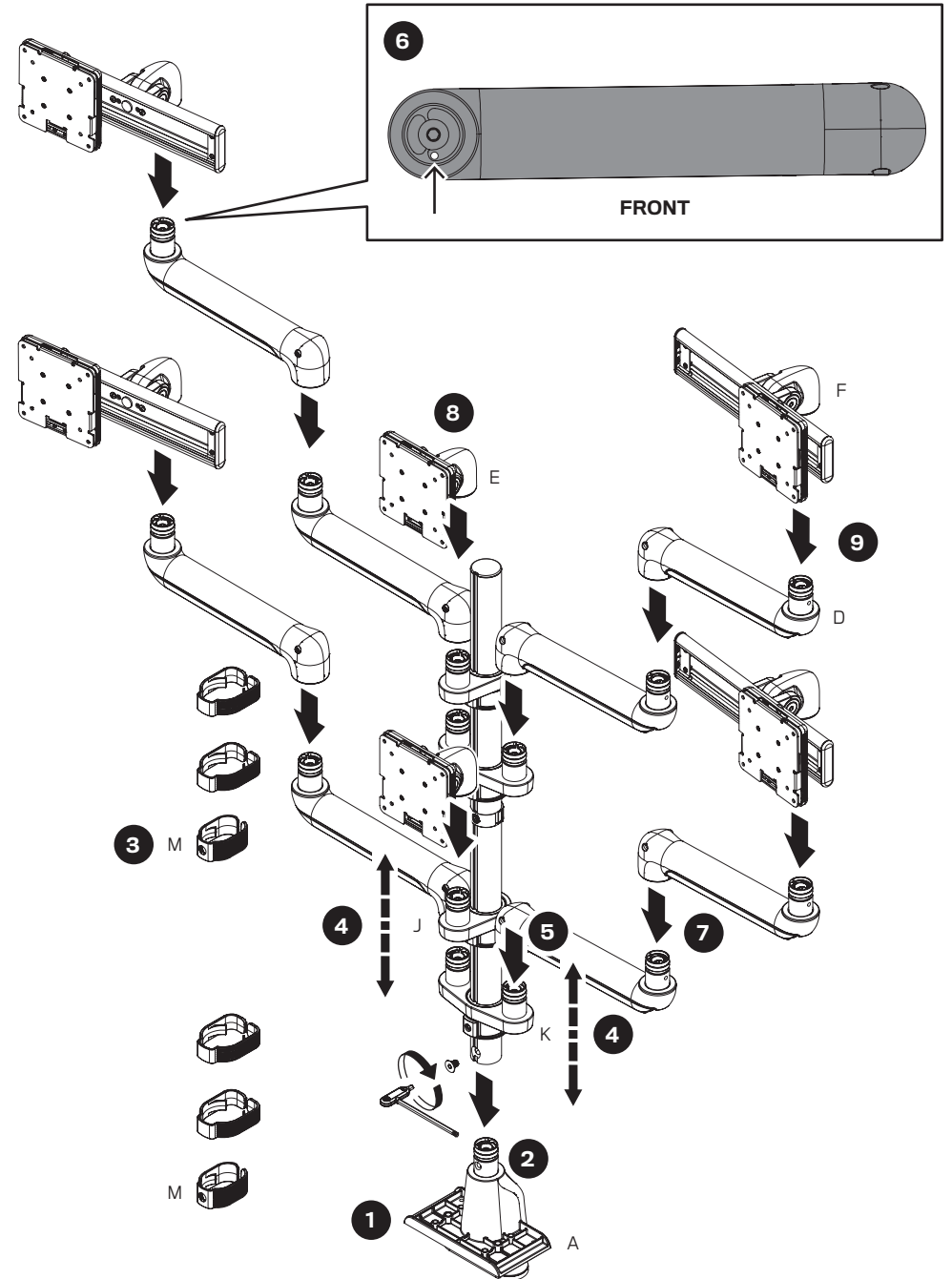


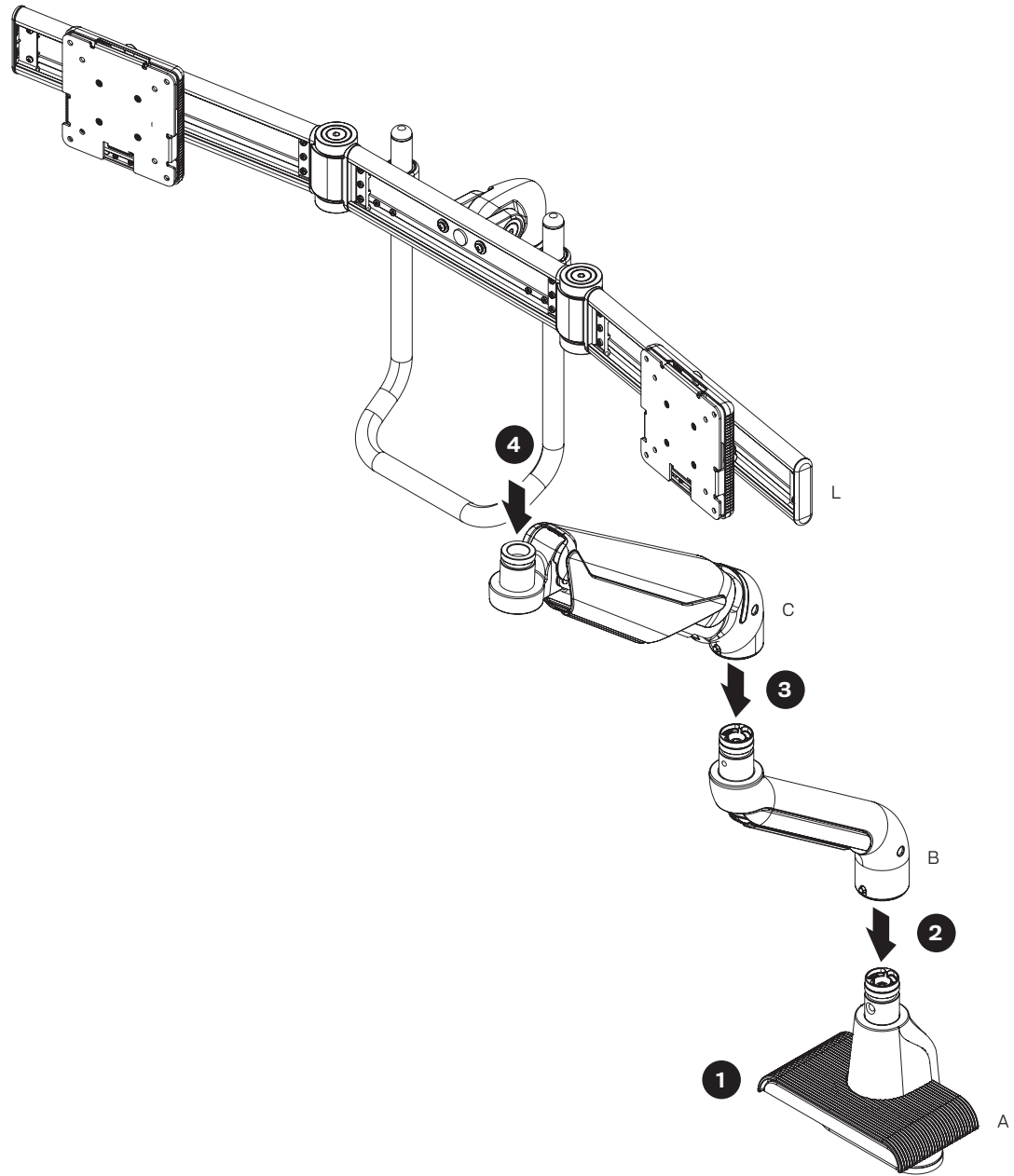
EH5G-P03SS

- 1 Secure Top Down Mount (A) to worksurface.
(see pages 20 - 22)
- 2 Insert and secure Single Tier Pole (H) into Mount (A) using provided mount screw (blue-taped to Pole) and 5mm HAT Hex Key. Snap Cable Clip (M).
- 3 Adjust the height of Single Yoke (J) and Dual Yoke (K) on the Pole if needed.
(see page 26)
- 4 2x Insert 10" Straight Link Extension Arm (D) into Dual Yoke (K).
- 5 2x Align rotation stop indicator centered towards user.
(see page 30)
- 6 2x Insert 10" Straight Link Extension Arm (D) into 10" Straight Link Extension Arm.
- 7 Insert Tilter (E) to Single Yoke (J).
- 8 2x Insert Slider (F) to 10" Straight Link Extension Arm (D).



- 1 Secure Top Down Mount (A) to worksurface.
(see pages 20 - 22)
- 2 Insert and secure Single Tier Pole (H) into Mount (A) using provided mount screw (blue-taped to Pole) and 5mm HAT Hex Key. Snap Cable Clip (M).
- 3 Snap Cable Clip (M).
- 4 Adjust the height of Single Yoke (J) and Dual Yoke (K) on the Pole if needed.
(see page 26)
- 5 4x Insert 10" Straight Link Extension Arm (D) into Dual Yoke (K).
- 6 4x Align rotation stop indicator centered towards user.
(see page 30)
- 7 4x Insert 10" Straight Link Extension Arm (D) into 10" Straight Link Extension Arm.
- 8 2x Insert Tilter (E) to Single Yoke (J).
- 9 4x Insert Slider (F) to 10" Straight Link Extension Arm (D).



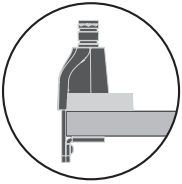


- 1** Secure Top Down Mount (A) to worksurface.
(see pages 20 - 22)
- 2** Insert 45-Degree Angled Link (B) into Mount (A).
- 3** Insert Dynamic Arm (C) into 45-Degree Angled Link (B).
- 4** Insert Dual Crossbar w/Handle (L) into Dynamic Arm (C).

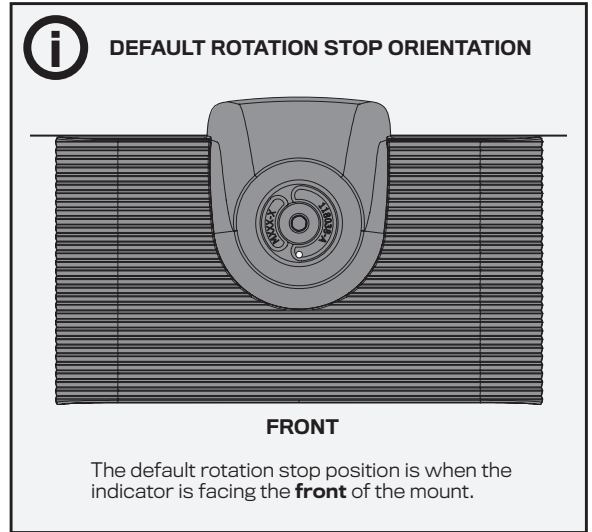
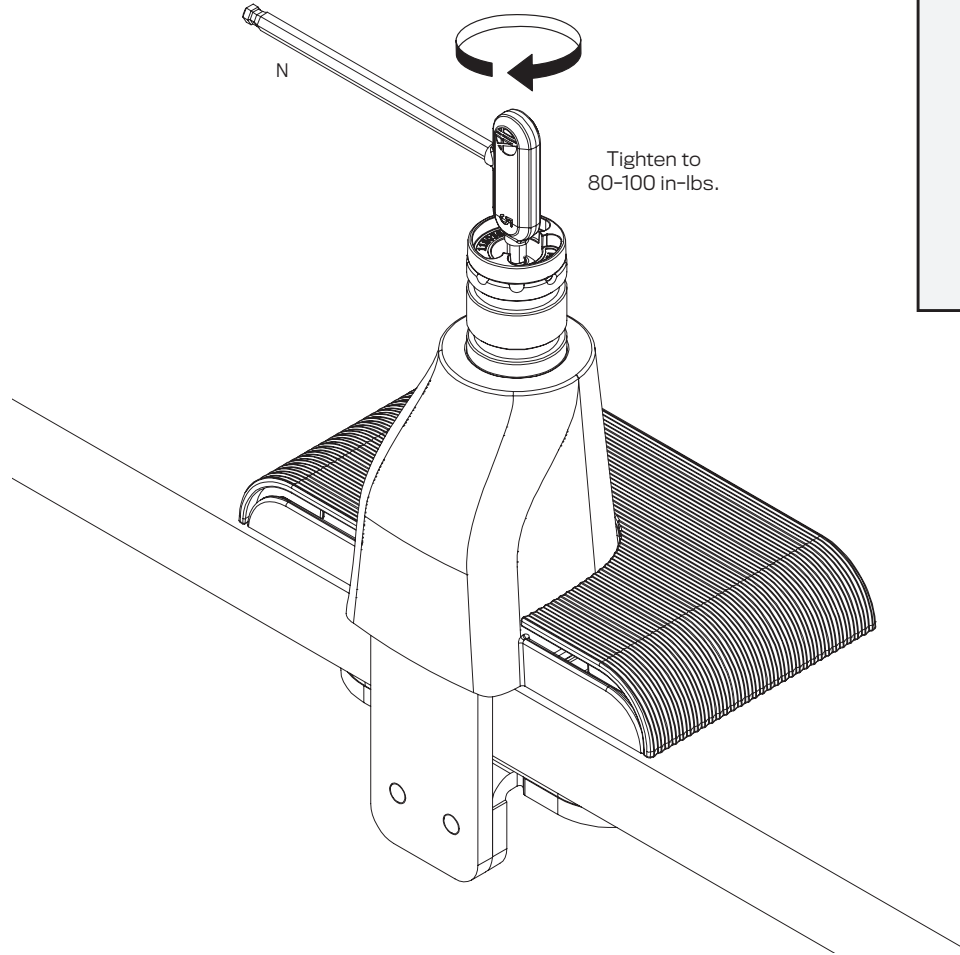
C-CLAMP CONFIGURATION (CONTINUED ON NEXT PAGE)

* Thru-Mount Desk Kit (#RP418075) sold separately.

1

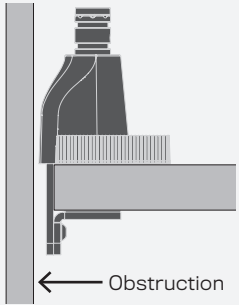


Desk thickness
up to 1.5" (38mm)



C-CLAMP CONFIGURATION - LIMITED SPACE INSTALLATIONS

i **LIMITED SPACE MOUNTING**

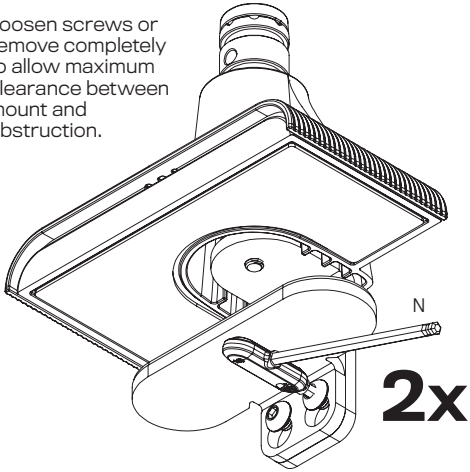


← Obstruction

In instances when there's not enough space to slide the mount assembly onto the desk, the mount can be disassembled to attach to the desk.

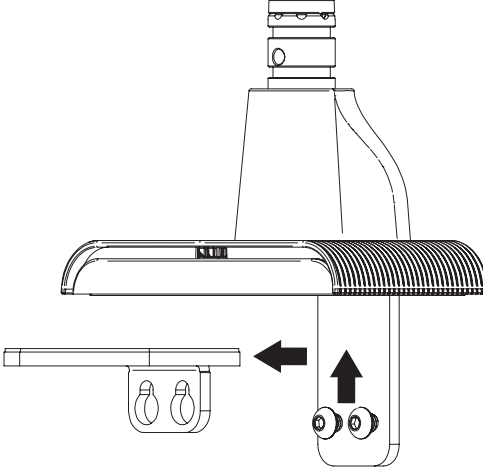
2

Loosen screws or remove completely to allow maximum clearance between mount and obstruction.

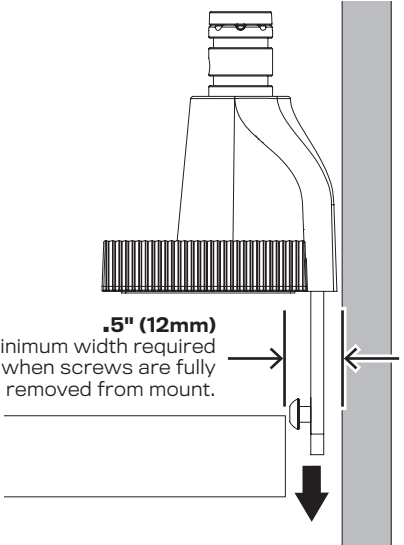


2x

3

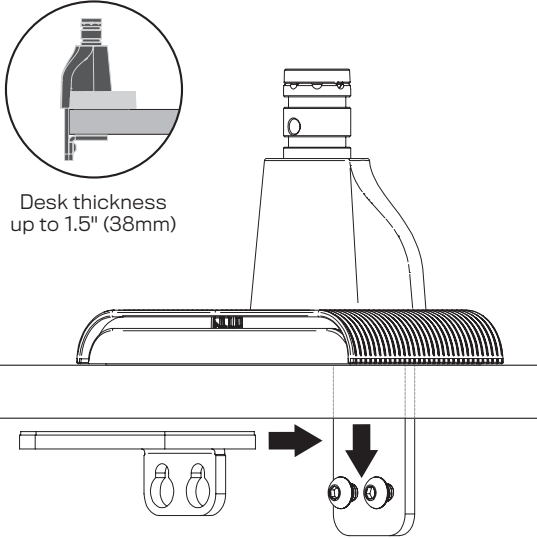


4



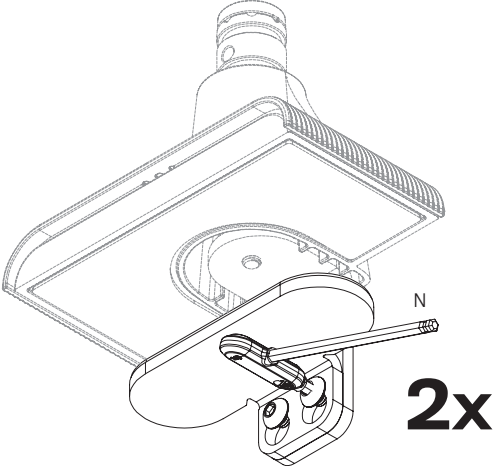
.5" (12mm)
minimum width required when screws are fully removed from mount.

5



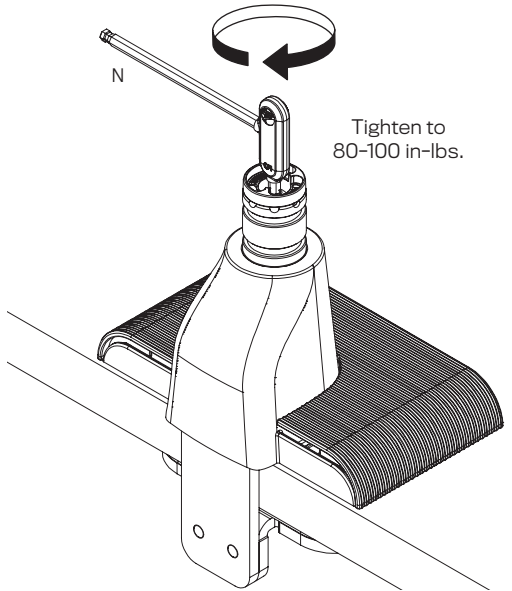
Desk thickness up to 1.5" (38mm)

6



2x

7



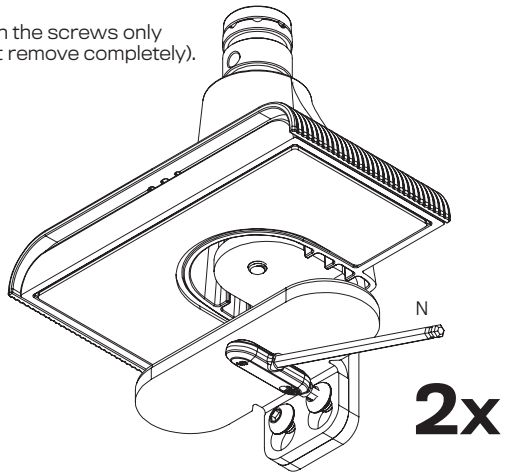
Tighten to 80-100 in-lbs.

N

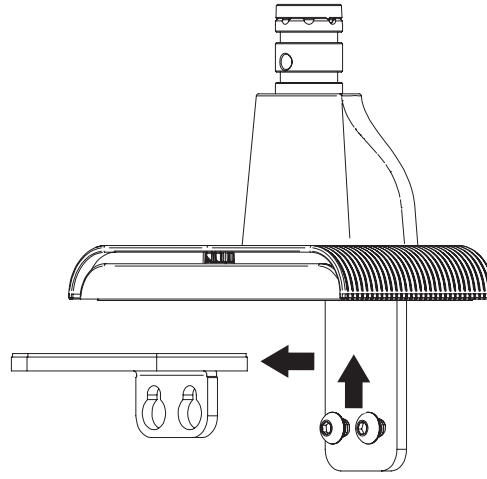
GROMMET CONFIGURATION

8

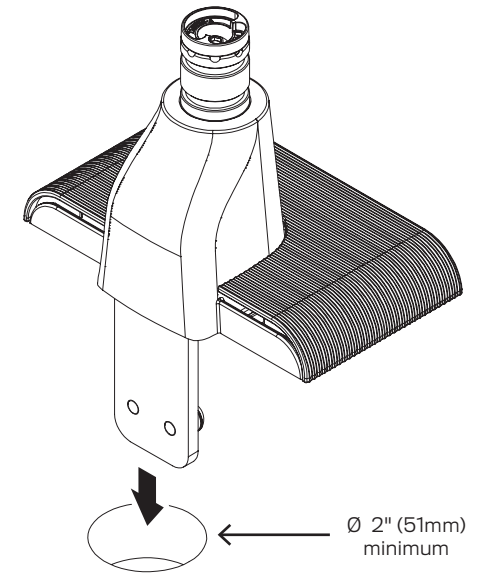
Loosen the screws only
(do not remove completely).



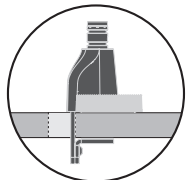
9



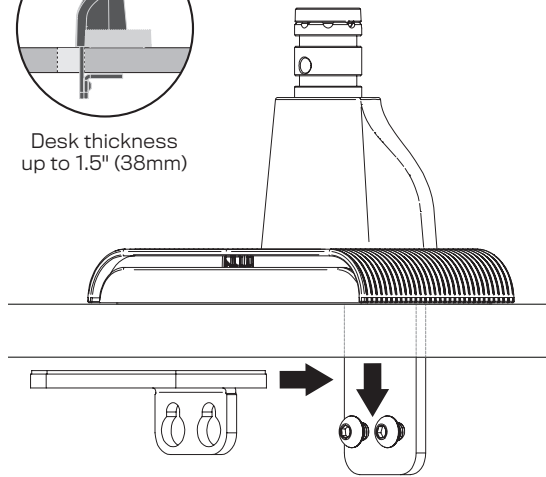
10



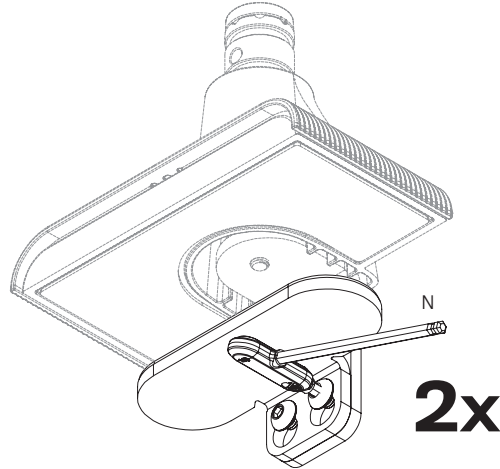
11



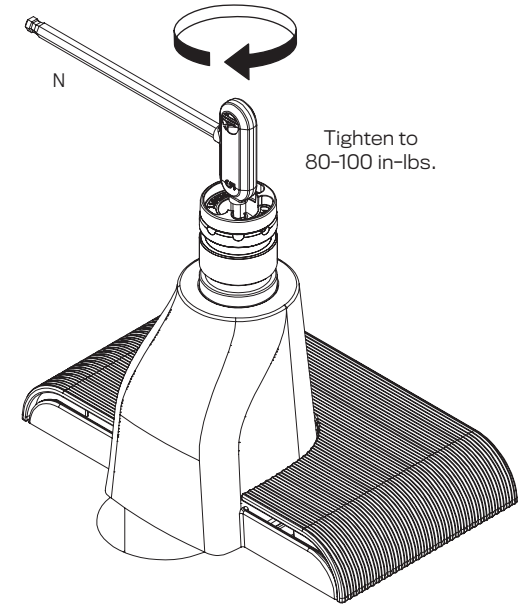
Desk thickness
up to 1.5" (38mm)



12

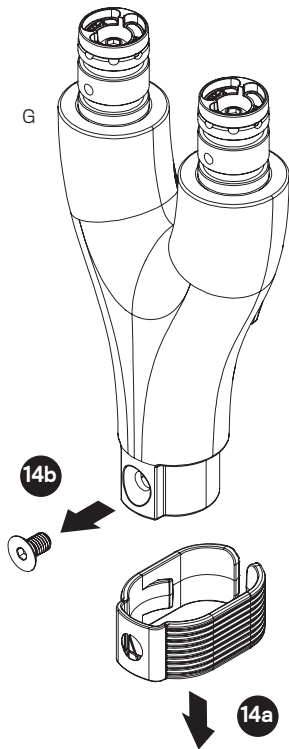


13

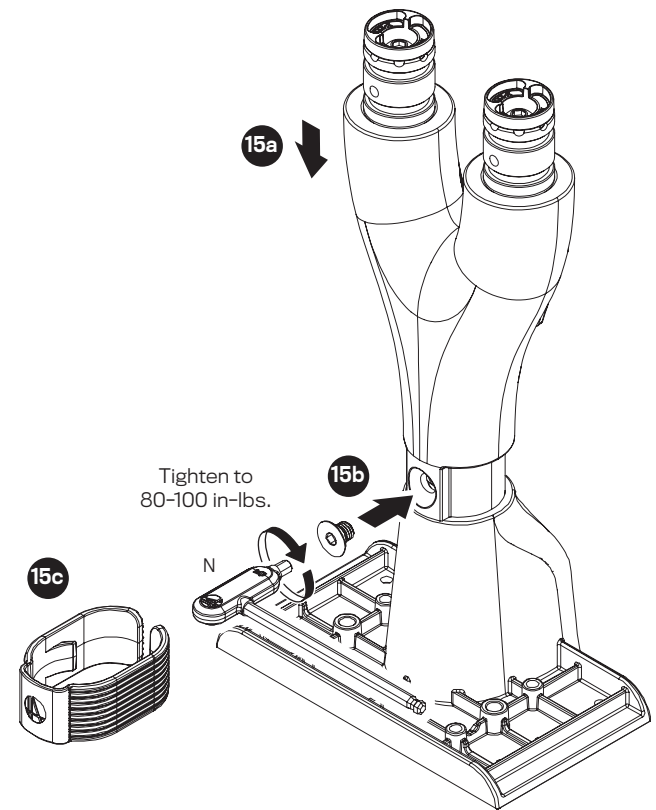


DUAL ADAPTER INSTALLATION

14

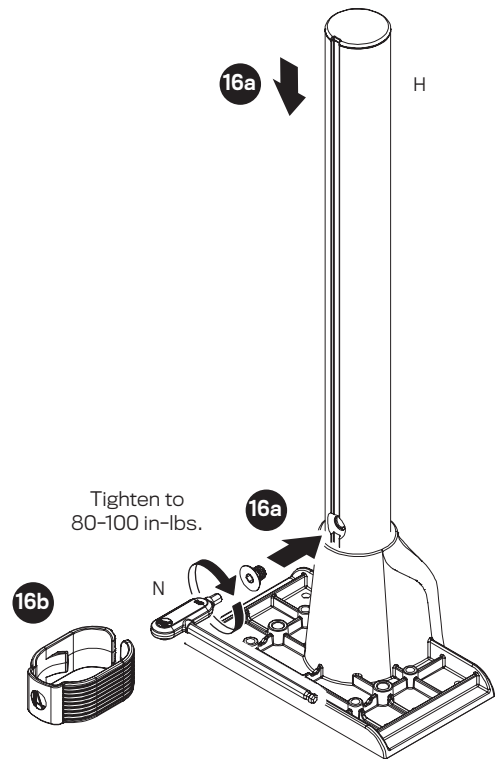


15

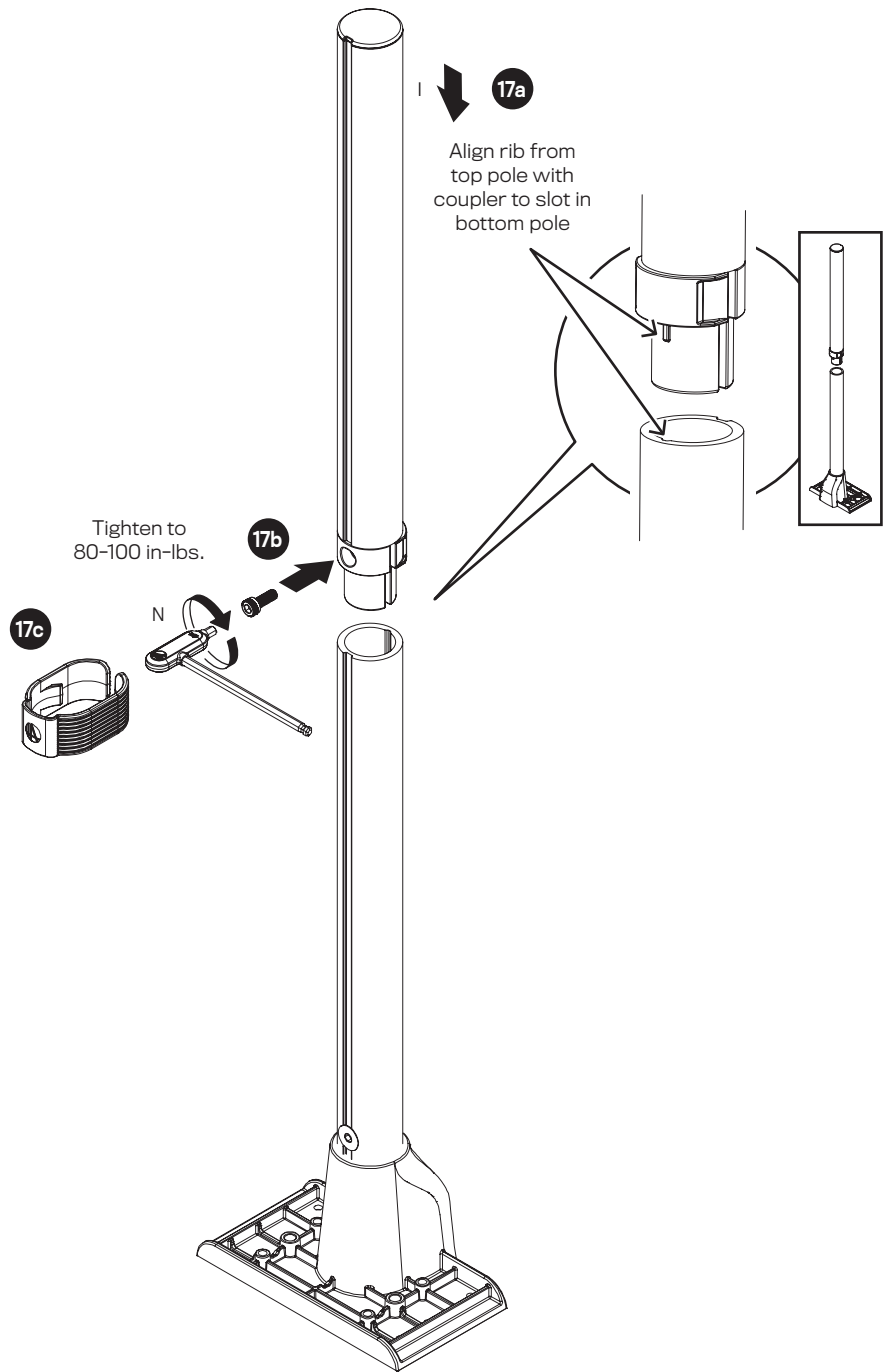


POLE INSTALLATION: SINGLE TIER & DUAL TIER

16

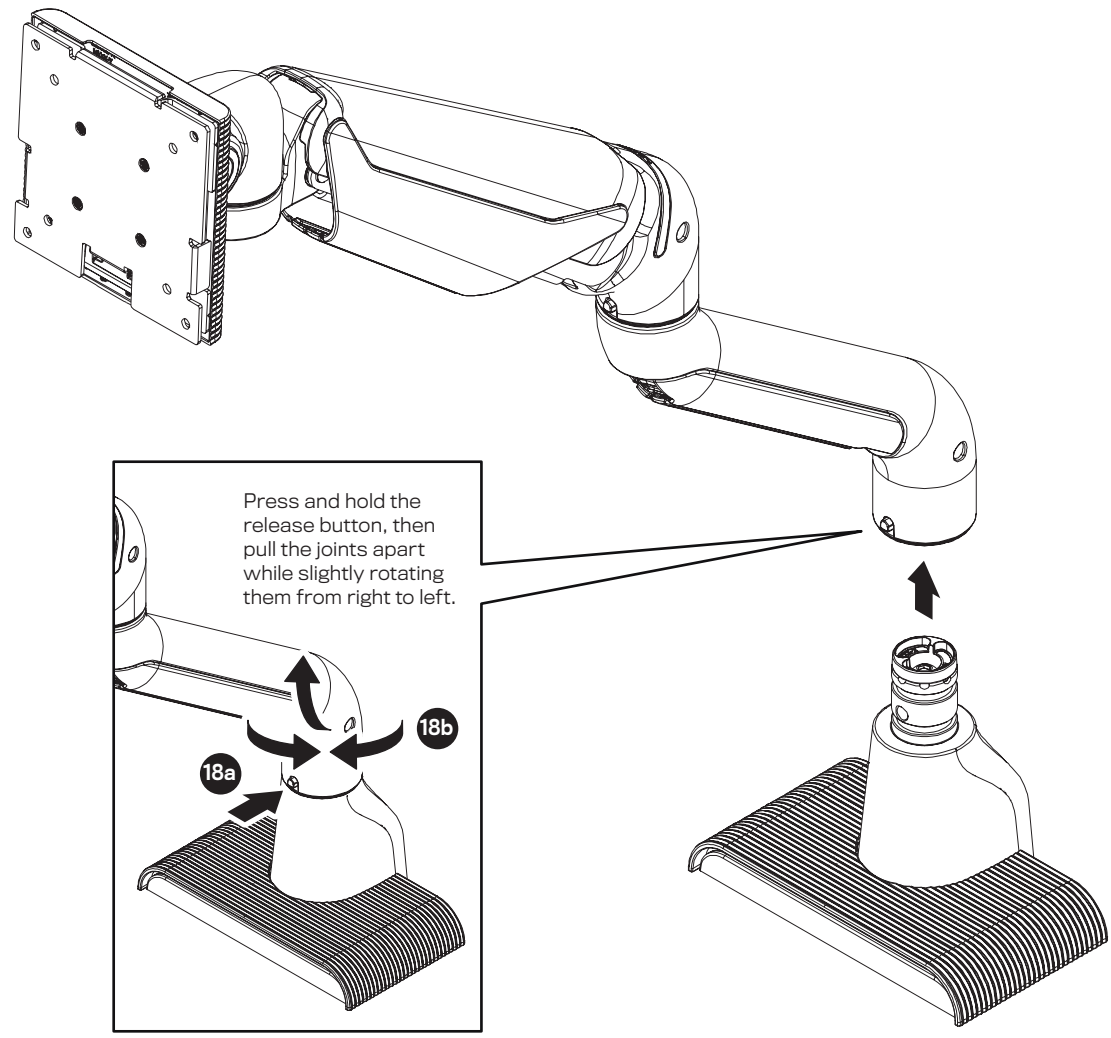


17



PUSH-BUTTON QUICK CONNECTIONS

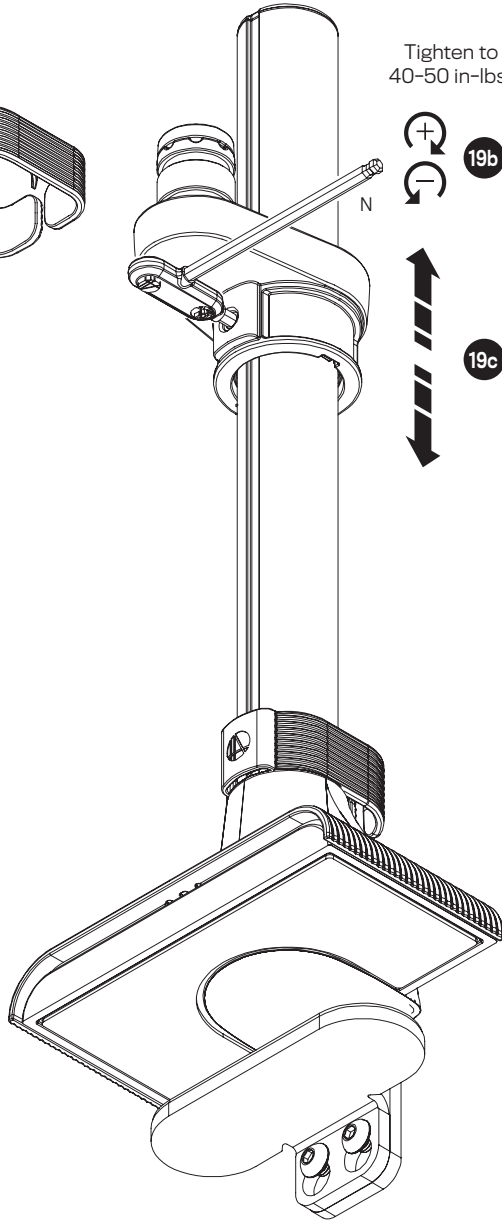
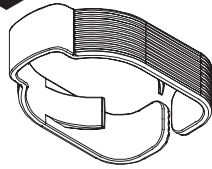
18



SINGLE AND DUAL YOKE HEIGHT ADJUSTMENT

19

19a



Tighten to
40-50 in-lbs.

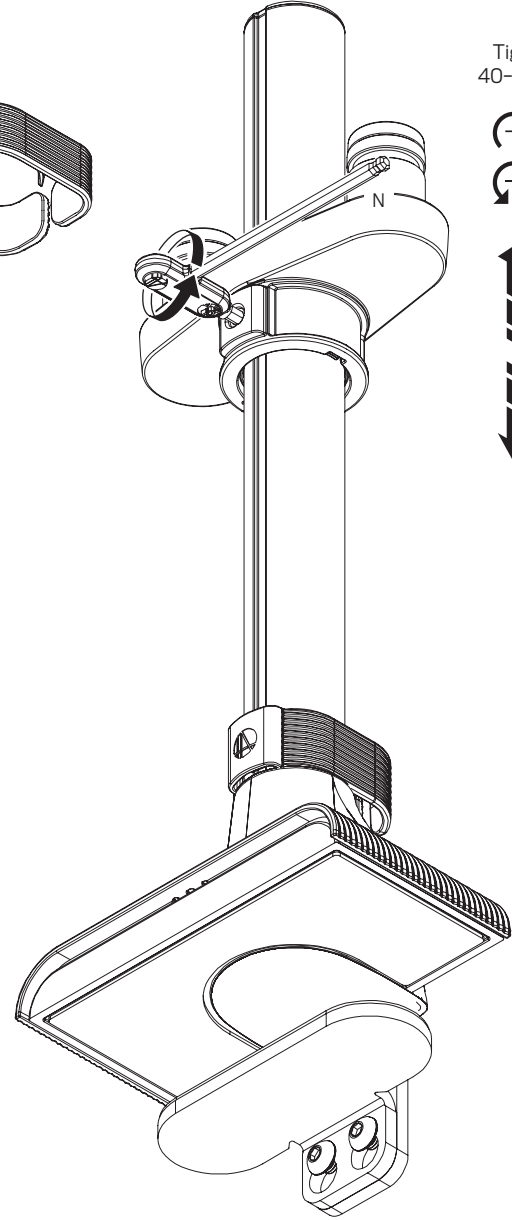
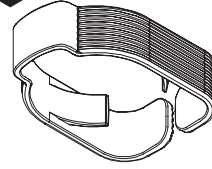


19b

19c

20

20a



Tighten to
40-50 in-lbs.



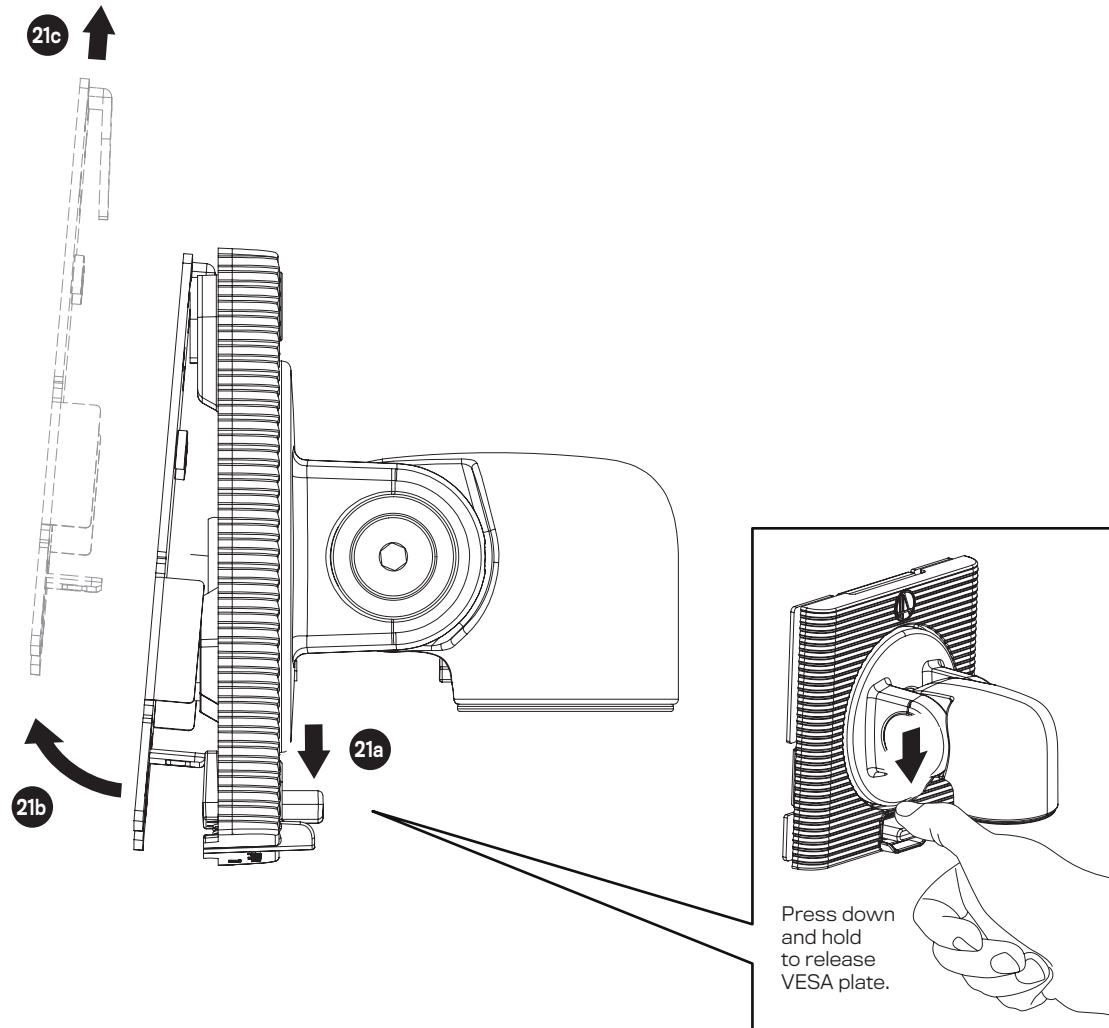
20b

20c

VESA PLATE REMOVAL (TILTER AND SLIDER)

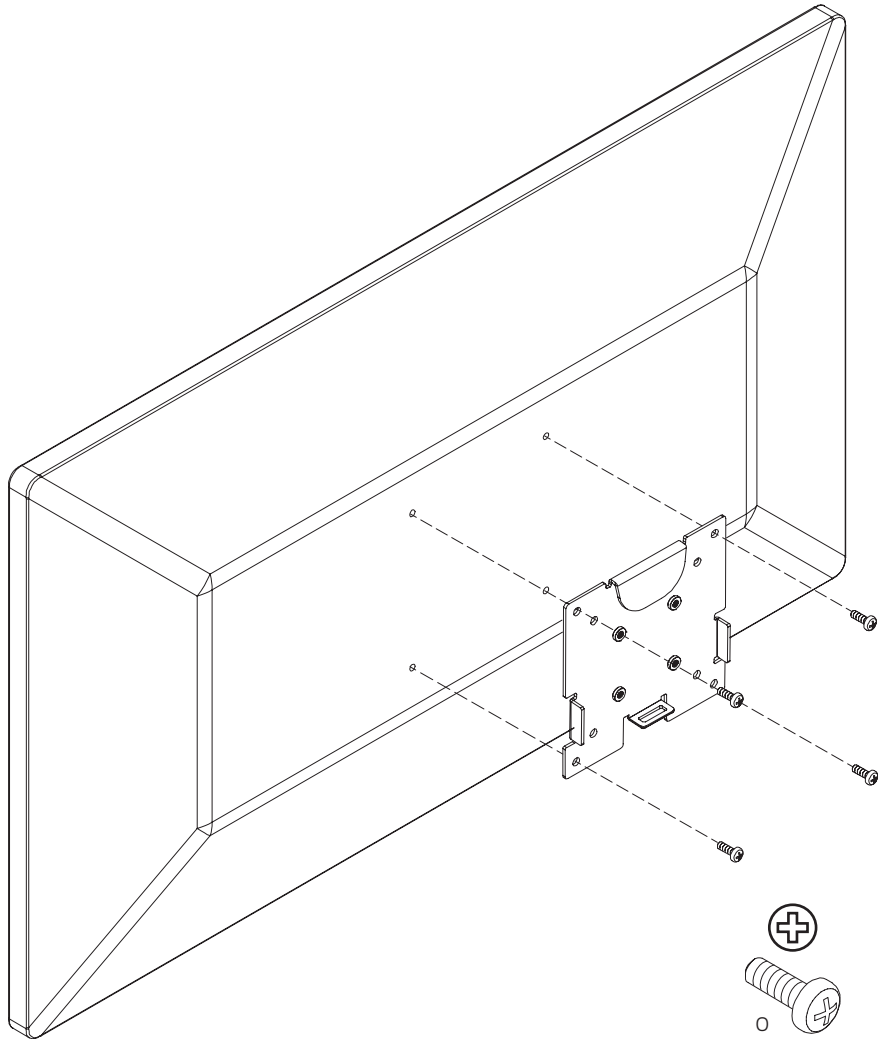
* 0.25" Spacer Kit (#RP404923-B) and 0.50" Spacer Kit (#RP404923-C) sold separately.

21

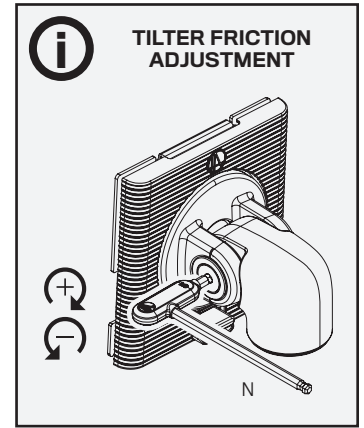
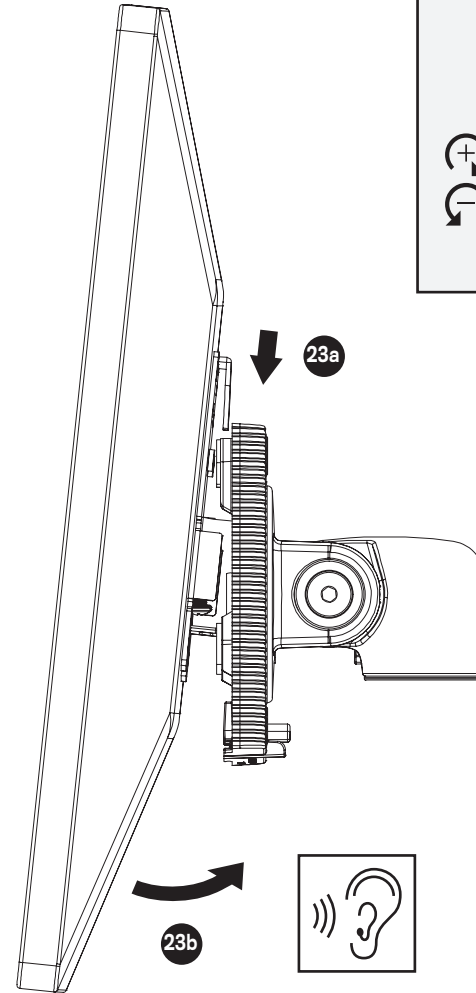


VESA PLATE ASSEMBLY (TILTER AND SLIDER)

22

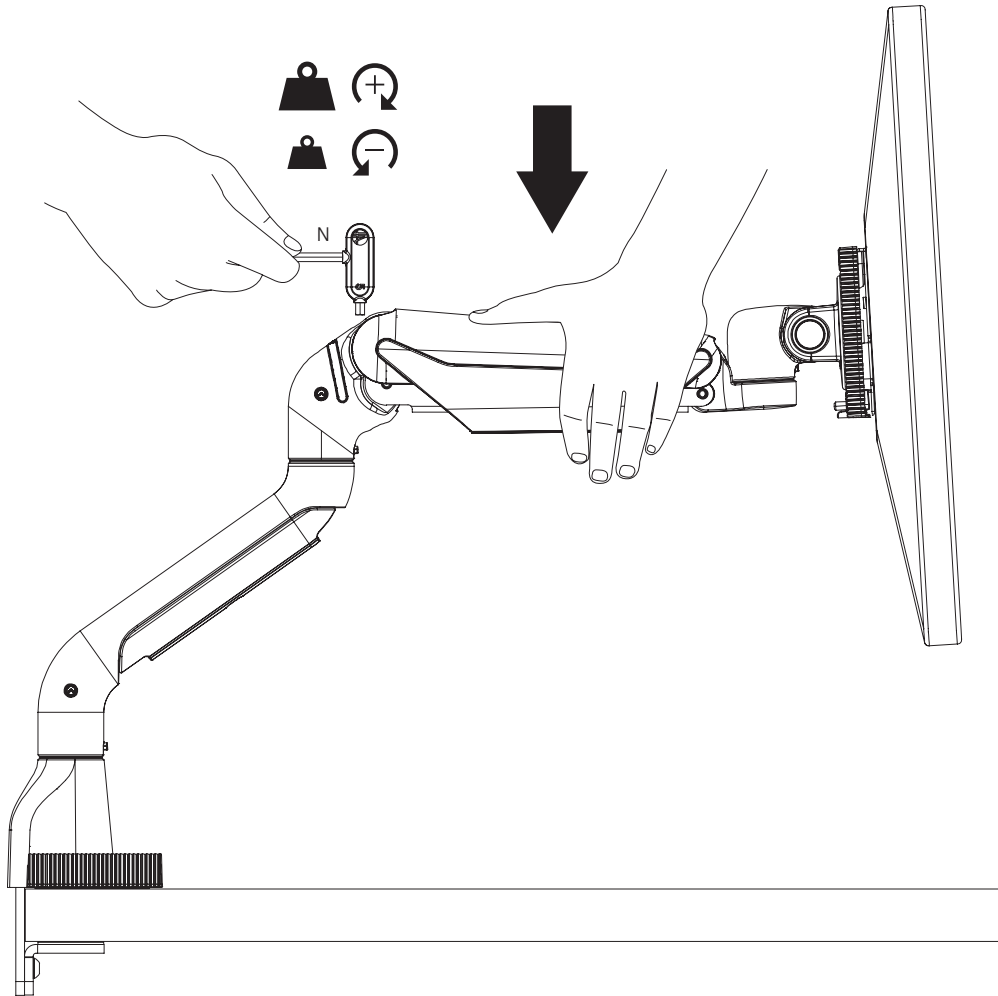
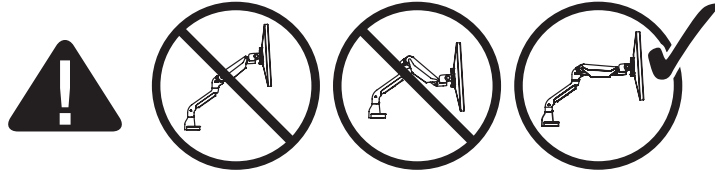


23



DYNAMIC ARM COUNTERBALANCE

24



i TENSION INDICATOR

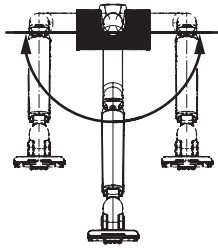
The tension indicator can be used to quickly set multiple arms that will be utilizing the same monitor weight to the correct tension.

- ① ~ 5 lbs. (2.2 kg)
- ② ~ 12 lbs. (5.4 kg)
- ③ ~ 23 lbs. (10.4 kg)
- ④ ~ 35 lbs. (15.9 kg)
- ⑤ ~ 45 lbs. (20.4 kg)

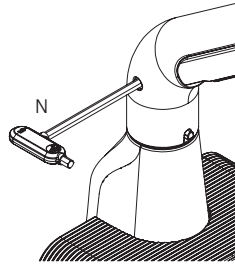
ROTATION STOP ADJUSTMENTS (CONTINUED ON NEXT PAGE)

25

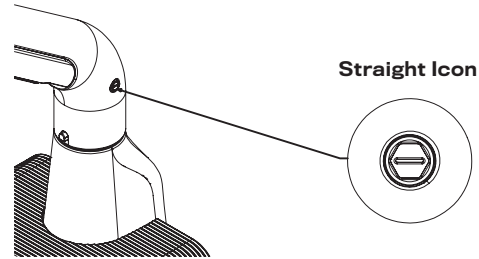
180°



Arms must face forward to
Change the rotation stop range.

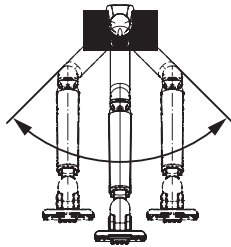


To set to a 180 degree range, use the long end of the tool to push the rotation stop switch to the side that shows a straight icon.

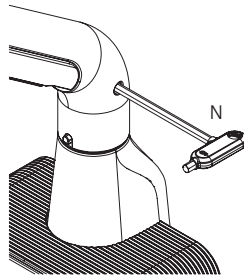


When the straight icon is visible, the rotation stop is set to 180 degrees.

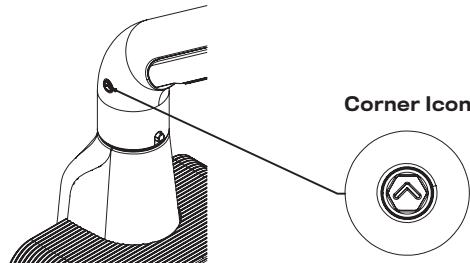
90°



Arms must face forward to
Change the rotation stop range.

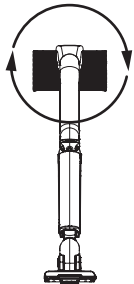


To set to a 90 degree range, use the long end of the tool to push the rotation stop switch to the side that shows a corner icon.

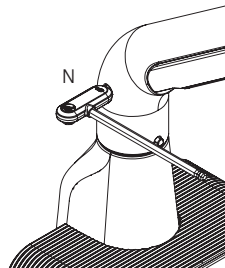


When the corner icon is visible, the rotation stop is set to 90 degrees.

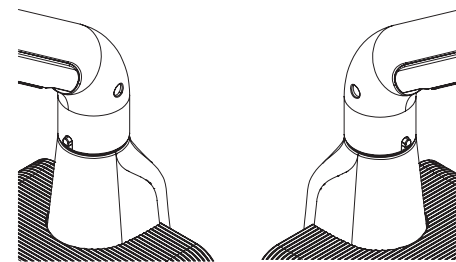
360°



Arms must face forward to
Change the rotation stop range.



To remove the rotation stop, use the short end of the tool to push the rotation stop switch to the center position where the hole is empty on both sides.



When no icon is visible on either side, the rotation stop is removed, allowing the arm to freely spin 360 degrees.

i ADJUSTMENT ACCESS

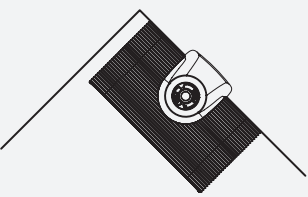
When the arm is forward on the pole or dual arm, the rotation stop switch is blocked from access for adjustment.

In these cases the arm can be rotated slightly (about 30°) to one side or the other to allow the tool to access the rotation stop switch.

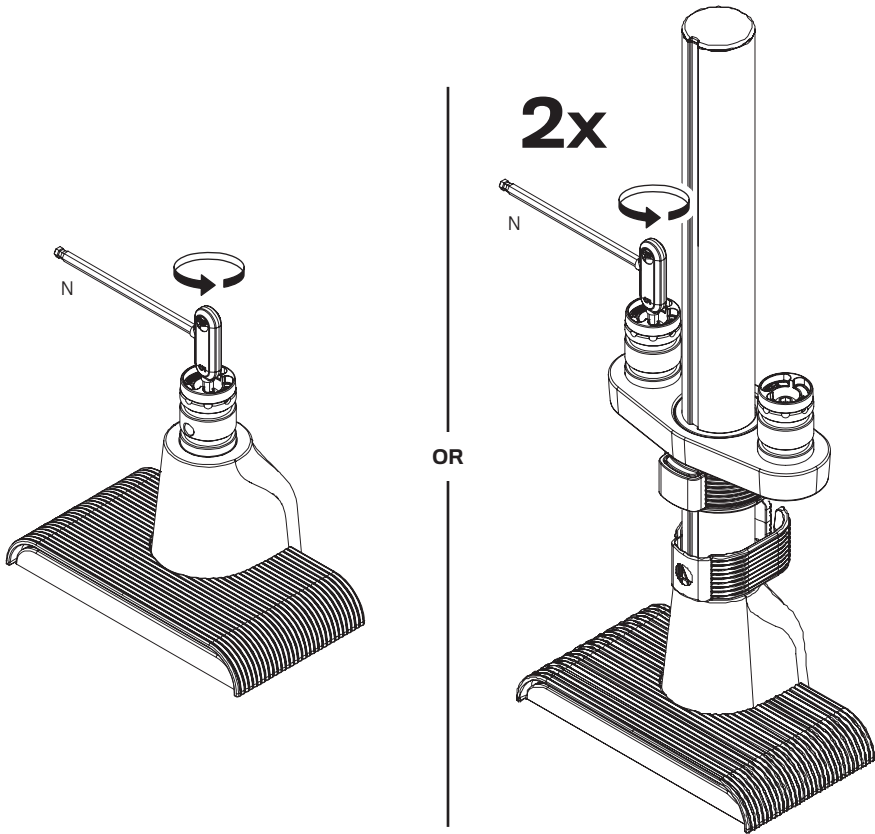
ROTATION STOP ADJUSTMENTS - ANGLED MOUNT INSTALLATIONS

i **ANGLED MOUNT INSTALLATIONS**

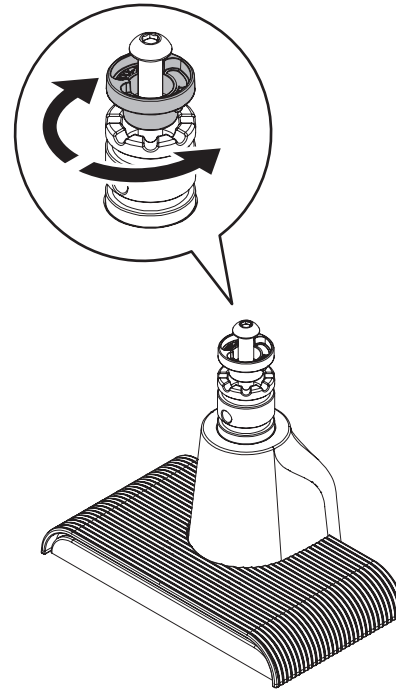
The rotation stop range can be rotated in increments of 45 degrees for angled mount installations.



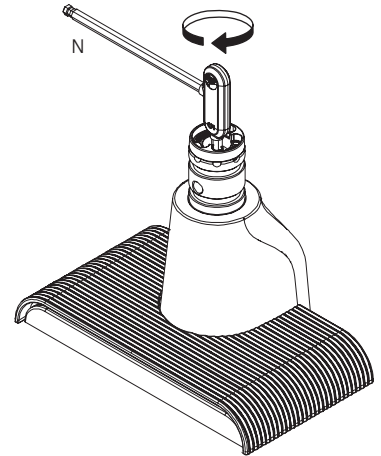
26



27

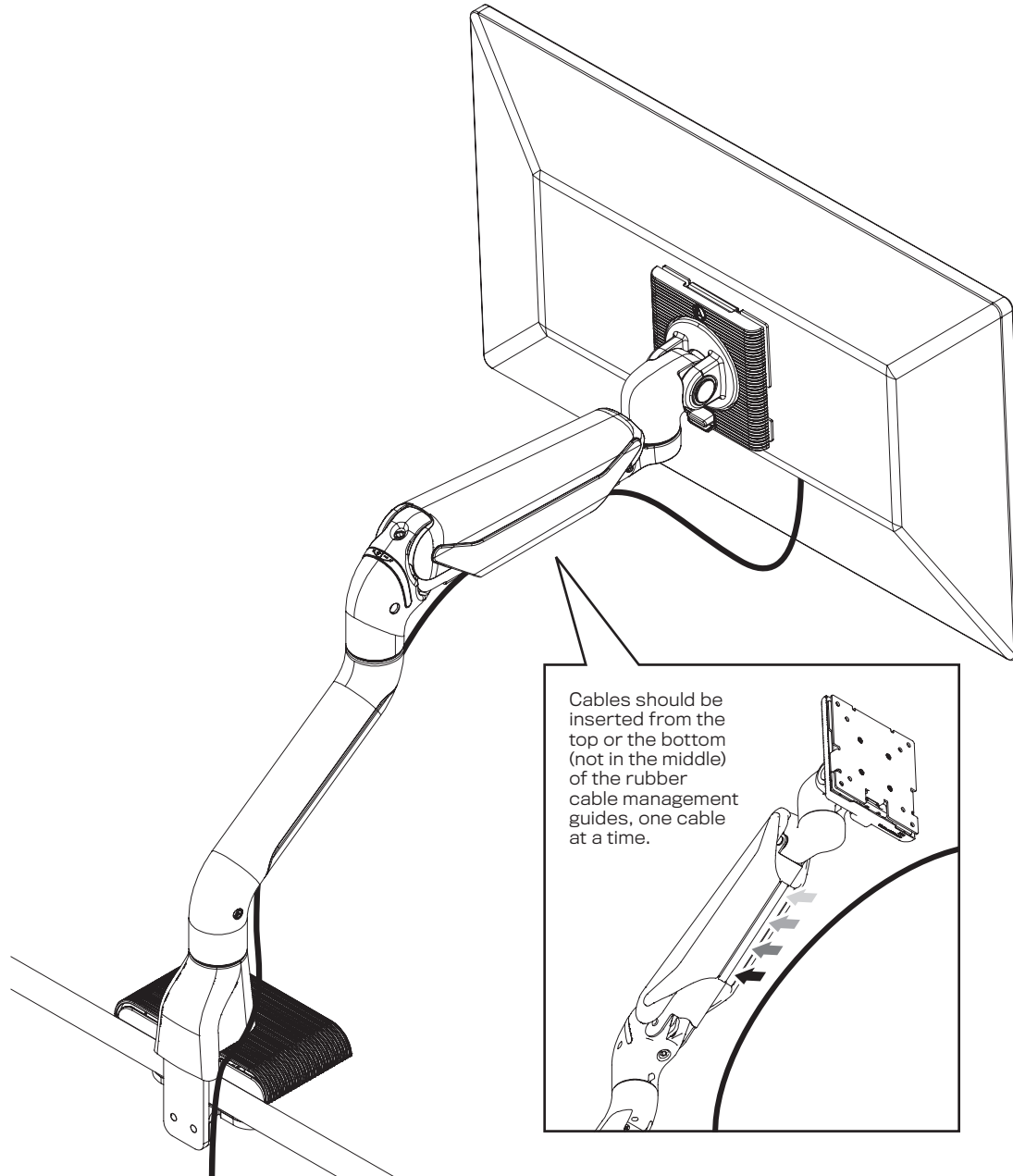


28



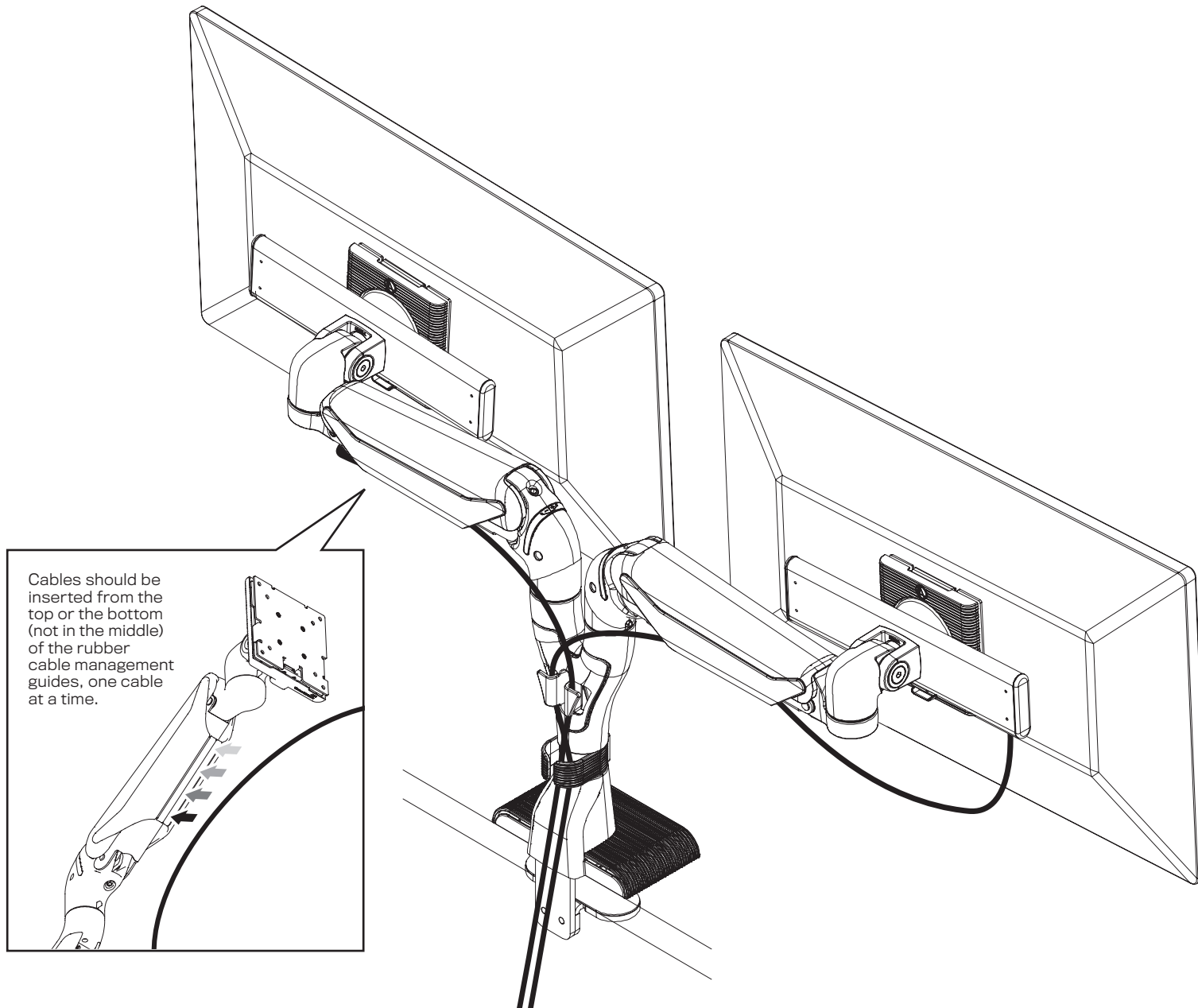
CABLE MANAGEMENT (CONTINUED ON NEXT PAGE)

29



CABLE MANAGEMENT (CONTINUED ON NEXT PAGE)

30



CABLE MANAGEMENT

31

