

LABORATORY HELIUM NEON LASER POWER SUPPLY

MODEL: 05-LPL-902-065

INPUT SPECIFICATIONS

Voltage (VAC)	115 / 230
Line Frequency (Hz)	50 to 400
Current (A)	0.2 / 0.1

OUTPUT SPECIFICATIONS

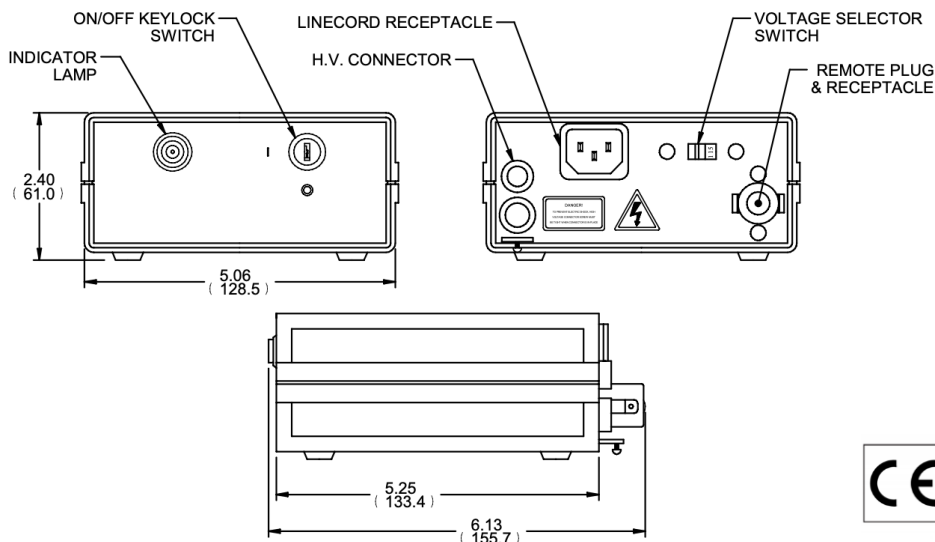
Sustaining Voltage (VDC)	1850 to 2450
Start Voltage (kVDC)	> 10
Current Setting (mA)*	6.5 ± 0.2
Power (W)	< 16.4
Current Ripple (% Peak to Peak)	< 2.0
Current Ripple (% RMS)	< 0.71
Time Delay (Seconds)	3 to 7

ENVIRONMENTAL SPECIFICATIONS

	OPERATING	NON-OPERATING
Temperature (°C)	-20 to +40	-40 to +80
Altitude (meters)	0 to 3000	0 to ∞
Relative Humidity (% , non-condensing)	0 to 99%	0 to 99%
Mechanical Shock (g)	< 50 for < 11 msec	< 50 for < 11 msec < 100 for < 1 msec

Please contact factory for other options. Specifications are subject to change without notice.

* Current setting is not adjustable



Dimensions in Inches (mm)
Reference Dimensions Only

© Pacific Lasertec, LLC. All Rights Reserved

Rev 3.19.1