

# HELIUM NEON LASER POWER SUPPLY MODULE

## MODEL: 06-LPM-915-065

**INPUT SPECIFICATIONS**

Voltage (VAC)	115 or 230
Line Frequency (Hz)	50 to 60
Current (A)	0.4 Maximum

**OUTPUT SPECIFICATIONS**

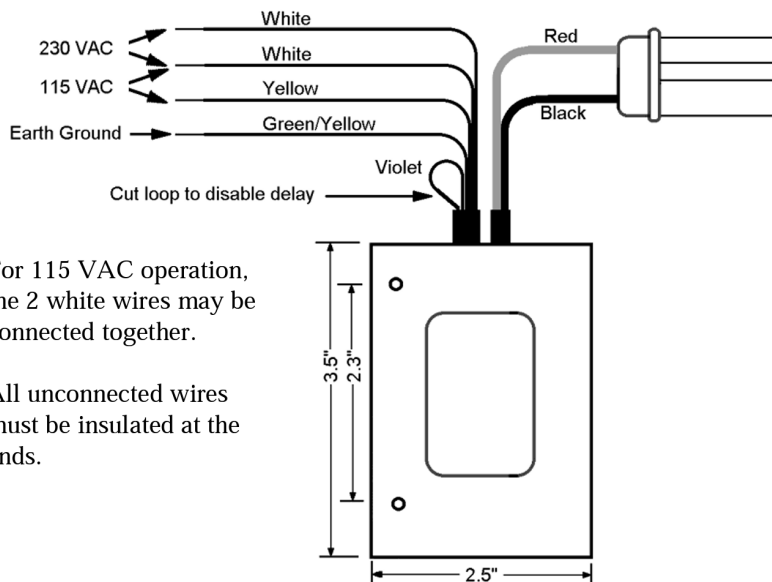
Sustaining Voltage (VDC)	2400 to 3200
Start Voltage (kVDC)	>10
Current Setting (mA)*	6.5 ± 0.2
Power (W)	< 29
Current Ripple (% Peak to Peak)	< 2.0
Current Ripple (% RMS)	< .71
Time Delay (Seconds)	3 to 5

**ENVIRONMENTAL SPECIFICATIONS**

	OPERATING	NON-OPERATING
Temperature (°C)	-20 to +50	-40 to +70
Altitude (meters)	0 to 12,000	0 to ∞
Relative Humidity (% , non-condensing)	0 to 99%	0 to 99%
Mechanical Shock (g)	< 50 for < 11 msec	< 50 for < 11 msec < 100 for < 1 msec

Please contact factory for other options. Specifications are subject to change without notice.

\* Current setting is not adjustable



For 115 VAC operation, the 2 white wires may be connected together.

All unconnected wires must be insulated at the ends.



Dimensions in Inches (mm)  
Reference Dimensions Only