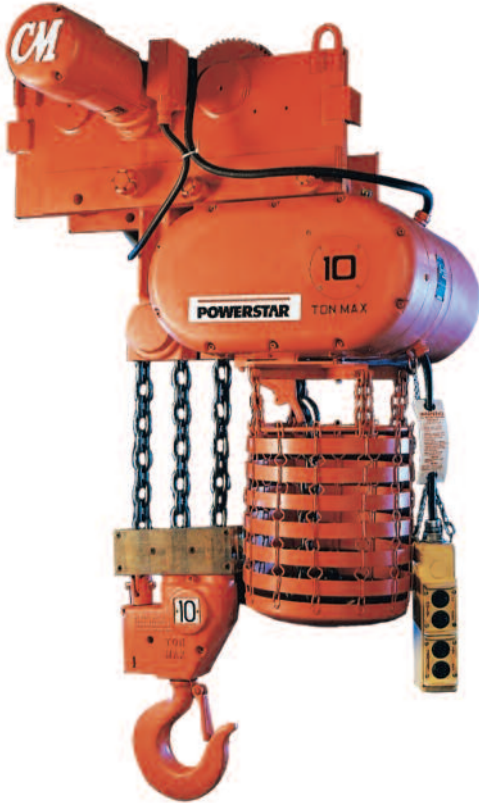


Powerstar electric chain hoist

Designed specifically as an alternative to wire rope hoists for high speed lifting of loads from 2 to 20 tons in a space saving chain hoist.



- H-4 or better rated duty cycle
- Designed for heavy-duty industrial applications from 2 to 20 ton capacities
- Liftwheel has machined chain pockets and is heat treated alloy steel for maximum strength and wear resistance
- Efficient regenerative braking system avoids heat generation in power train
- Motors up to 7 1/2 h.p. provide a wide range of lifting speeds
- Single or two speed controls. Two speed models operate on 3:1 speed ratio
- Standard adjustable upper and lower screw limit switches
- Standard overload Protector device
- Hoist alloy load chain can be easily inspected for wear and abuse
- True vertical lift
- Factory tested to 125% of rated capacity prior to shipment
- Metric rated except for 10 & 20 ton capacities
- Rugged aluminum alloy hoist frame
- Chain guide surrounds liftwheel
- Machined and hardened steel Helical gears used throughout hoist for optimum performance and mechanical efficiency.
- Extensive use of life-lubricated bearings plus sealed oil bath power train reservoir for minimum maintenance.
- Dual braking system
- Heavy duty, industrial single speed controls include magnetic reversing contactor which operates on 115 volts provided by a control transformer.
- Totally enclosed, ball bearing, 30 minute rated, thermally protected, hoist duty motor is standard.
- Push button control is weatherproof (NEMA 4 rated).
- Drop of push button control is 4 ft. above hook at lowest position, unless otherwise specified.
- External push button chain strain relief is standard.
- Power cord length is 2 1/2 ft. unless otherwise specified.
- Trolley design permits easy adjustment for installation on a broad range of beam flange widths.
- Trolley wheels have double row, tapered roller bearings plus machined and hardened universal treads to permit operation on American Standard or flat flanged sections interchangeably.
- Spur gearing used in all motorized trolleys for improved efficiency and durability.
- Drop of hand chain on geared trolleys is 2 ft. above hook at lowest position, unless otherwise specified.
- Designed to be maintained "on the beam."
- Up to 600 lineal feet of chain
- Weatherproof (NEMA3R)
- Lifetime warranty
- Made in U.S.A.

* WARNING

Overloading and improper use can result in injury.

To avoid injury:

- Do not exceed working load limit, load rating capacity
- Do not use to lift people or loads over people.
- use only alloy chain for overhead lifting.
- Read and follow all instructions.

Powerstar-Specifications

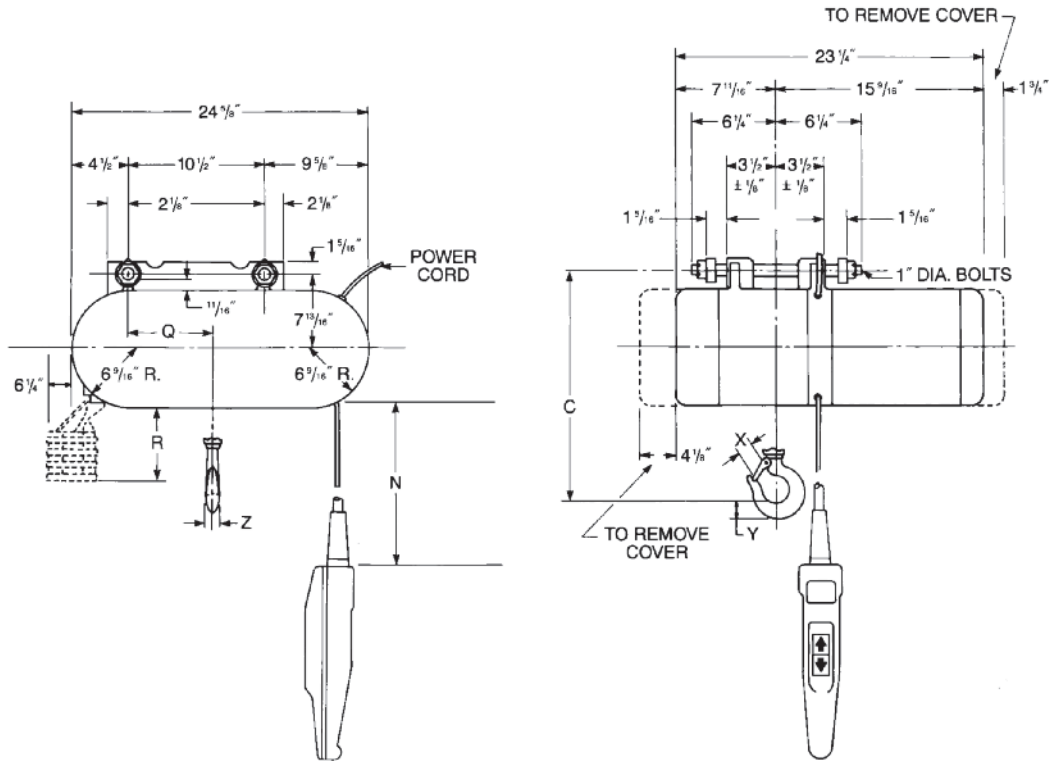
Specifications – standard unit

Rated capacity* (tons)	Single speed		Two speed				Reeving (single)	Std. lift** (ft.)	HP	Headroom w/lug suspension (in.)	Headroom w/trolley suspension (in.)	Hoist only approx. shipping weight	
	Lifting speed (F.P.M.)	Product code	Product code	Lifting speed (F.P.M.)	Product code	Product code						Single speed hoist (lbs.)	Two speed hoist (lbs.)
2	20	7300	7301	20/7	7302	7303	1	20	5	28 ¹⁵ / ₁₆	30 ¹⁵ / ₁₆	392	402
	24	7001	7002	24/8	7003	7004	1	20	5	28 ¹⁵ / ₁₆	30 ¹⁵ / ₁₆	392	402
	32	7304	7305	32/11	7306	7037	1	20	5	28 ¹⁵ / ₁₆	30 ¹⁵ / ₁₆	404	414
	40	7005	7006	40/13	7007	7008	1	20	5	28 ¹⁵ / ₁₆	30 ¹⁵ / ₁₆	404	414
	48	7308	7309	48/16	7310	7311	1	20	7.5	28 ¹⁵ / ₁₆	30 ¹⁵ / ₁₆	408	418
3	20	7312	7313	20/7	7314	7315	1	20	5	28 ¹⁵ / ₁₆	31 ¹ / ₂	404	414
	24	7009	7010	24/8	7011	7012	1	20	5	28 ¹⁵ / ₁₆	31 ¹ / ₂	404	414
	32	7316	7317	32/11	7318	7319	1	20	7.5	28 ¹⁵ / ₁₆	31 ¹ / ₂	408	418
	40	7013	7014	40/13	7015	7016	1	20	7.5	28 ¹⁵ / ₁₆	31 ¹ / ₂	408	418
4	10	7320	7321	10/3	7322	7323	2	20	5	34	36 ⁹ / ₁₆	478	488
	12	7324	7325	12/4	7326	7327	2	20	5	34	36 ⁹ / ₁₆	490	500
	16	7328	7329	16/5	7330	7331	2	20	5	34	36 ⁹ / ₁₆	490	500
	20	7332	7333	20/7	7334	7335	2	20	7.5	34	36 ⁹ / ₁₆	490	500
	24	7336	7337	24/8	7338	7339	2	20	7.5	34	36 ⁹ / ₁₆	494	504
5	10	7340	7341	10/3	7342	7343	2	20	5	34	36 ⁹ / ₁₆	478	488
	12	7344	7345	12/4	7346	7347	2	20	5	34	36 ⁹ / ₁₆	478	488
	16	7029	7030	16/5	7031	7032	2	20	5	34	36 ⁹ / ₁₆	490	500
	20	7348	7349	20/7	7350	7351	2	20	7.5	34	36 ⁹ / ₁₆	494	500
	24	7017	7018	24/8	7019	7020	2	20	7.5	34	36 ⁹ / ₁₆	494	504
6	10	7352	7353	10/3	7354	7355	2	20	5	34	36 ⁹ / ₁₆	548	558
	12	7052	7053	12/4	7054	7055	2	20	5	34	36 ⁹ / ₁₆	548	558
	16	7356	7357	16/5	7358	7359	2	20	7.5	34	36 ⁹ / ₁₆	552	562
	20	7056	7057	20/7	7058	7059	2	20	7.5	34	36 ⁹ / ₁₆	552	562
7 ¹ / ₂	7	7360	7361	7/2	7362	7363	3	20	5	Apply	39 ³ / ₈	594	604
	8	7364	7365	8/3	7366	7367	3	20	5	Apply	39 ³ / ₈	606	616
	11	7368	7369	11/4	7370	7371	3	20	5	Apply	39 ³ / ₈	606	616
	14	7372	7373	14/5	7374	7375	3	20	7.5	Apply	39 ³ / ₈	622	632
	16	7376	7377	16/5	7378	7379	3	20	7.5	Apply	39 ³ / ₈	622	632
9	7	7380	7381	7/2	7382	7383	3	20	5	Apply	41 ³ / ₁₆	610	620
	8	7384	7385	8/3	7386	7387	3	20	5	Apply	41 ³ / ₁₆	610	620
	11	7388	7389	11/4	7390	7391	3	20	7.5	Apply	41 ³ / ₁₆	626	636
	13	7392	7393	13/4	7394	7395	3	20	7.5	Apply	41 ³ / ₁₆	626	636
10	7	7396	7397	7/2	7398	7399	3	20	5	Apply	41 ³ / ₁₆	610	620
	8	7400	7401	8/3	7402	7403	3	20	5	Apply	41 ³ / ₁₆	610	620
	11	7404	7405	11/4	7406	7407	3	20	7.5	Apply	41 ³ / ₁₆	626	636
	13	7408	7409	13/4	7410	7411	3	20	7.5	Apply	41 ³ / ₁₆	626	636
12	5	7412	7413	5/2	7414	7415	4	20	5	Apply	41 ³ / ₁₆	710	720
	6	7416	7417	6/2	7418	7419	4	20	5	Apply	41 ³ / ₁₆	710	720
	8	7420	7421	8/3	7422	7423	4	20	7.5	Apply	41 ³ / ₁₆	726	736
	10	7424	7425	10/3	7426	7427	4	20	7.5	Apply	41 ³ / ₁₆	726	736
15	4	7428	7429	4/1.3	7430	7431	5	20	5	Apply	47 ⁵ / ₁₆	805	815
	5	7432	7433	5/1.5	7434	7435	5	20	5	Apply	47 ⁵ / ₁₆	805	815
	6	7436	7437	6/2	7438	7439	5	20	7.5	Apply	47 ⁵ / ₁₆	817	827
	8	7440	7441	8/2.5	7442	7443	5	20	7.5	Apply	47 ⁵ / ₁₆	817	827

** 20 ft. lift is standard — for other lifts, apply.

Powerstar with lug suspension

2, 3, 4, 5 & 6 ton capacities (for 7½ - 15 ton capacities, consult factory)



Clearance dimensions (in.)

Dimension	Rated capacity* (tons)				
	2	3	4	5	6
C	28 ¹⁵ / ₁₆	28 ¹⁵ / ₁₆	34	34	34
N**	16'-7"	16'-7"	16'-7"	16'-7"	16'-7"
Q	3 ³ / ₄	3 ³ / ₄	5 ⁷ / ₈	5 ⁷ / ₈	5 ⁷ / ₈
R**	18 ¹ / ₁₆	18 ¹ / ₁₆	26 ³ / ₁₆	26 ³ / ₁₆	26 ³ / ₁₆
X	1 ⁵ / ₈	1 ⁵ / ₈	2 ⁵ / ₁₆	2 ⁵ / ₁₆	2 ⁵ / ₁₆
Y	1 ¹ / ₁₆	1 ¹ / ₁₆	2 ⁹ / ₁₆	2 ⁹ / ₁₆	2 ⁹ / ₁₆
Z	1 ¹ / ₄	1 ¹ / ₄	1 ¹³ / ₁₆	1 ¹³ / ₁₆	1 ¹³ / ₁₆

**Applies to 20 foot lift units

All dimensions are in inches and are based on minimum American standard section.

*** ⚠ WARNING**

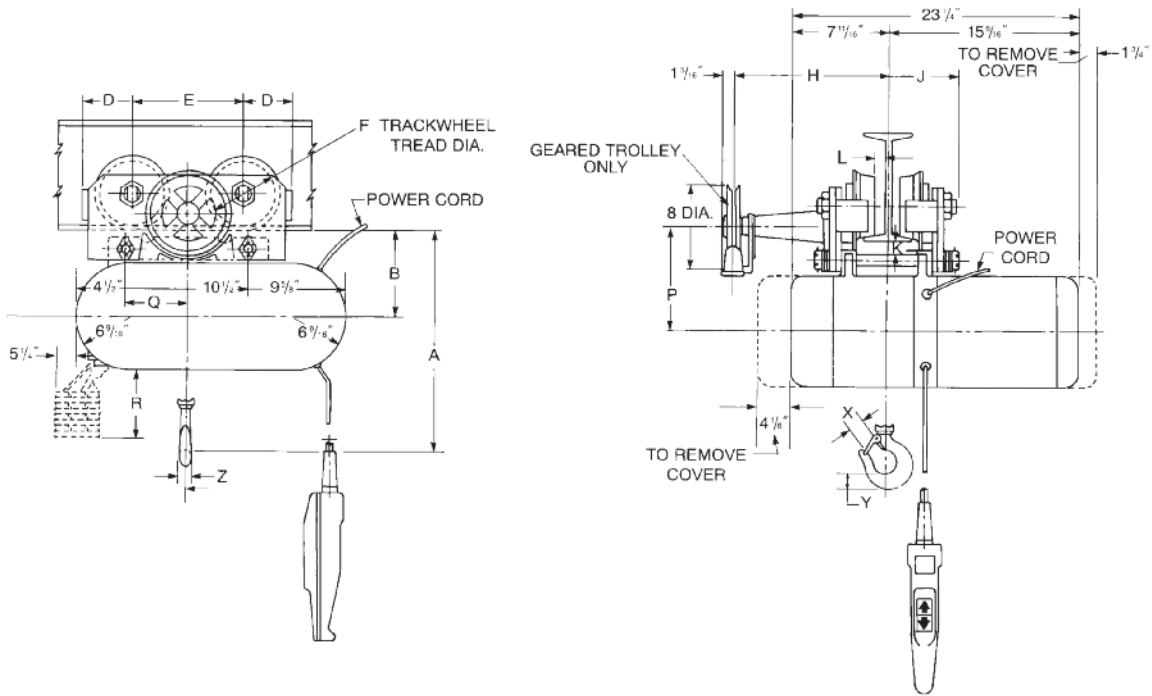
Overloading and improper use can result in injury.

To avoid injury:

- Do not exceed working load limit, load rating capacity
- Do not use to lift people or loads over people.
- use only alloy chain for overhead lifting.
- Read and follow all instructions.

Powerstar with plain or geared trolley

2, 3, 4, 5 & 6 ton capacities



Clearance dimensions (in.)

Dimension	Rated capacity* (tons)				
	2	3	4	5	6
A	30 ¹⁵ / ₁₆	31 1/2	36 ⁹ / ₁₆	36 ⁹ / ₁₆	36 ⁹ / ₁₆
B	9 ¹³ / ₁₆	10 ³ / ₈	10 ³ / ₈	10 ³ / ₈	10 ³ / ₈
D	3 1/2	4 ⁹ / ₁₆	4 ⁹ / ₁₆	4 ⁹ / ₁₆	4 ⁹ / ₁₆
E	9 1/2	10 1/2	10 1/2	10 1/2	10 1/2
F	4 ¹¹ / ₁₆	5 ¹³ / ₁₆	5 ¹³ / ₁₆	5 ¹³ / ₁₆	5 ¹³ / ₁₆
H	12 ¹³ / ₁₆	14 1/8	14 1/8	14 1/8	14 1/8
J	5	6 1/4	6 1/4	6 1/4	6 1/4
K	1 ¹ / ₁₆	1 1/4	1 1/4	1 1/4	1 1/4
L	1/2	1 ⁵ / ₁₆	1 ⁵ / ₁₆	1 ⁵ / ₁₆	1 ⁵ / ₁₆
P	11 ⁹ / ₁₆	11 ¹⁵ / ₁₆	11 ¹⁵ / ₁₆	11 ¹⁵ / ₁₆	11 ¹⁵ / ₁₆
Q	3 3/4	3 3/4	5 ⁷ / ₈	5 ⁷ / ₈	5 ⁷ / ₈
R**	18 ¹ / ₁₆	18 ¹ / ₁₆	26 ³ / ₁₆	26 ³ / ₁₆	26 ³ / ₁₆
X	1 ⁵ / ₈	1 ⁵ / ₈	2 ⁵ / ₁₆	2 ⁵ / ₁₆	2 ⁵ / ₁₆
Y	1 ¹ / ₁₆	1 ¹ / ₁₆	2 ⁹ / ₁₆	2 ⁹ / ₁₆	2 ⁹ / ₁₆
Z	1 1/4	1 1/4	1 ¹³ / ₁₆	1 ¹³ / ₁₆	1 ¹³ / ₁₆

**Std. 20 foot lift

All dimensions are in inches and are based on minimum American standard section.

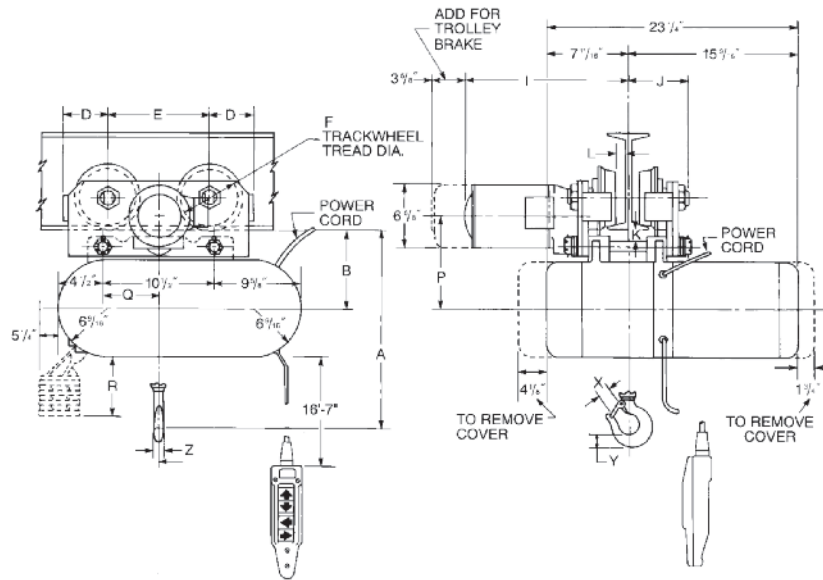
Specifications

Rated capacity* (tons)	Plain trolley		Geared trolley†		Std. range of adjust. Am. std. S-beams		Min. radius curve (in.)
	Product code	Shipping weight (lbs.)	Product code	Shipping weight (lbs.)	Min. beam size	Max. beam size	
2	5973	98	5964	175	S6 x 12.5# x 3.33"	S15 x 42.9# x 5.5"	48
3-6	5971	176	5972	295	S12 x 31.8# x 5"	S20 x 65.4# x 6.25"	66

† Standard hand chain drop is in proportion to 20 ft. lift. For other lifts, apply to the factory.

Powerstar with motor driven trolley

2, 3, 4, 5 & 6 ton capacities



Clearance dimensions (in.)

Dimension	Rated capacity* (tons)				
	2	3	4	5	6
A	30 ¹⁵ / ₁₆	31 ¹ / ₂	36 ⁹ / ₁₆	36 ⁹ / ₁₆	36 ⁹ / ₁₆
B	9 ¹³ / ₁₆	10 ³ / ₈	10 ³ / ₈	10 ³ / ₈	10 ³ / ₈
D	3 ¹ / ₂	4 ⁹ / ₁₆	4 ⁹ / ₁₆	4 ⁹ / ₁₆	4 ⁹ / ₁₆
E	9 ¹ / ₂	10 ¹ / ₂	10 ¹ / ₂	10 ¹ / ₂	10 ¹ / ₂
F	4 ¹¹ / ₁₆	5 ¹³ / ₁₆	5 ¹³ / ₁₆	5 ¹³ / ₁₆	5 ¹³ / ₁₆
I	17 ⁷ / ₁₆	18 ⁵ / ₈	18 ⁵ / ₈	18 ⁵ / ₈	18 ⁵ / ₈
J	5	6 ¹ / ₄	6 ¹ / ₄	6 ¹ / ₄	6 ¹ / ₄
K	1 ¹ / ₁₆	1 ¹ / ₄	1 ¹ / ₄	1 ¹ / ₄	1 ¹ / ₄
L	1/2	1 ⁵ / ₁₆	1 ⁵ / ₁₆	1 ⁵ / ₁₆	1 ⁵ / ₁₆
P	11 ⁹ / ₁₆	11 ¹⁵ / ₁₆	11 ¹⁵ / ₁₆	11 ¹⁵ / ₁₆	11 ¹⁵ / ₁₆
Q	3 ³ / ₄	3 ³ / ₄	5 ⁷ / ₈	5 ⁷ / ₈	5 ⁷ / ₈
R**	18 ¹ / ₁₆	18 ¹ / ₁₆	26 ³ / ₁₆	26 ³ / ₁₆	26 ³ / ₁₆
X	1 ⁵ / ₈	1 ⁵ / ₈	2 ⁵ / ₁₆	2 ⁵ / ₁₆	2 ⁵ / ₁₆
Y	1 ¹ / ₁₆	1 ¹ / ₁₆	2 ⁹ / ₁₆	2 ⁹ / ₁₆	2 ⁹ / ₁₆
Z	1 ¹ / ₄	1 ¹ / ₄	1 ¹³ / ₁₆	1 ¹³ / ₁₆	1 ¹³ / ₁₆

**Applies to 20 foot lift units

All dimensions are in inches and are based on minimum American standard section

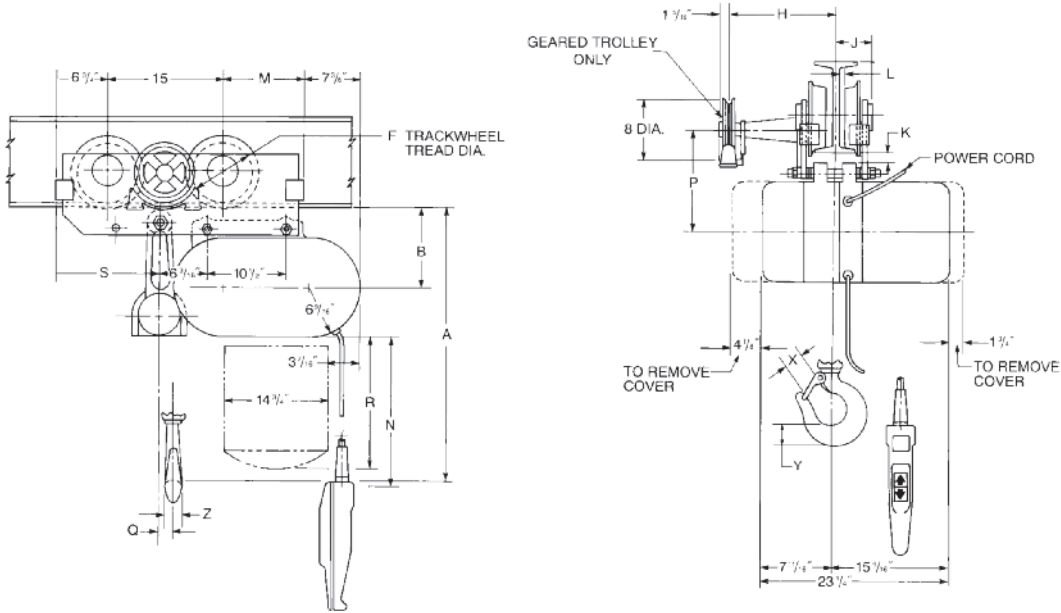
Specifications — trolley

Rated capacity* (tons)	Speed (F.P.M.)	Product code		Approx. shipping weight (lbs.)	Standard range of adjustability Am. std. S-beam		Min. radius curve (in.)
		230-3-60	460-3-60		Min. beam size	Max. beam size	
2	65	7064	7065	168	S6 x 12.5# x 3.33"	S15 x 42.9# x 5.5"	48
2	100	7066	7067	168	S6 x 12.5# x 3.33"	S15 x 42.9# x 5.5"	48
3	50	7068	7069	250	S12 x 31.8# x 5"	S20 x 66# x 6.25"	66
4	50	7545	7585	255	S12 x 31.8# x 5"	S20 x 66# x 6.25"	66
5	50	7070	7071	255	S12 x 31.8# x 5"	S20 x 66# x 6.25"	66
6	50	7072	7073	255	S12 x 31.8# x 5"	S20 x 66# x 6.25"	66

Apply for other than standard trolley speeds and for other than standard beam adjustment

Powerstar with plain or geared trolley

7½, 9, 10, 12 & 15 ton capacities



Clearance dimensions (in.)

Dimension	Rated capacity* (tons)				
	7½	9	10	12	15
A	39 ³ / ₈	41 ³ / ₁₆	41 ³ / ₁₆	41 ³ / ₁₆	47 ¹⁵ / ₁₆
B	11 ¹³ / ₁₆	11 ¹³ / ₁₆	11 ¹³ / ₁₆	11 ⁹ / ₁₆	11 ⁹ / ₁₆
F	8	8	8	8	8
H	14	14¼	14¼	14 ³ / ₄	13 ¹³ / ₁₆
J	5 ¹ / ₈	5 ³ / ₈	5 ³ / ₈	5 ⁷ / ₈	5 ⁷ / ₈
K	1½	1 ⁷ / ₁₆	1 ⁷ / ₁₆	1¼	1¼
L	¾	1 ⁵ / ₁₆	1 ⁵ / ₁₆	1 ¹ / ₁₆	1 ¹ / ₁₆
M	10 ³ / ₄	10 ³ / ₄	10 ³ / ₄	10 ³ / ₄	13 ³ / ₁₆
N**	17'-10"	17'-10"	17'-10"	17'-10"	17'-10"
P	16 ⁵ / ₁₆	16 ⁵ / ₁₆	16 ⁵ / ₁₆	16 ⁵ / ₁₆	16 ⁵ / ₁₆
Q	1 ⁵ / ₁₆	1 ⁵ / ₁₆	1 ⁵ / ₁₆	0	-1 ¹³ / ₁₆
R**	21½	21½	21½	26 ¹ / ₈	31 ¹ / ₈
S	12 ¹³ / ₁₆	12 ¹³ / ₁₆	12 ¹³ / ₁₆	12 ¹³ / ₁₆	16 ¹ / ₆
X	2 ⁵ / ₁₆	3	3	3	3 ⁵ / ₈
Y	2 ⁹ / ₁₆	3	3	3	3 ⁵ / ₈
Z	1 ¹³ / ₁₆	2 ³ / ₈	2 ³ / ₈	2 ³ / ₈	3

**Applies to 20 foot lift units

All dimensions are in inches and are based on minimum American standard section.

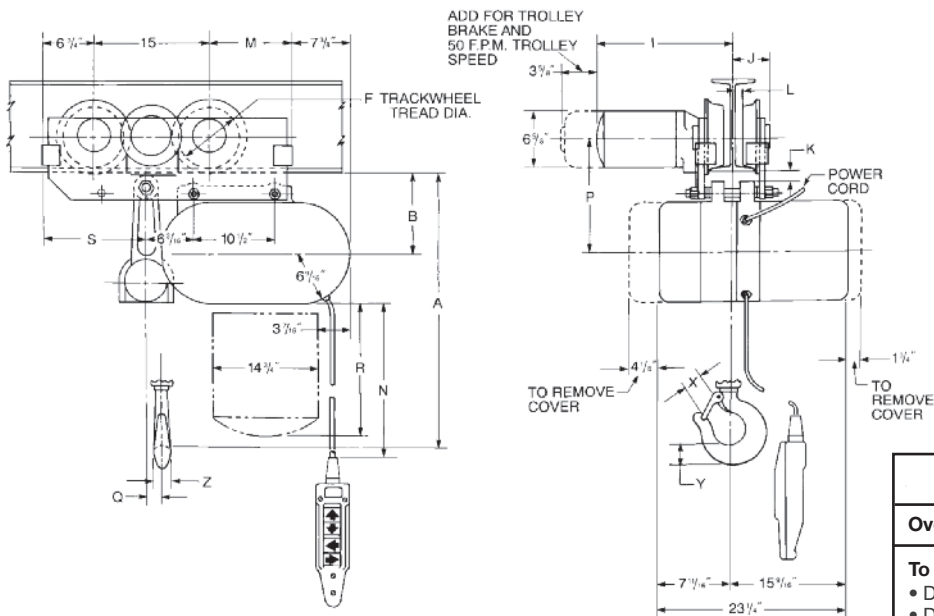
Specifications

Rated capacity* (tons)	Plain trolley		Geared trolley†		Std. range of adjust. Am. std. S-beams		Min. radius curve (in.)
	Product code	Shipping weight (lbs.)	Product code	Shipping weight (lbs.)	Min. beam size	Max. beam size	
7½	7205	335	7209	395	S15 x 42.9# x 5.5"	S24 x 100# x 7.25"	120
9	7206	335	7210	395	S18 x 54.7# x 6"	S24 x 121# x 8"	120
10	7207	335	7211	395	S18 x 54.7# x 6"	S24 x 121# x 8"	120
12	7208	335	7212	395	S20 x 86# x 7"	S24 x 121# x 8"	120
15	7530	350	7532	410	S20 x 86# x 7"	S24 x 121# x 8"	120

† Standard hand chain drop is in proportion to 20 ft. lift. For other chain drops, apply to factory.

Powerstar with motor driven trolley

7½, 9, 10, 12 & 15 ton capacities



*** ⚠ WARNING**

Overloading and improper use can result in injury.

To avoid injury:

- Do not exceed working load limit, load rating capacity
- Do not use to lift people or loads over people.
- use only alloy chain for overhead lifting.
- Read and follow all instructions.

Clearance dimensions (in.)

Dimension	Rated capacity* (tons)				
	7½	9	10	12	15
A	39 ³ / ₈	41 ³ / ₁₆	41 ³ / ₁₆	41 ³ / ₁₆	47 ¹⁵ / ₁₆
B	11 ¹³ / ₁₆	11 ¹³ / ₁₆	11 ¹³ / ₁₆	11 ⁹ / ₁₆	11 ⁹ / ₁₆
F	8	8	8	8	8
I	18	18 ¹ / ₄	18 ¹ / ₄	19 ⁵ / ₈	18 ⁷ / ₁₆
J	5 ¹ / ₈	5 ³ / ₈	5 ³ / ₈	5 ⁷ / ₈	5 ⁷ / ₈
K	1 ¹ / ₂	1 ⁷ / ₁₆	1 ⁷ / ₁₆	1 ¹ / ₄	1 ¹ / ₄
L	¾	1 ⁵ / ₁₆	1 ⁵ / ₁₆	1 ¹ / ₁₆	1 ¹ / ₁₆
M	10 ³ / ₄	10 ³ / ₄	10 ³ / ₄	10 ³ / ₄	13 ³ / ₁₆
N**	17'-10"	17'-10"	17'-10"	17'-10"	17'-10"
P	16 ⁵ / ₁₆	16 ⁵ / ₁₆	16 ⁵ / ₁₆	16 ⁵ / ₁₆	16 ⁵ / ₁₆
Q	1 ⁵ / ₁₆	1 ⁵ / ₁₆	1 ⁵ / ₁₆	0	-1 ³ / ₁₆
R**	21 ¹ / ₂	21 ¹ / ₂	21 ¹ / ₂	26 ¹ / ₈	31 ¹ / ₈
S	12 ¹³ / ₁₆	12 ¹³ / ₁₆	12 ¹³ / ₁₆	12 ¹³ / ₁₆	16 ¹ / ₁₆
X	2 ⁵ / ₁₆	3	3	3	3 ⁵ / ₈
Y	2 ⁹ / ₁₆	3	3	3	3 ⁵ / ₈
Z	1 ¹³ / ₁₆	2 ³ / ₈	2 ³ / ₈	2 ³ / ₈	3

**Applies to 20 foot lift units.

All dimensions are in inches and are based on minimum American standard section

Specifications — trolley

Rated capacity* (tons)	Speed (F.P.M.)	Product code		Approx. shipping weight (lbs.)	Standard range of adjustability Am. std. S-beams		Min. radius curve (in.)
		230-3-60	460-3-60		Min. beam size	Max. beam size	
7½	35	7224	7224	390	S15 x 42.9# x 5.5"	S24 x 100# x 7.25"	120
9	35	7225	7225	390	S18 x 54.7# x 6"	S24 x 121# x 8"	120
10	35	7226	7226	390	S18 x 54.7# x 6"	S24 x 121# x 8"	120
12	35	7227	7227	390	S20 x 86# x 7"	S24 x 121# x 8"	120
15	35	7571	7299	405	S20 x 86# x 7"	S24 x 121# x 8"	120

Apply for other than standard trolley speeds and other than standard beam adjustment