

Accessories

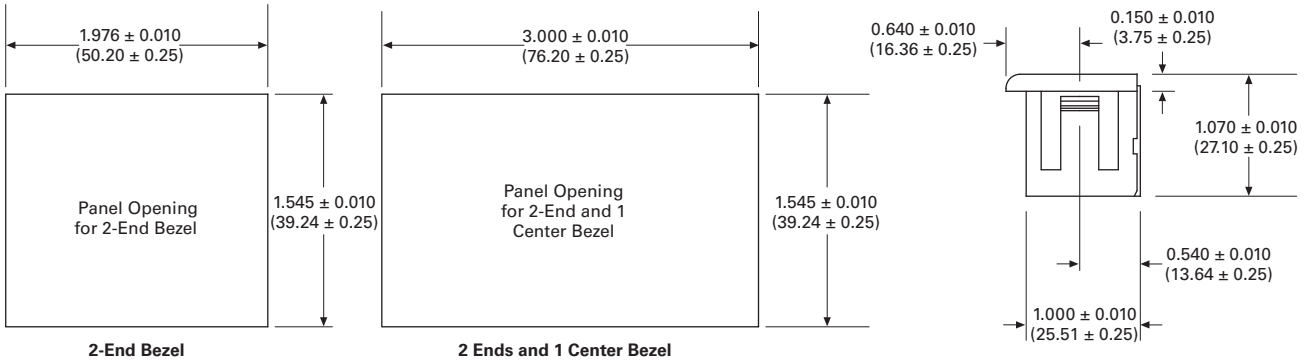
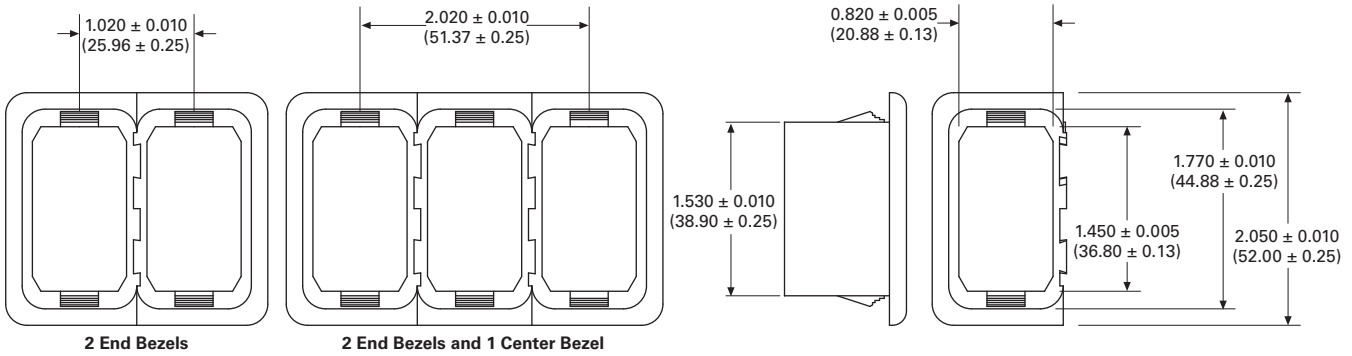
Approximate Dimensions in Inches (mm)

2

Gang Mount System

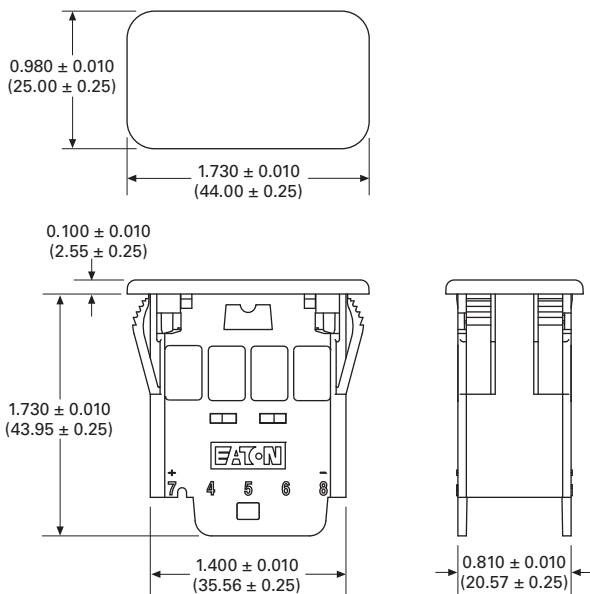
End Bezel Catalog Number 17-22146

Center Bezel Catalog Number 17-22152



Panel Plug

Catalog Number 17-22145



Connector

Catalog Number 25-13936

AMP Terminal Catalog Numbers:
 927766-3 (14–16 gauge)
 927770-3 (18–20 gauge)
 AMP Wire Seal Catalog Numbers:
 828905-1 (14–16 gauge)
 828904-1 (18–20 gauge)
 AMP Sealing Plug Catalog Number:
 828922-1

