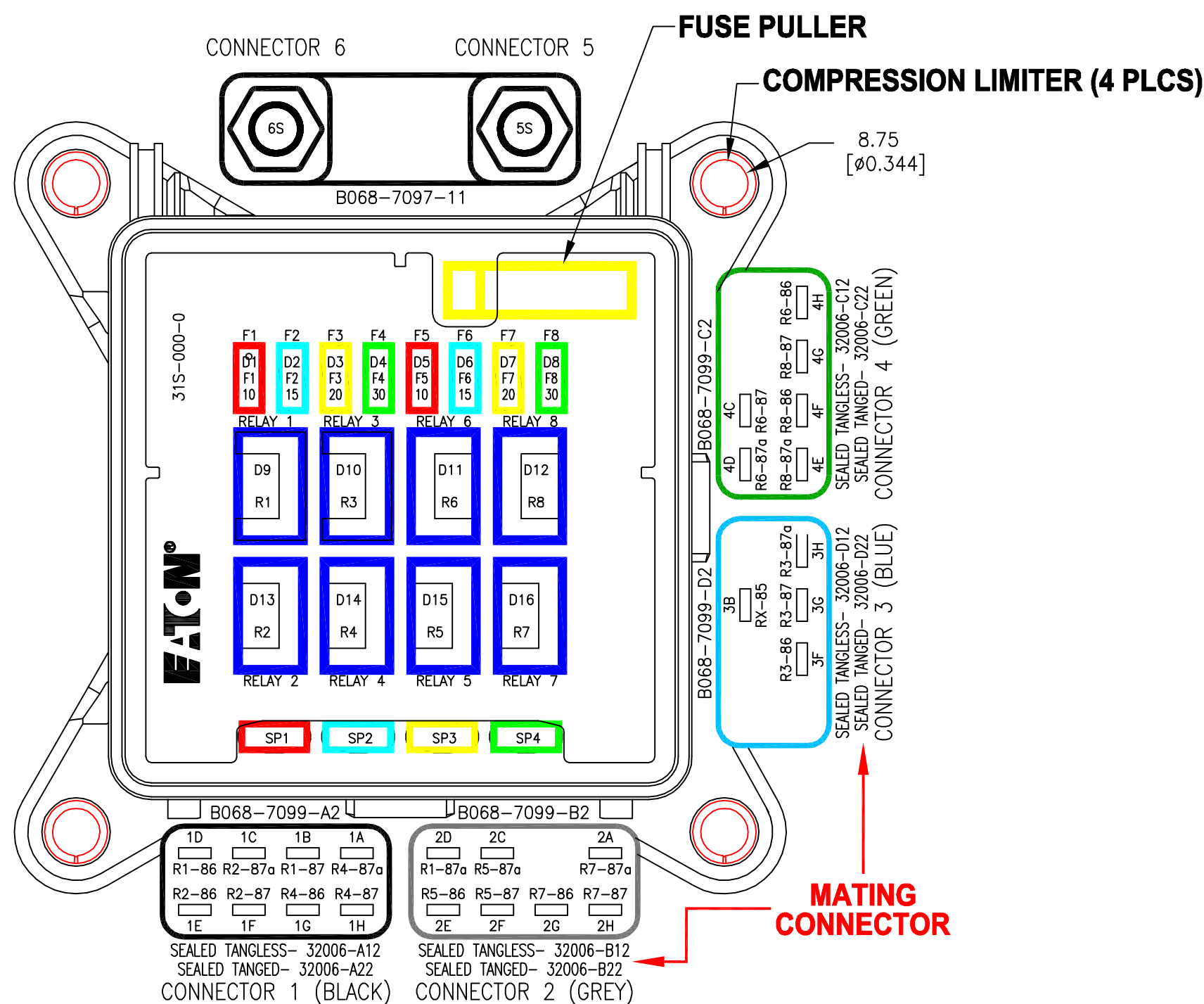
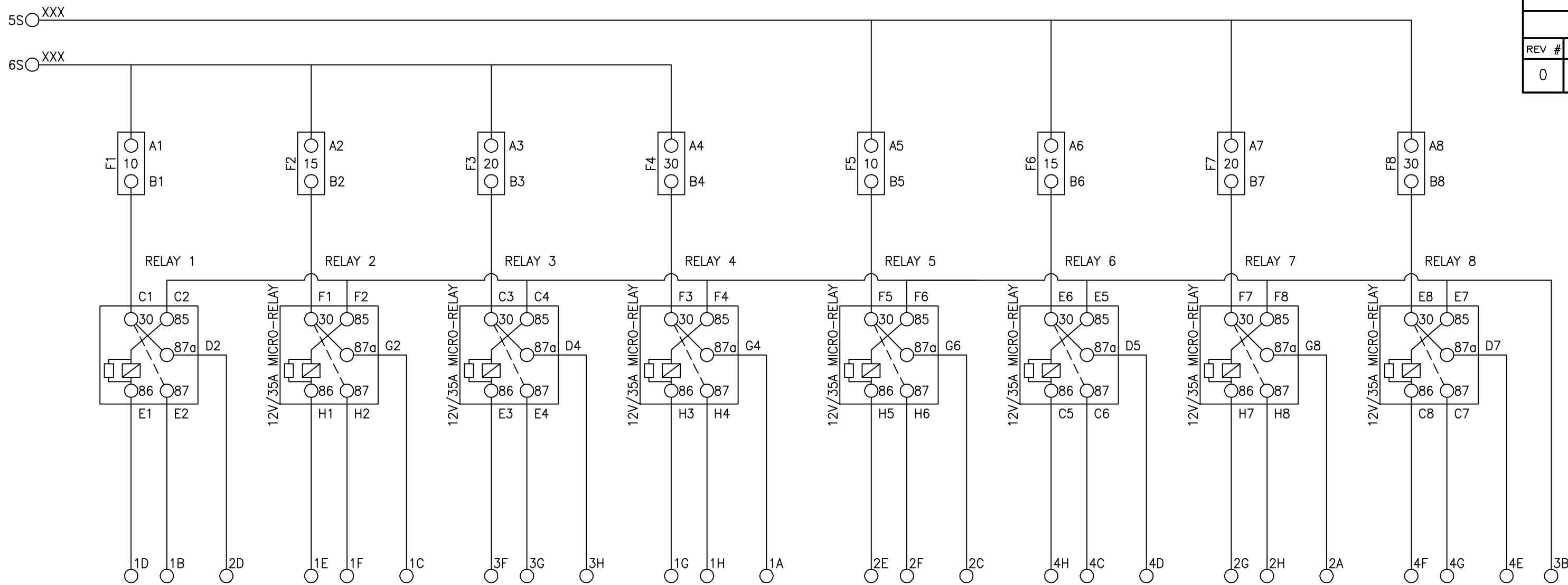


REV #	REVISIONS	DATE	APPR.
0	INITIAL RELEASED. ECO-101857, A.L	04-26 2016	



DEVICE PLACEMENT			
POSITION	REFERENCE	DEVICE	PART #
D1	F1	MINI FUSE	ATM-10UNP-PEC
D2	F2	MINI FUSE	ATM-15UNP-PEC
D3	F3	MINI FUSE	ATM-20UNP-PEC
D4	F4	MINI FUSE	ATM-30UNP-PEC
D5	F5	MINI FUSE	ATM-10UNP-PEC
D6	F6	MINI FUSE	ATM-15UNP-PEC
D7	F7	MINI FUSE	ATM-20UNP-PEC
D8	F8	MINI FUSE	ATM-30UNP-PEC
D9	R1	12V 5-PIN MICRO	B120-7016J
D10	R3	12V 5-PIN MICRO	B120-7016J
D11	R6	12V 5-PIN MICRO	B120-7016J
D12	R8	12V 5-PIN MICRO	B120-7016J
D13	R2	12V 5-PIN MICRO	B120-7016J
D14	R4	12V 5-PIN MICRO	B120-7016J
D15	R5	12V 5-PIN MICRO	B120-7016J
D16	R7	12V 5-PIN MICRO	B120-7016J

SPARE DEVICE PLACEMENT		
POSITION	DEVICE	PART #
SP1	MINI FUSE	ATM-10UNP-PEC
SP2	MINI FUSE	ATM-15UNP-PEC
SP3	MINI FUSE	ATM-20UNP-PEC
SP4	MINI FUSE	ATM-30UNP-PEC

DEVICE TOTALS		
DEVICE	PART #	AMOUNT
MINI FUSE	ATM-10UNP-PEC	3
MINI FUSE	ATM-15UNP-PEC	3
MINI FUSE	ATM-20UNP-PEC	3
MINI FUSE	ATM-30UNP-PEC	3
12V 5-PIN MICRO	B120-7016J	8

- SPECIFICATIONS:**
- CAPACITY (MAXIMUM RATING):
 - 200A (ssDVEC Rating)
 - 100A PER INPUT STUD (M8)
 - 30A PER OUTPUT TERMINAL
 - 100A MAXIMUM PER OUTPUT CONNECTOR
 - MAXIMUM TORQUE:
 - M8 INPUT STUD: 216 IN-LBS (18 FT-LBS)
 - MOUNTING: 200 TO 300 IN-LBS (16.7 TO 25 FT-LBS)
 - OPERATING TEMPERATURE: 40°F (-40°C) TO 221°F (105°C)
 - INGRESS PROTECTION: APPLICATION DEPENDENT UP TO IP66 REQUIREMENTS

MATERIAL		FINISH	
TOLERANCES UNLESS OTHERWISE SPECIFIED		THIRD ANGLE PROJECTION	
METRIC TOL	ENGLISH TOL		
1 PL DEC = ±.25 2 PL DEC = ±.13	3 PL DEC = ±.005		
COPYRIGHT Eaton. This is an unpublished work. The disclosure of this work is limited to a select personnel. Further dissemination or disclosure to the public is PROHIBITED. This unpublished work is protected by Federal Copyright law and all rights thereunder are reserved by Cooper Industries, Inc.		TITLE VEHICLE ELECTRICAL CENTER	
CONFIDENTIAL - The information contained in this document is the property of Eaton. It is not for public disclosure. Possession of the information does not convey any right to loan, sell or disclose the information. Unauthorized reproduction or use of the information is prohibited. This document is to be returned to Cooper Industries, Inc. upon completion of the purposes for which it is loaned or upon request.		DRAWN BY A. LUU	ENG. / APPR. A.L
SHEET 1 OF 1		DATE 04-26-16	SCALE NA
		PART NO. 31S-000-0 SALES	