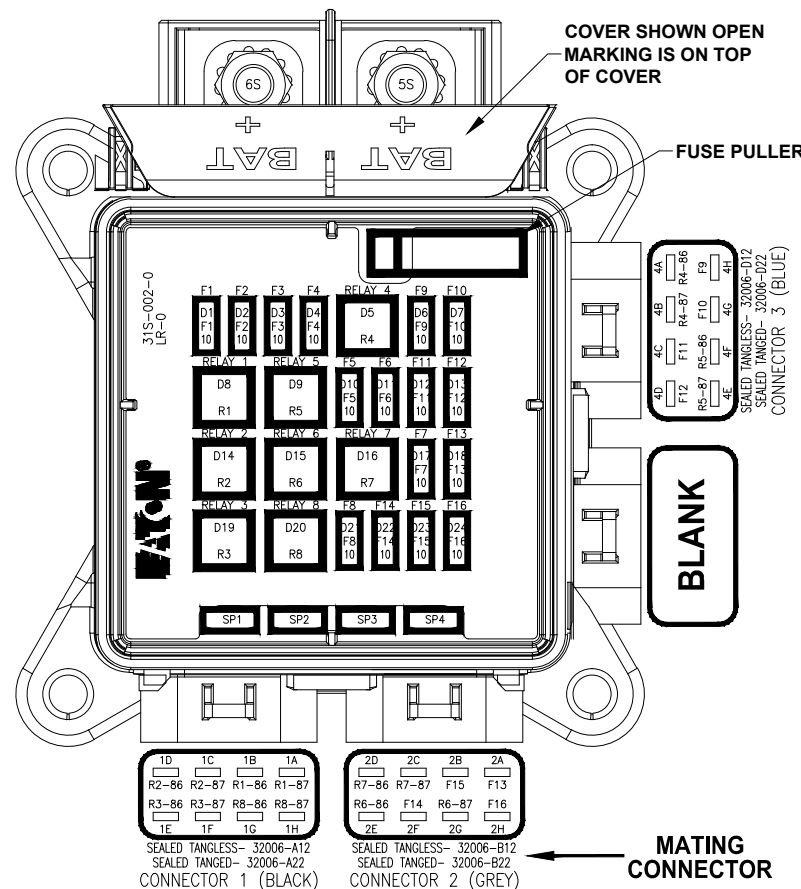
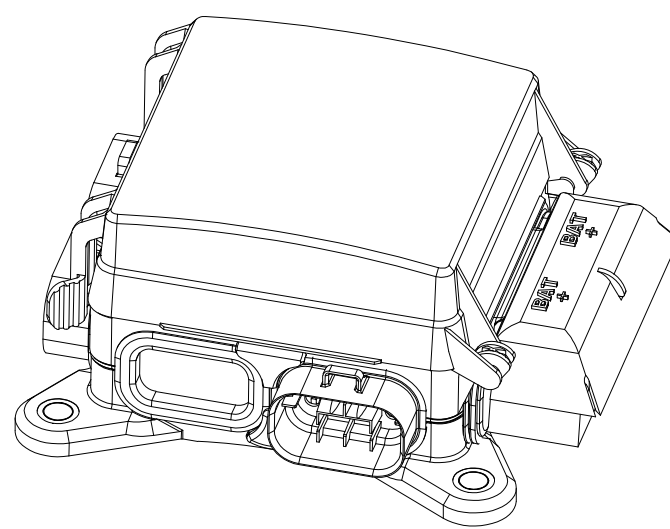


PART NO. 31S-002-0

METRIC(mm)

THIS IS A CAD DRAWING - DO NOT MANUALLY REVISE

REV #	REVISIONS	DATE	APPR.
0	RELEASED TO PRODUCTION ECO-118394	03-17 2017	A.L



POSITION	REFERENCE	DEVICE	PART #
D1	F1	MINI FUSE	ATM-10UNP-PEC
D2	F2	MINI FUSE	ATM-10UNP-PEC
D3	F3	MINI FUSE	ATM-10UNP-PEC
D4	F4	MINI FUSE	ATM-10UNP-PEC
D5	R4	12V, 4-PIN RELAY	B120-7022J
D6	F9	MINI FUSE	ATM-10UNP-PEC
D7	F10	MINI FUSE	ATM-10UNP-PEC
D8	R1	12V, 4-PIN RELAY	B120-7022J
D9	R5	12V, 4-PIN RELAY	B120-7022J
D10	F5	MINI FUSE	ATM-10UNP-PEC
D11	F6	MINI FUSE	ATM-10UNP-PEC
D12	F11	MINI FUSE	ATM-10UNP-PEC
D13	F12	MINI FUSE	ATM-10UNP-PEC
D14	R2	12V, 4-PIN RELAY	B120-7022J
D15	R6	12V, 4-PIN RELAY	B120-7022J
D16	R7	12V, 4-PIN RELAY	B120-7022J
D17	F7	MINI FUSE	ATM-10UNP-PEC
D18	F13	MINI FUSE	ATM-10UNP-PEC
D19	R3	12V, 4-PIN RELAY	B120-7022J
D20	R8	12V, 4-PIN RELAY	B120-7022J
D21	F8	MINI FUSE	ATM-10UNP-PEC
D22	F14	MINI FUSE	ATM-10UNP-PEC
D23	F15	MINI FUSE	ATM-10UNP-PEC
D24	F16	MINI FUSE	ATM-10UNP-PEC

POSITION	DEVICE	PART #
SP1	MINI FUSE	ATM-10UNP-PEC
SP2	MINI FUSE	ATM-10UNP-PEC
SP3	MINI FUSE	ATM-10UNP-PEC
SP4	MINI FUSE	ATM-10UNP-PEC

DEVICE	PART #	AMOUNT
12V, 4-PIN RELAY	B120-7022J	8
MINI FUSE	ATM-10UNP-PEC	20

B120-7022J: SONG CHUAN #303-1AH-C-R1-12VDC

- SPECIFICATIONS:
- RATING (MAXIMUM RATING):
    - 200A CAPACITY
    - 100A PER INPUT STUD (M8)
    - 30A PER OUTPUT TERMINAL
    - 100A PER OUTPUT CONNECTOR
  - MAXIMUM TORQUE:
    - M8 INPUT STUD: 216 IN-LBS (18 FT-LBS)
    - MOUNTING: 300 IN-LBS (25 FT-LBS)

- OPERATING TEMPERATURE: 40°F (-40°C) TO 221°F (105°C)
- INGRESS PROTECTION: APPLICATION DEPENDENT UP TO IP66 REQUIREMENTS
- OUTPUT TERMINAL: DELPHI METRI-PACK 280 SERIES (SEALED TANG OR TANGLESS)
- DELPHI METRI-PACK 280 SERIES CAVITY PLUGS ARE INSTALLED WHERE WIRES ARE NOT USED.

MATERIAL FINISH

TOLERANCES UNLESS OTHERWISE SPECIFIED

METRIC TOL	ENGLISH TOL	THIRD ANGLE PROJECTION
1 PL DEC.=±.25	2 PL DEC.= ±.01	
2 PL DEC.=±.13	3 PL DEC.= ±.005	

ANGULAR TOL= ± 2°  
FRACTION TOL= ± 1/64 IN

COPYRIGHT Eaton  
This is an unpublished work. The disclosure of this work is limited to a select personnel. Further dissemination or disclosure to the public is PROHIBITED. This unpublished work is protected by Federal Copyright law and all rights thereunder are reserved by Cooper Industries, Inc.

CONFIDENTIAL - The information contained in this document is the property of Eaton. It is not for public disclosure. Possession of the information does not convey any right to loan, sell or disclose the information. Unauthorized reproduction or use of the information is prohibited. This document is to be returned to Cooper Industries, Inc. upon completion of the purposes for which it is loaned or upon request.

FINISH

TITLE  
VEHICLE ELECTRICAL CENTER  
STANDARD 8 RELAYS & 16 FUSES

DRAWN BY: A. LUU  
ENG. / APPR.: A. LUU  
DATE: 03-17-17  
SCALE: N/A

PART NO. 31S-002-0

SHEET 1 OF 1