

MINI Blade Fuses

Specifications

Fast acting

Current Rating: 2-30A

Voltage Rating: 32VDC

Interrupt Rating: 1000A @ 32VDC

Housing Material: UL 94-V0 thermoplastic

Terminal Material: Silver-plated zinc alloy

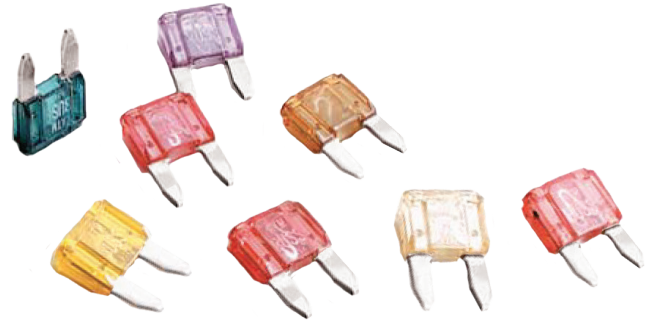
Temperature Rating: -40°F (-40°C) to 248°F (120°C)

Marking: Amperage marking is OCR compliant

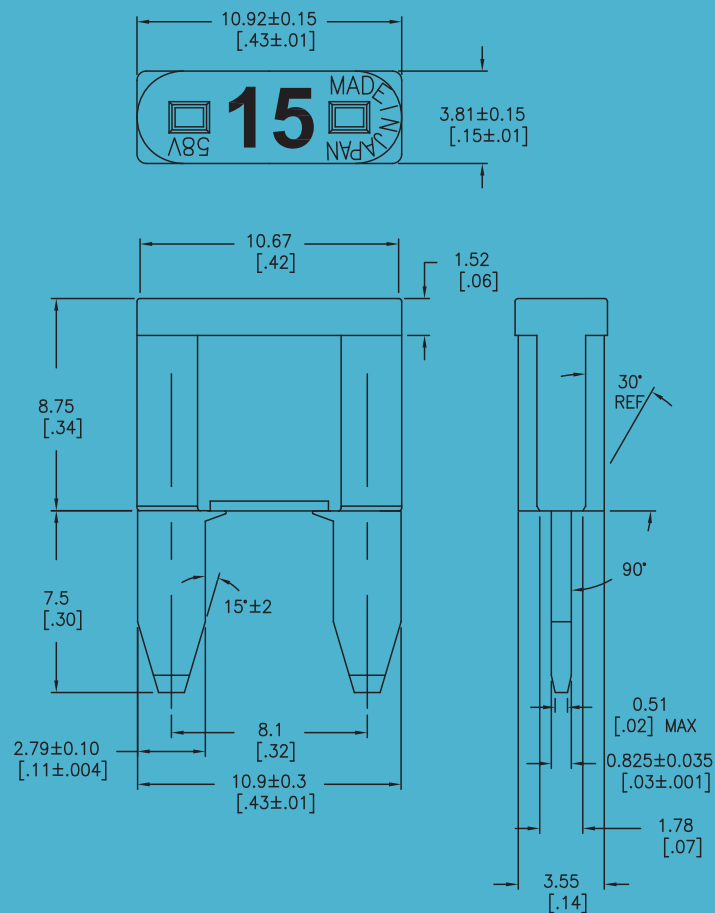
Compliances: UL-Listed; SAE J2077; ISO 8820-3; SAE

J1171 (Ignition protected)

Consult factory for higher voltage fuses.



Dimensions in Inches (mm)



Specifications

Part Number	Amp Rating	Color
BK-ATM-2	2	Grey
BK-ATM-3	3	Violet
BK-ATM-4	4	Pink
BK-ATM-5	5	Tan
BK-ATM-7.5	7.5	Brown
BK-ATM-10	10	Red
BK-ATM-15	15	Light Blue
BK-ATM-20	20	Yellow
BK-ATM-25	25	Natural
BK-ATM-30	30	Green

Time Current Curves

