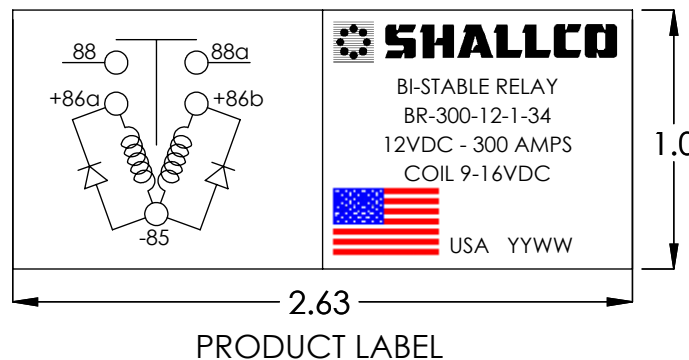
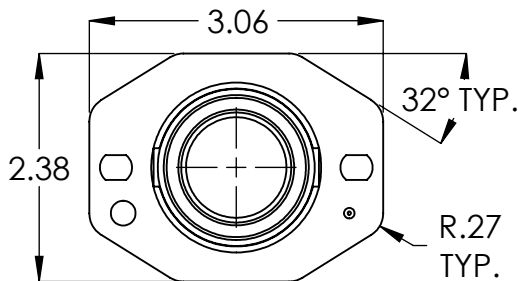
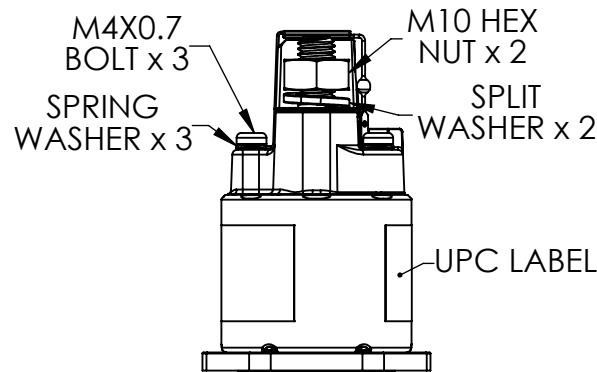
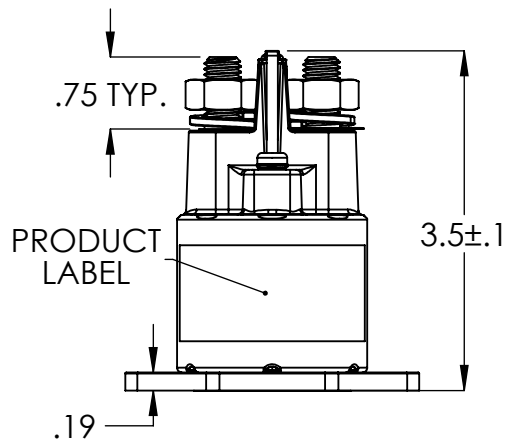


DETAIL SHOWN ABOVE ACTUAL SIZE



UPC BARCODE



308 COMPONENTS DRIVE, SMITHFIELD, NC 27577 USA

DO NOT SCALE DRAWING

TITLE: **BI-STABLE RELAY  
12VDC-300AMP  
W/HARDWARE & DIODES**

BLANK WEIGHT: - PART WEIGHT: 1.2 LBS

SIZE **A** DWG. NO. **BR-300-12-1-34** REV. **A**  
SHEET 1 OF 2

SCALE: 1:2 FILENAME: BR-300-12-1-34

	NAME	DATE
DRAWN	JRT	5-8-19
CHECKED		
ENG APPR.	RMF	5-8-19
MFG APPR.		
Q.A.		
DIMENSIONS ARE IN INCHES TOLERANCES: FRACTIONAL ±1/32 ANGULAR: MACH±1.0 BEND ± TWO PLACE DECIMAL ±.010 THREE PLACE DECIMAL ±.005		

**PROPRIETARY AND CONFIDENTIAL**

This document contains proprietary data for products designed by Shallco, Inc., of Smithfield, NC. No disclosure, reproduction, or use of any part thereof maybe made except by written permission.

REV.	DESCRIPTION	DATE	APP'D	REV.	DESCRIPTION	DATE	APP'D
	REVISIONS				REVISIONS		

## Bi-Stable Relay Technical Data

Temperature range: -40 C to +85°C  
 -40°F to +185°F  
 Max. Altitude rating: 50,000 ft.  
 Seal: IP67: IEC 60529  
 Shock: 6g, 11ms, Saw Tooth  
 Vibration: SAE J1455, Appendix A Cat. 2,  
 4g - 10Hz-2000Hz

## Electrical Characteristics

Min. Insulation Resistance: 100 MΩ  
 Dielectric withstanding voltage: 1025 V / 1 min.  
 Max. Contact drop, initial: 150 mV  
 (CTQ <0.0009 VDC @ 24 VDC 1AMP, MAX)  
 Duty rating, Continuous: 300 A

## Rated Contact Load 12 VDC


Resistive load: 50,000 cycles 300 A  
 Inductive load: 10,000 cycles 150 A  
 Motor load: 50,000 cycles 300 A  
 Bounce: ≤ 5 ms  
 Break: ≤ 5 ms

## Coil Data 12 VDC

Nominal voltage: 12 VDC  
 Voltage range: 9-16 VDC  
 (CTQ @ 7VDC)  
 Pull closed coil resistance: 1.92 Ω, ± 10%  
 Pull open coil resistance: 2.38 Ω, ± 10%  
 \*Minimum Pulse Length: 100ms\*  
 \*Maximum Pulse Length: 400ms\*  
 \*Max. operations per minute: 6 (Momentary Pulse)\*

**PROPRIETARY AND CONFIDENTIAL**  
 This document contains proprietary data for products designed by Shallco, Inc., of Smithfield, NC. No disclosure; reproduction, or use of any part thereof may be made except by written permission.

	NAME	DATE
DRAWN	JRT	5-8-19
CHECKED		
ENG APPR.	RMF	5-8-19
MFG APPR.		
Q.A.		



308 COMPONENTS DRIVE, SMITHFIELD, NC 27577 USA  
DO NOT SCALE DRAWING

TITLE:  
**BI-STABLE RELAY  
12VDC-300AMPS  
W/HARDWARE & DIODES**

SIZE <b>A</b>	DWG. NO. <b>BR-300-12-1-34</b>	REV. <b>A</b>
SHEET 2 OF 2		
SCALE:1:2	FILENAME: BR-300-12-1-34	

DWG NO: BR-300-12-1-34