

MAXI Blade Fuses

Specifications

Fast acting

Current Rating: 20-80A

Voltage Rating: 32VDC

Interrupt Rating: 1000A @ 32VDC

Housing Material: UL 94-V0 thermoplastic

Terminal Material: Silver-plated zinc alloy

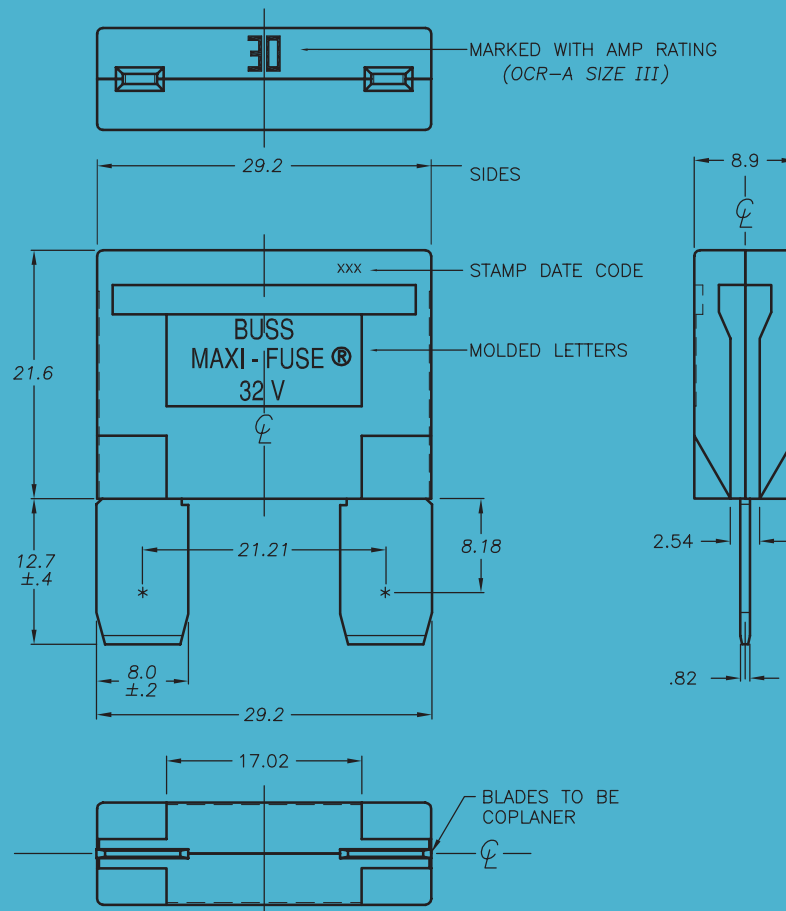
Temperature Rating: -40°F (-40°C) to 248°F (120°C)

Marking: Amperage marking is OCR compliant

Compliances: SAE J1888, ISO 8820-3, SAE J1171 (ignition protected)



Dimensions in Inches (mm)



Specifications

Part Number	Amp Rating	Color
BK-MAX-20	20	Yellow
BK-MAX-30	30	Green
BK-MAX-40	40	Orange
BK-MAX-50	50	Red
BK-MAX-60	60	Blue
BK-MAX-70	70	Tan
BK-MAX-80	80	Neutral

Time Current Curves

