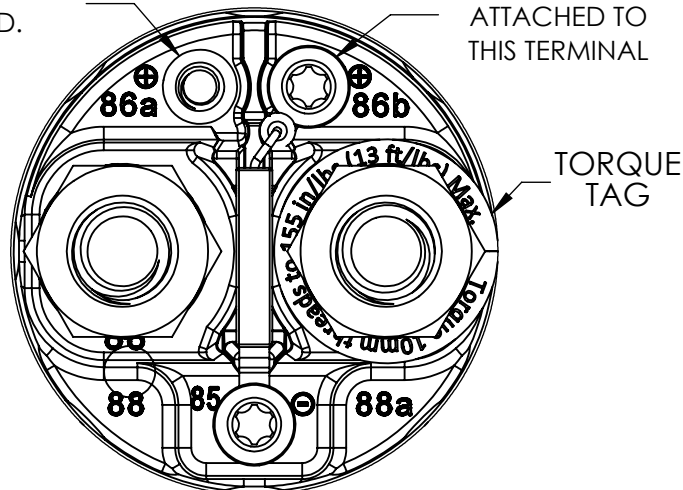


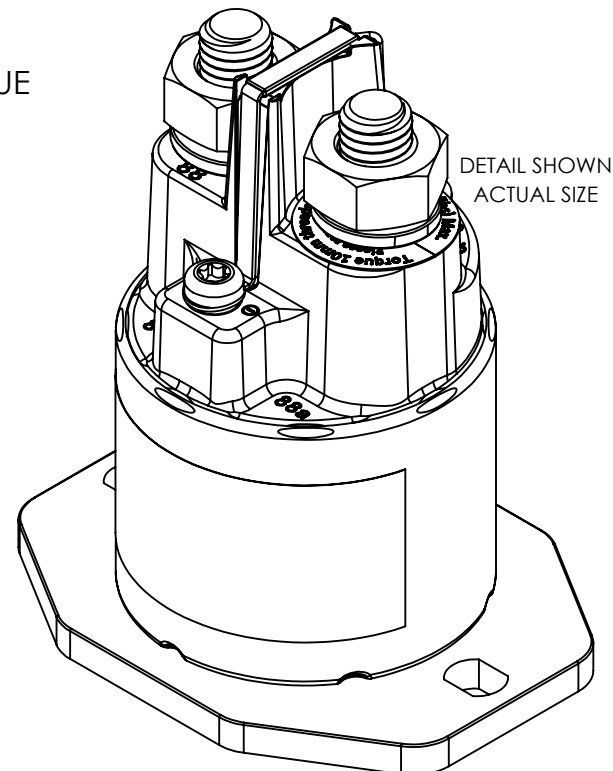
THIS TERMINAL IS NOT USED.

DIODE LEG ATTACHED TO THIS TERMINAL

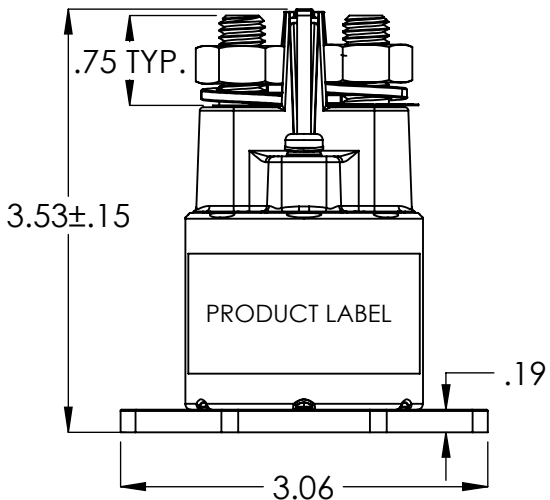


TORQUE TAG

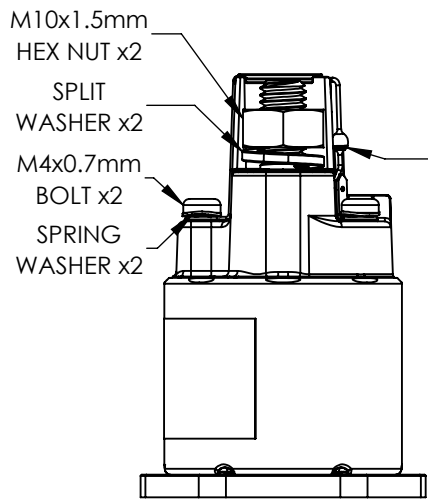
DETAIL A SCALE 4 : 3



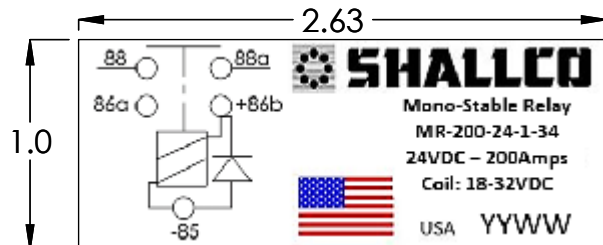
DETAIL SHOWN ACTUAL SIZE



PRODUCT LABEL



NOTICE ORIENTATION OF DIODE POLARITY BAND



SHALCO
Mono-Stable Relay
MR-200-24-1-34
24VDC - 200Amps
Coil: 1B-32VDC
USA YYWW

CONTINUOUS DUTY COIL

PRODUCT LABEL

SHALCO

308 COMPONENTS DRIVE, SMITHFIELD, NC 27577 USA

DO NOT SCALE DRAWING

TITLE: **MONOSTABLE RELAY 24VDC-200AMP WITH HARDWARE & DIODE 24VDC COIL**

BLANK WEIGHT: - PART WEIGHT: 1 LB

SIZE **A** DWG. NO. **MR-200-24-1-34** REV. **A**
SHEET 1 OF 2

SCALE:1:2 FILENAME:MR-200-24-1-34

PROPRIETARY AND CONFIDENTIAL

This document contains proprietary data for products designed by Shallco, Inc., of Smithfield, NC. No disclosure; reproduction, or use of any part thereof may be made except by written permission.

REV.	DESCRIPTION	DATE	APP'D	REV.	DESCRIPTION	DATE	APP'D
REVISIONS				REVISIONS			

NAME	DATE
DRAWN JRT	3-13-20
CHECKED	
ENG APPR. RMF	3-13-20
MFG APPR.	
Q.A.	

DIMENSIONS ARE IN INCHES
TOLERANCES:
FRACTIONAL ±1/32
ANGULAR: MACH ± BEND ±
TWO PLACE DECIMAL ±.010
THREE PLACE DECIMAL ±.005

Monostable Relay Technical Data

Temperature range: -40 C to +85°C
 -40°F to +185°F
 Max. Altitude rating: 50,000 ft.
 Seal: IP67: IEC 60529
 Shock: 6g, 11ms, Saw Tooth
 Vibration: SAE J1455, Appendix A,
 Category 2,
 4g - 10Hz-2000Hz
 Mechanical Life: > 50,000 cycles

Electrical Characteristics

Min. Insulation Resistance: 100 MΩ (500VDC)
 Dielectric withstanding voltage: 1,050 V / 1 min.
 Max. Voltage drop: 200 mV (CTQ <0.0009 VDC @ 1AMP, MAX)
 Duty rating, Continuous: 200 A

Rated Contact Load 24 VDC (Break)

Resistive load: 50,000 cycles 200 A
 Inductive load: 10,000 cycles 100 A
 Motor load: 50,000 cycles 200 A
 Bounce: ≤ 5 ms
 Break: ≤ 5 ms

Coil Data 24 VDC

Nominal voltage: 24 VDC
 Voltage range: 18-32 VDC
 Drop out: 4 VDC
 Coil resistance: 58 Ω ± 10%
 Coil Wattage: 10W
 Duty rating: 24V Continuous

PROPRIETARY AND CONFIDENTIAL

This document contains proprietary data for products designed by Shallco, Inc., of Smithfield, NC. No disclosure, reproduction, or use of any part thereof may be made except by written permission.

	NAME	DATE
DRAWN	JRT	3-13-20
CHECKED		
ENG APPR.	RMF	3-13-20
MFG APPR.		
Q.A.		

		
308 COMPONENTS DRIVE, SMITHFIELD, NC 27577 USA DO NOT SCALE DRAWING		
TITLE: MONOSTABLE RELAY 24VDC-200AMP WITH HARDWARE & DIODE 24VDC COIL		
SIZE A	DWG. NO. MR-200-24-1-34	REV. A
SCALE:1:2	FILENAME: MR-200-24-1-34	

DWG NO: MR-200-24-1-34