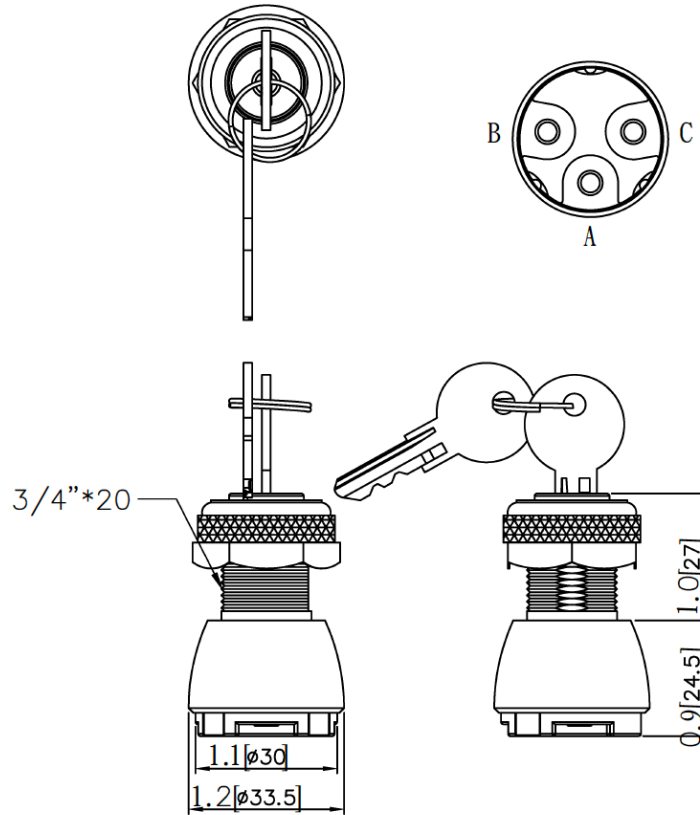
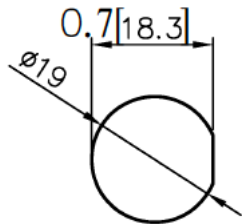


Mechanical Dimensions: Inches [mm]

Tolerances ± 0.012 [0.3] Unless Otherwise Specified

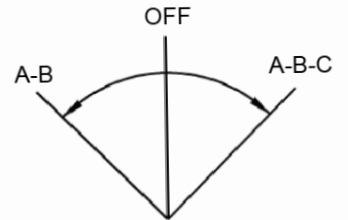


Mounting Hole



Circuit Diagram

SPDT ON-OFF-ON



Electrical Specifications

Continuous Rating 15A 6VDC, 10A 12VDC

Material Specifications

Zinc diecast construction

Bronze terminals

2 Brass keys. Key removable in OFF position only

Rev	Date of issue	Revision Notes	Designed	Approved
A	11-13-2020	Initial Drawing	RC	OF