

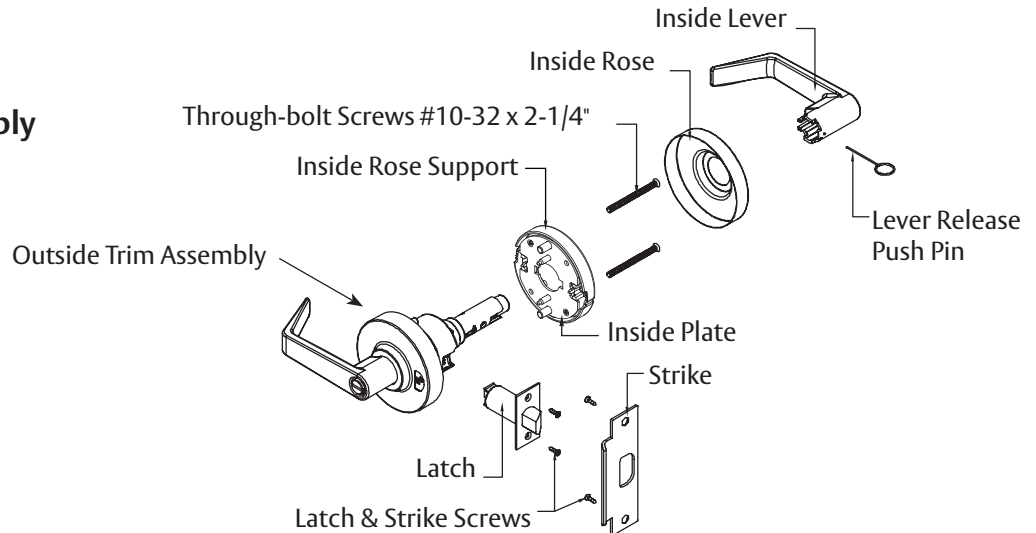
Cylindrical Indicator Lockset

1 Tools Required

- #2 Phillips Head Screwdriver
- Push pin tool (provided)
- 5/16" drill bit
- 1/8" drill bit
- 5/32" drill bit

2 Product Components

Important: Do not remove outside lever and rose assembly from lockbody.



3 Door Preparation

1. Use template provided to mark the door (Figure 1).
2. Drill the door according to the template.
3. Verify the dimensions (Figure 2).
4. Install the strike (Figure 3).

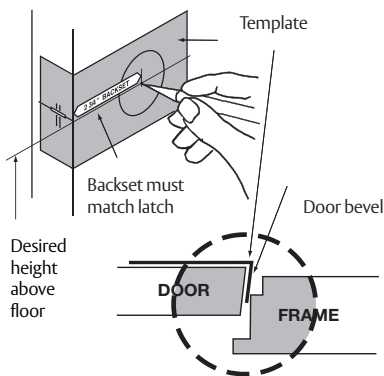


Figure 1

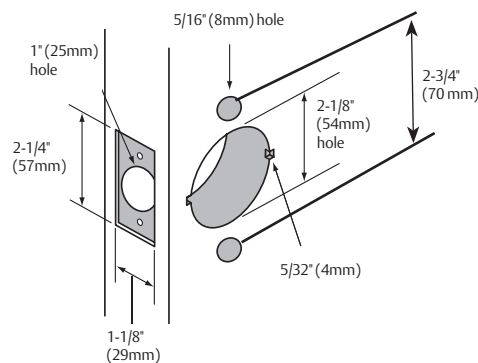


Figure 2

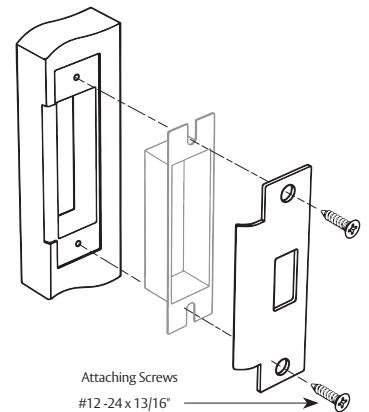


Figure 3

IMPORTANT

- The accuracy of door preparation is critical for proper functioning and security of this lever handle lock. Misalignment can cause premature wear and a lessening of security.
- Be sure to verify backset before marking and drilling door.

4 Latch Installation

Insert latch in door. The bevel edge of the bolt must face the strike plate. Attach with (2) #8-32 x 3/4" screws, supplied.

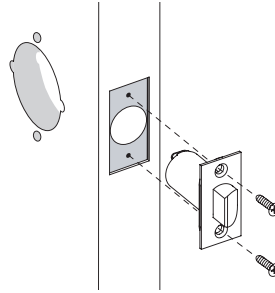


Figure 4

5 Install Outside Trim Assembly

Standard for 1-3/4" (44mm) thick doors with allowance for standard wrap-around plates. For 1-3/8" (35mm) thick doors, add optional adapter plates to both sides of the door. See Section 7 for more information.

1. Remove inside lever and inside rose support from lockbody. **Do not remove outside lever and rose assembly from lockbody.**
2. Insert outside trim assembly into door from outside making sure that lockbody hooks latch case and retractor engages bolt tail(s) (Figure 5).

DO NOT FORCE. (If lockbody does not engage latch easily, check door preparation for errors.)

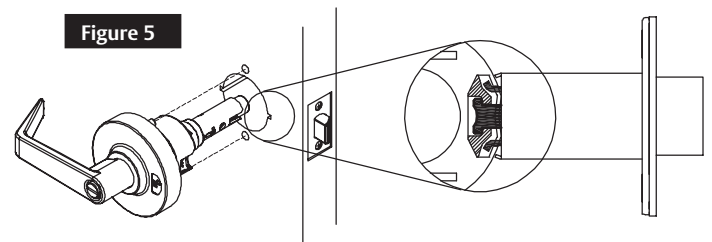


Figure 5

6 Install Inside Components

1. Align and insert inside rose support with plate onto the installed lockbody. The bushing leg should be on the side furthest from the latch (Figure 6).
2. Install (2) #10-32 x 2-1/4" screws, supplied to tighten the lock to the door.
3. Orient dimples on side of inside rose with openings on side of rose support assembly. Rotate rose to secure.
4. Attach inside lever over the shank and push to engage.

Note: Test for proper indicator and lock operation before closing door.

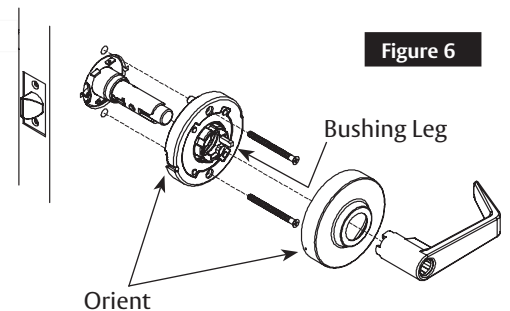


Figure 6

7 1-3/8" Thick Doors

For 1-3/8" thick doors, adapter plates must be installed next to the door (Figure 7).

It is recommended to install them on both sides.

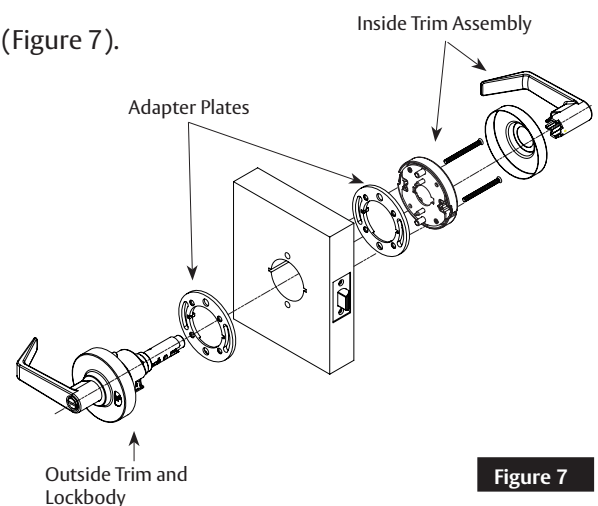


Figure 7

⚠ WARNING

Attention installer: Improper installation may result in damage to the product and void the factory warranty.

For installation assistance contact Arrow Lock & Door Hardware at 1-800-327-8539 or Yale Locks & Hardware at 1-855-557-5078

⚠ WARNING

This product can expose you to lead which is known to the state of California to cause cancer and birth defects or other reproductive harm. For more information go to www.P65warnings.ca.gov.