

# PCA® Caché®

## Hidden Faucet Aerator - 1.5 gpm

Pressure Compensating Tiny Junior Size

### Features and Benefits

- Threads directly (and disappears) into the faucet spout.
- Helps facilitate spout manufacturing and reduce cost.
- Vandal proof by design.
- Built on Perlator® Perlator® design.

### Certification

ANSI/NSF 61

Selected models: materials in compliance with NSF 61 listing update pending

WaterSense listed

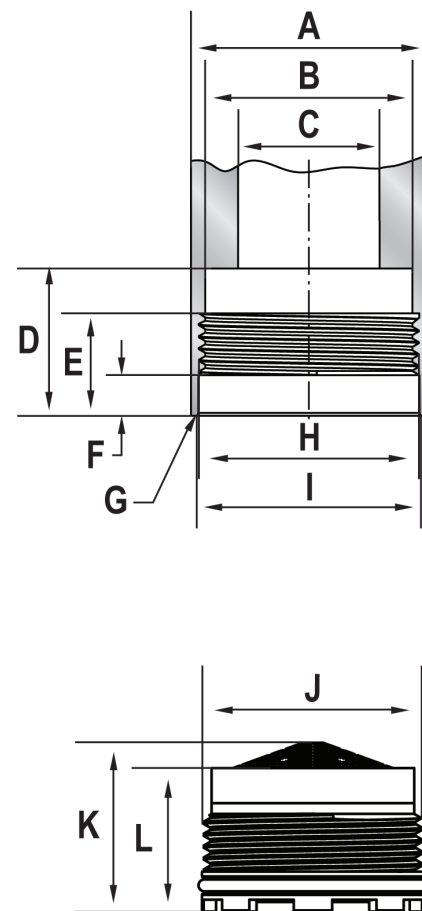


### Dimensions

No	mm	Tolerance	In	Tolerance
A	≥20.00		≥.787	
B	17.55	+ 0.05 / - 0.05	.691	+ .002 / - .002
C	≥12.00		≥.472	
D	≥12.50		≥.492	
E	≥8.70		≥.343	
F	3.45	+ 0.50 / - 0.50	.136	+ .002 / - .002
G	R 0.25	+ 0.05 / - 0.05	R .010	+ .002 / - .002
H	M18.5x1-6H			
I	18.75	+ 0.05 / - 0.05	.738	+ .002 / - .002
J	M18.5x1-6g			
K	14.25	+ 0.50 / - 0.50	.561	+ .020 / - .020
L	12.05	+ 0.20 / - 0.20	.474	+ .008 / - .008

### Color Code

Dome: Clear / Green	Ring: White	Basket: Gray
---------------------	-------------	--------------



### Technical Data

Material:

Body Acetal  
 O-ring Silicone

Working temperature: 150°F  
 Working pressure: 125 psi