

# PCA® Caché®

## Hidden Faucet Aerator - 2.2 gpm

Flow Restricted Small Size

### Features and Benefits

- Threads directly (and disappears) into the faucet spout.
- Helps facilitate spout manufacturing and reduce cost.
- Vandal proof by design.
- Built on Cascade® or Perlator® design.

### Certification

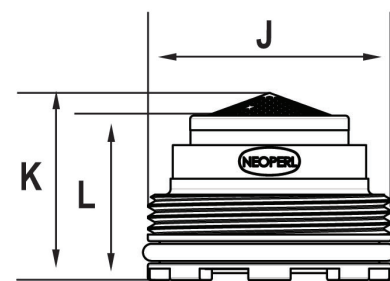
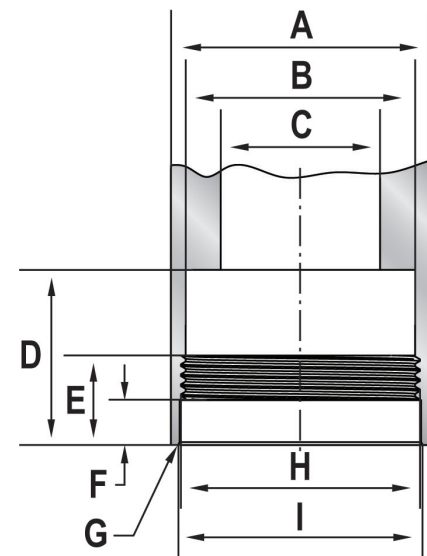
ANSI/NSF 61  
 ASME A112.18.1M and CSA B125 (selected flow rates)

### Dimensions

No	mm	Tolerance	In	Tolerance
A	≥23.00		≥.906	
B	20.55	+ 0.05 / - 0.05	>.809	+ .002 / - .002
C	≥12.00		≥.472	
D	≥12.50		≥.492	
E	≥8.00		≥.315	
F	4.00	+ 0.10 / - 0.10	.157	+ .004 / - .004
G	R 0.25	+ 0.05 / - 0.05	R .010	+ .002 / - .002
H	M21.5x1-6H			
I	21.75	+ .05 / - .05	.856	+ .002 / - .002
J	M21.5x1-6g			
K	13.85 + 0.07 / - 0.07		.545	+ .023 / - .023
L	11.85 + 0.02 / - 0.02		.467	+ .008 / - .008

### Color Code

Dome: Clear / Yellow	Ring: White	Basket: Gray
----------------------	-------------	--------------



### Technical Data

Material:

Body Acetal  
 O-ring Silicone

Working temperature: 150°F  
 Working pressure: 125 psi