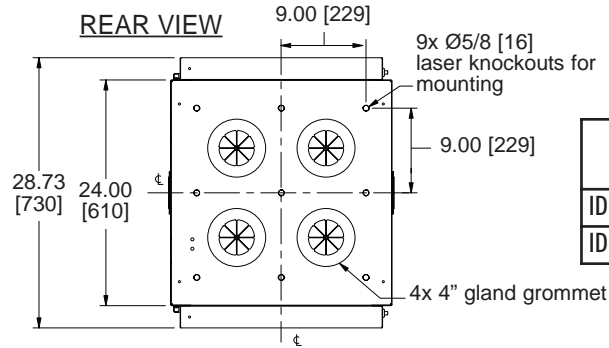


# IDF basic dimensions

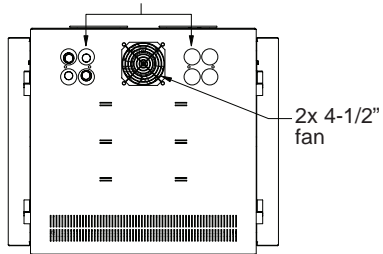
All dimensions in inches unless otherwise noted [All dimensions in brackets are in millimeters]



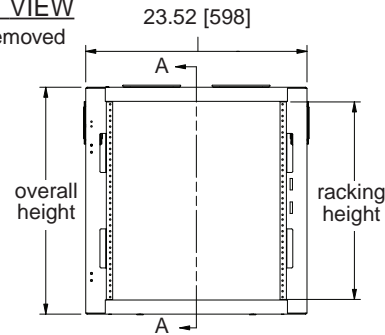
Part #	Overall Height	Racking Height	Rack Spaces	Weight Capacity
IDF-TM-1224BK	24.13 [613]	21.00 [533]	12 SP	150 lbs.
IDF-TM-1624BK	31.13 [791]	28.00 [711]	16 SP	150 lbs.

**SIDE VIEW**

1900 electrical box may mount to either left or right of fan

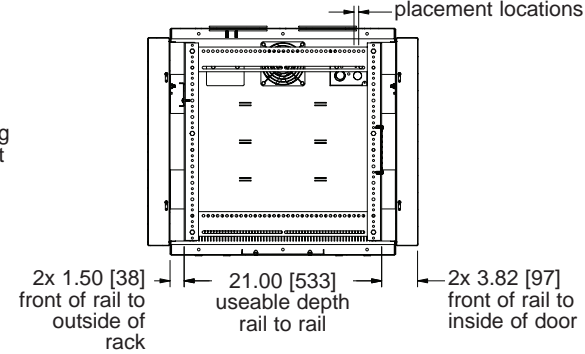


**FRONT VIEW**  
doors removed



**SIDE VIEW**

.50 [13] typ. mounting holes for optional rail bracket extender part # IDF-ARB-24 allows for additional rackrail placement locations



**BOTTOM VIEW**

