



**DOSATRON®**

WATER POWERED DOSING TECHNOLOGY

---

# SCHEMATICS

## Dosatron Liquid Dispenser **Model # D14MZ2 - 14 GPM**

1:500 - 1:50

4.3 – 85 PSI

3/4" NPT Connection

### **Suggested Installation:**

200 mesh/80 micron water filter prior to unit

One-way check valve downstream from unit for water hammer protection

### **Suggested Maintenance Interval:**

Replace injection seals every 12 months

---

#### **DOSATRON SALES & SERVICE - NORTH & CENTRAL AMERICA**

Dosatron International, Inc.

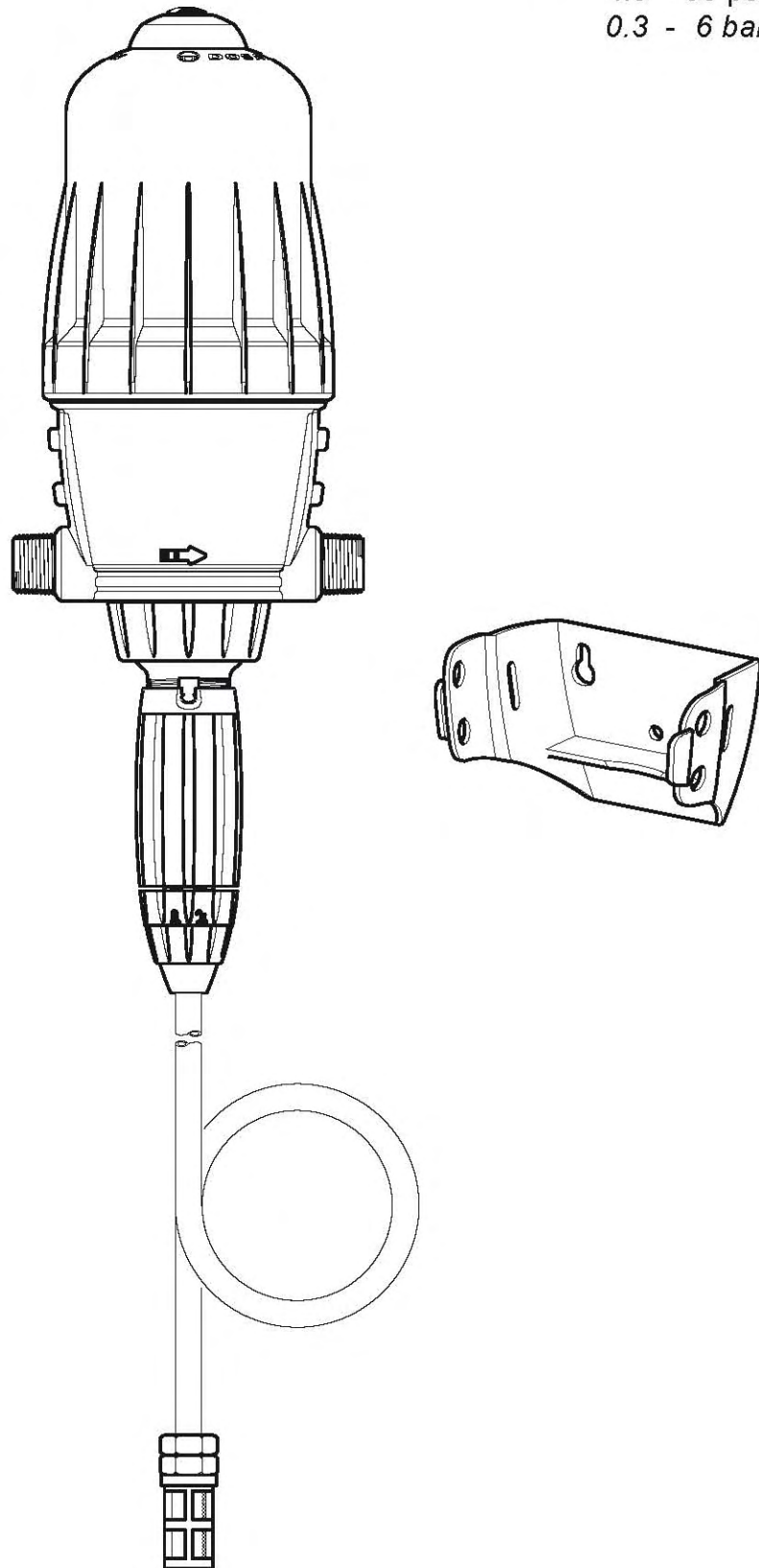
Phone: 727-443-5404 Service: (800) 523-8499

Fax: 727-447-0591

[www.dosatronUSA.com](http://www.dosatronUSA.com)

# D14MZ2

14 GPM - 1:500 - 1:50  
3 m<sup>3</sup>/h - 0.2 - 2 %  
4.3 - 85 psi  
0.3 - 6 bar



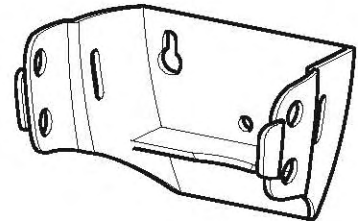
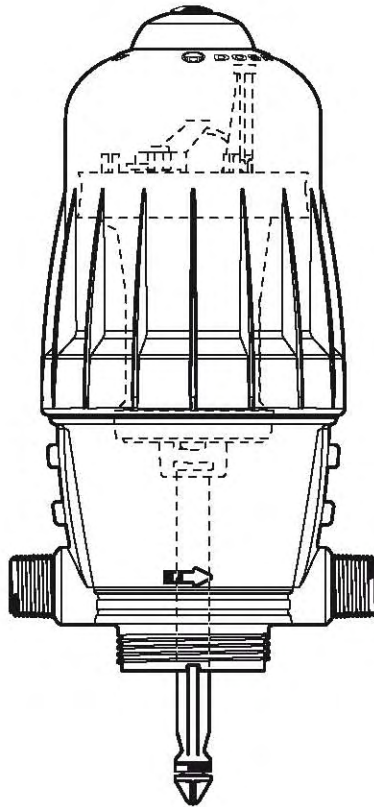
© DOSATRON INTERNATIONAL S.A.S. 2008  
D14MZ2/0608/D1

PJDI116 - Injection Seal Kit

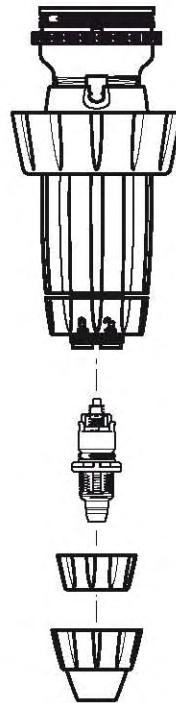
# D14MZ2

14 GPM - 1:500 - 1:50  
3 m<sup>3</sup>/h - 0.2 - 2 %  
4.3 - 85 psi  
0.3 - 6 bar

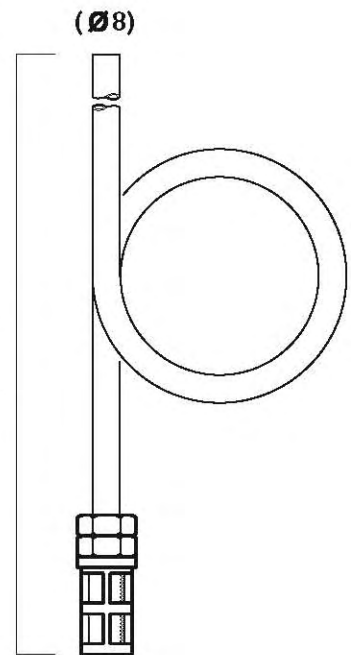
C+M



D

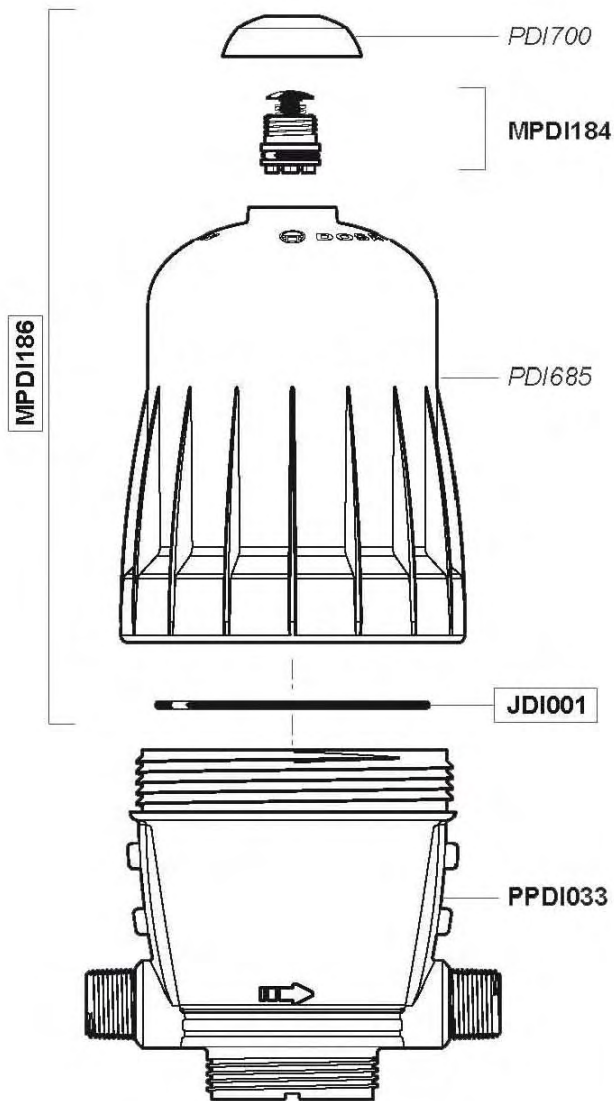


A



# D14MZ2

14 GPM - 1:500 - 1:50  
3 m<sup>3</sup>/h - 0.2 - 2 %  
4.3 - 85 psi  
0.3 - 6 bar

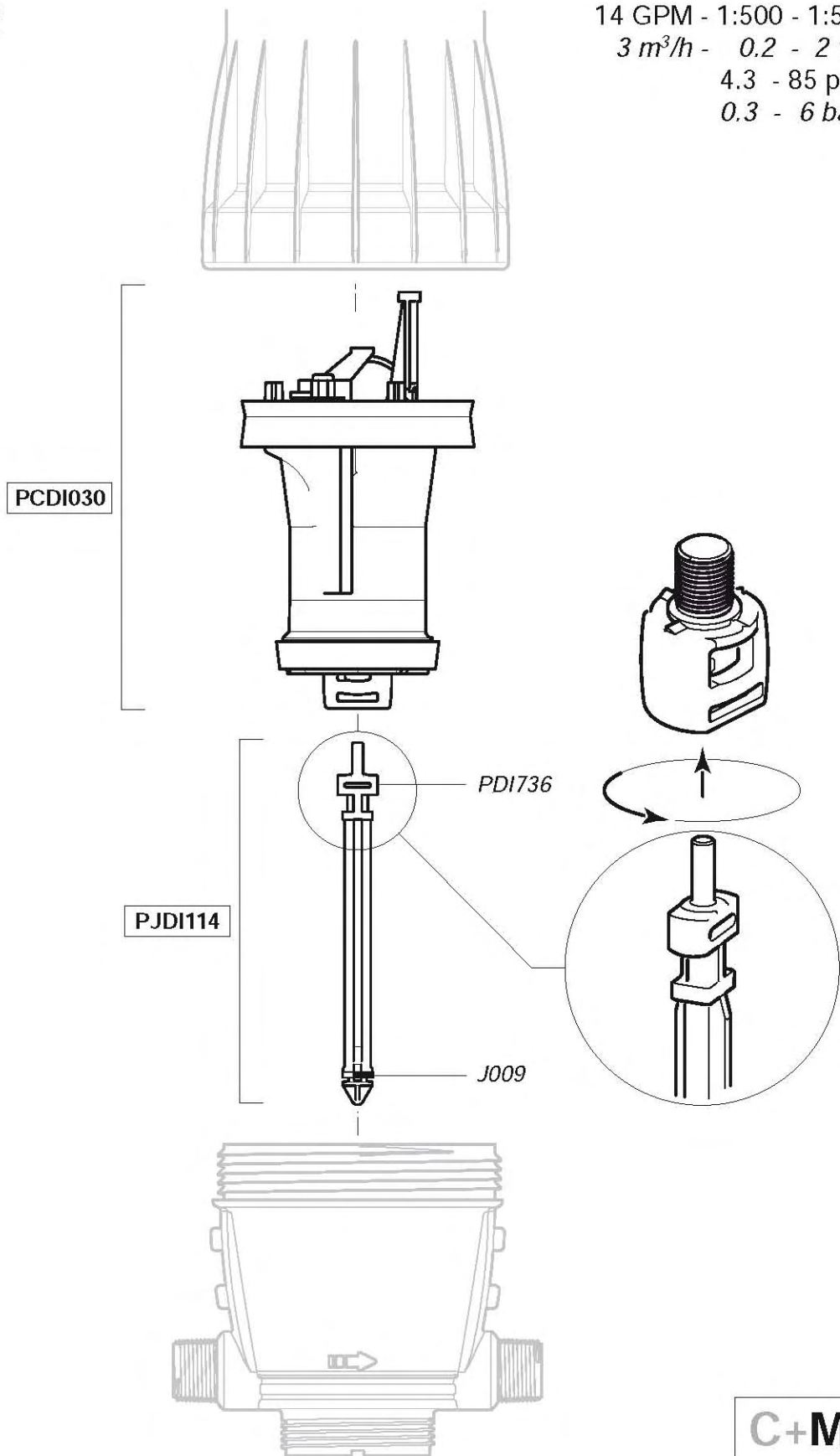


## Option



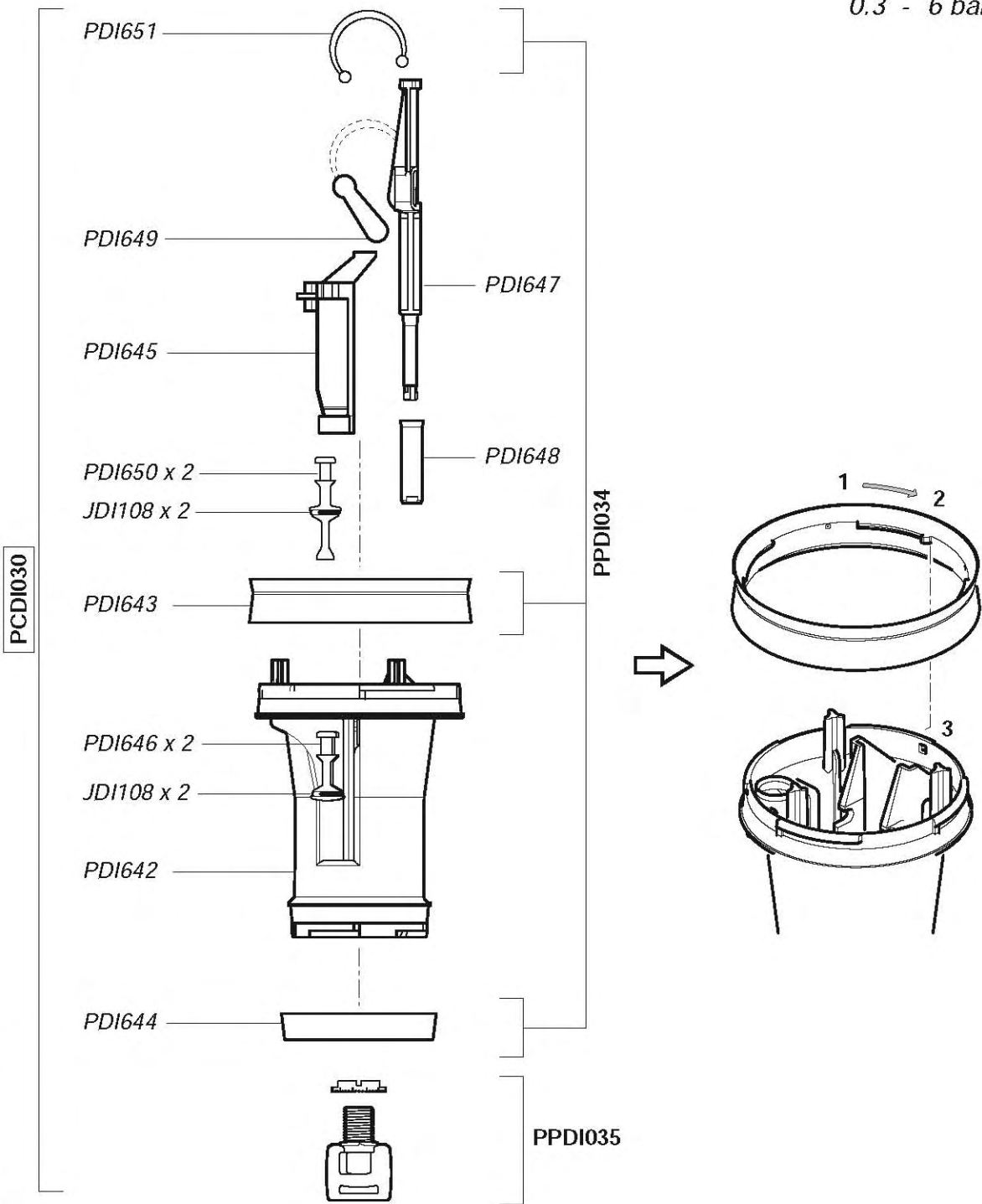
# D14MZ2

14 GPM - 1:500 - 1:50  
3 m<sup>3</sup>/h - 0.2 - 2 %  
4.3 - 85 psi  
0.3 - 6 bar



# D14MZ2

14 GPM - 1:500 - 1:50  
 3 m<sup>3</sup>/h - 0.2 - 2 %  
 4.3 - 85 psi  
 0.3 - 6 bar

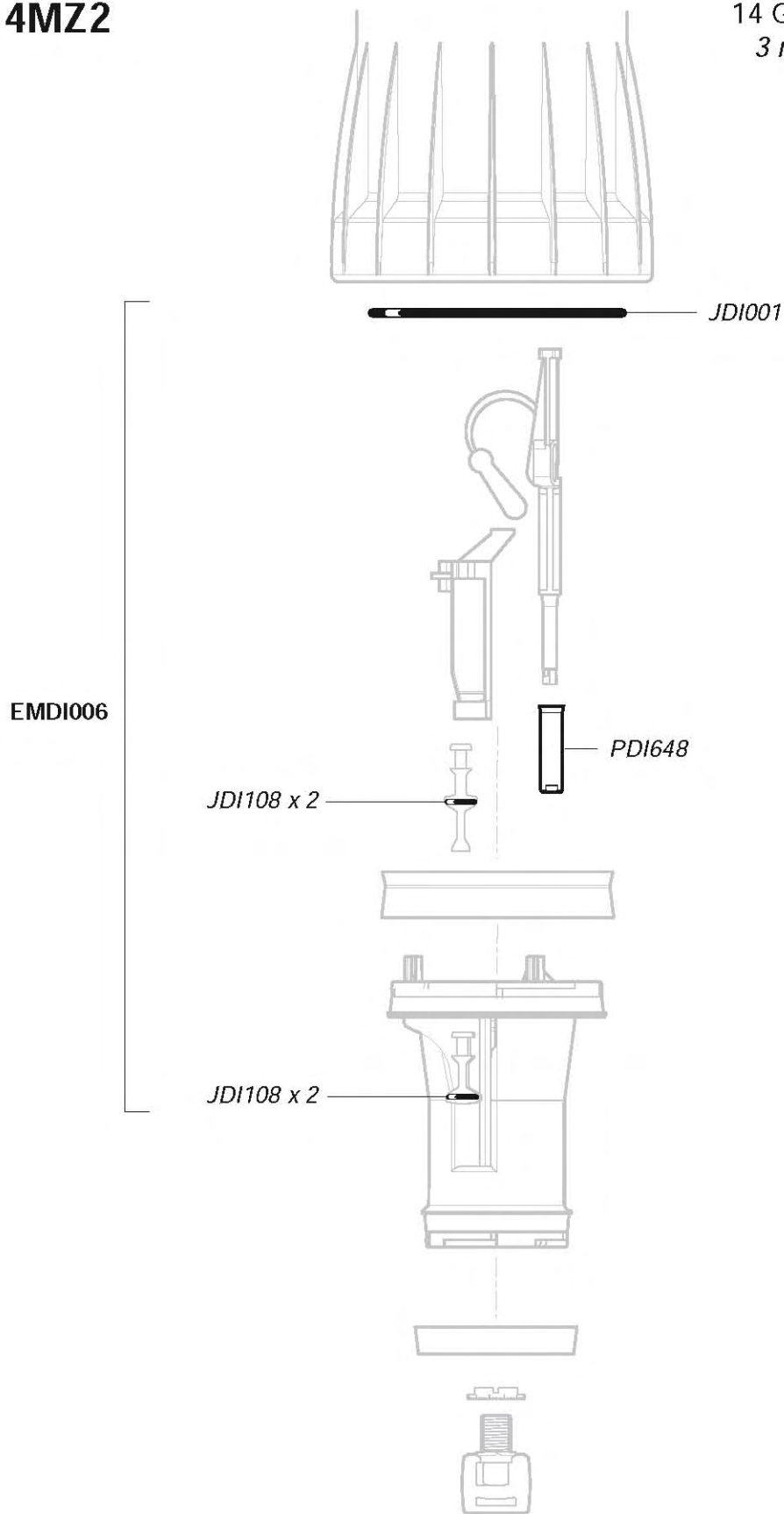


© DOSATRON INTERNATIONAL S.A.S. 2008  
 D14MZ2/0608/D5



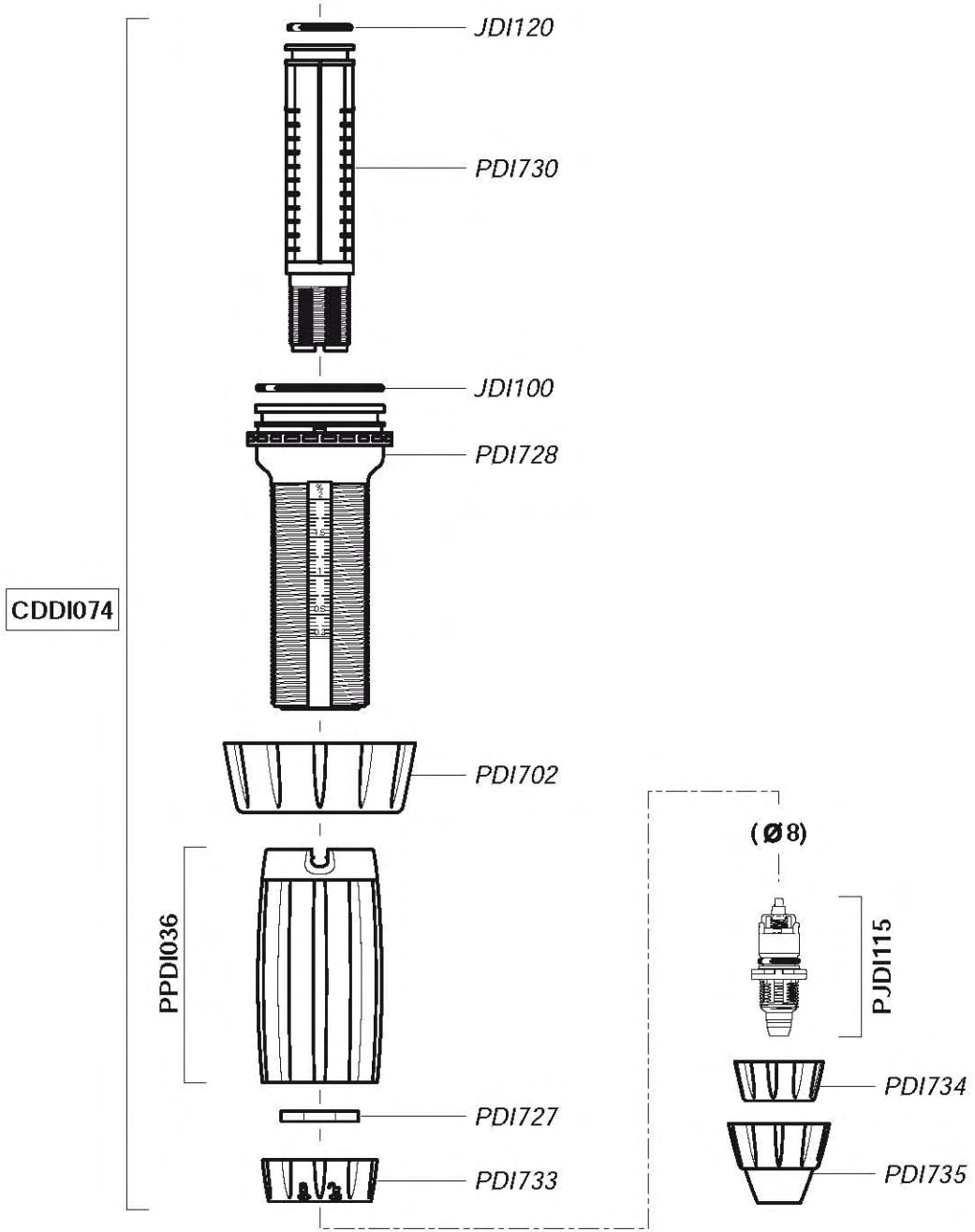
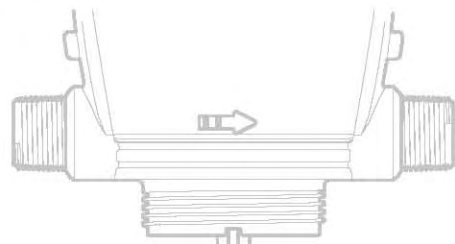
# D14MZ2

14 GPM - 1:500 - 1:50  
3 m<sup>3</sup>/h - 0.2 - 2 %  
4.3 - 85 psi  
0.3 - 6 bar



# D14MZ2

14 GPM - 1:500 - 1:50  
 3 m<sup>3</sup>/h - 0.2 - 2 %  
 4.3 - 85 psi  
 0.3 - 6 bar



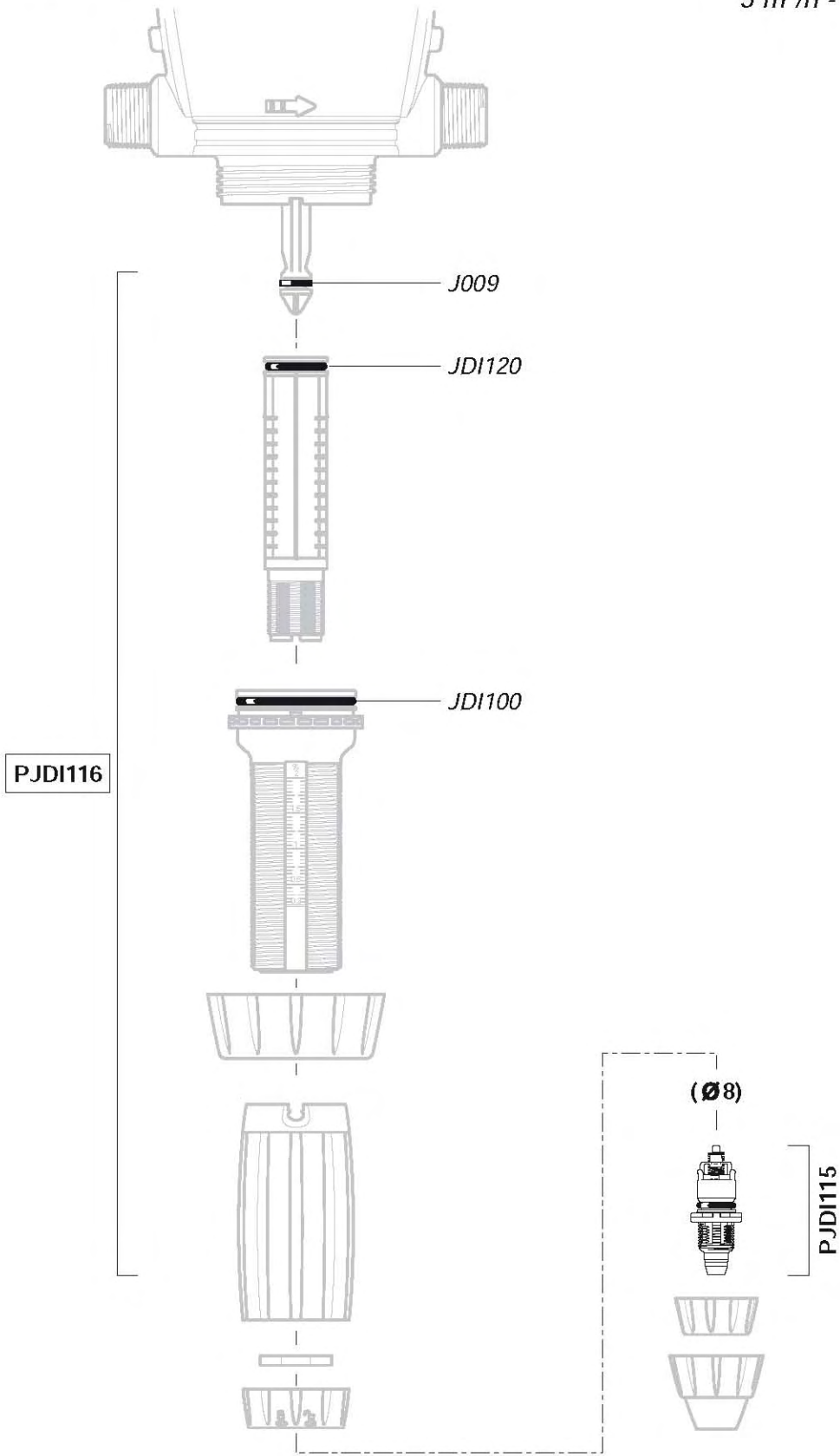
© DOSATRON INTERNATIONAL S.A.S. 2008  
 D14MZ2/0608/D7

**D**



# D14MZ2

14 GPM - 1:500 - 1:50  
3 m<sup>3</sup>/h - 0.2 - 2 %  
4.3 - 85 psi  
0.3 - 6 bar

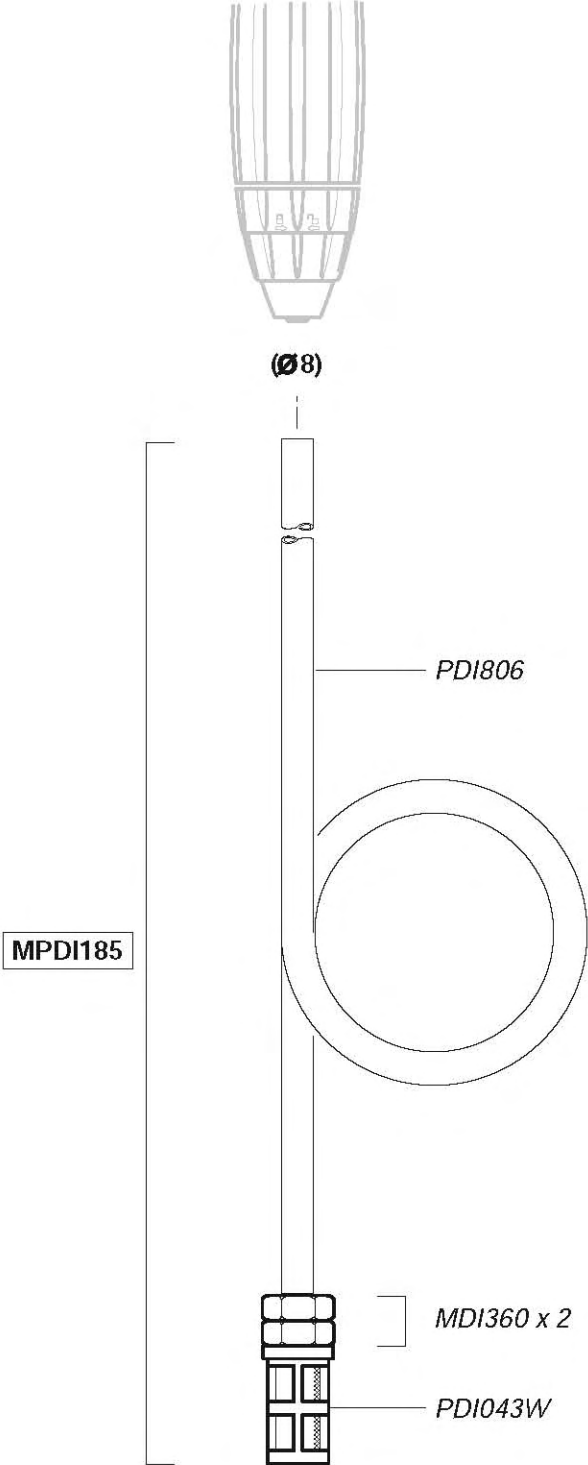


© DOSATRON INTERNATIONAL S.A.S. 2008  
D14MZ2/0608/D8

**D**

# D14MZ2

14 GPM - 1:500 - 1:50  
3 m<sup>3</sup>/h - 0.2 - 2 %  
4.3 - 85 psi  
0.3 - 6 bar



© DOSATRON INTERNATIONAL S.A.S. 2008  
D14MZ2/0608/D9

**A**