

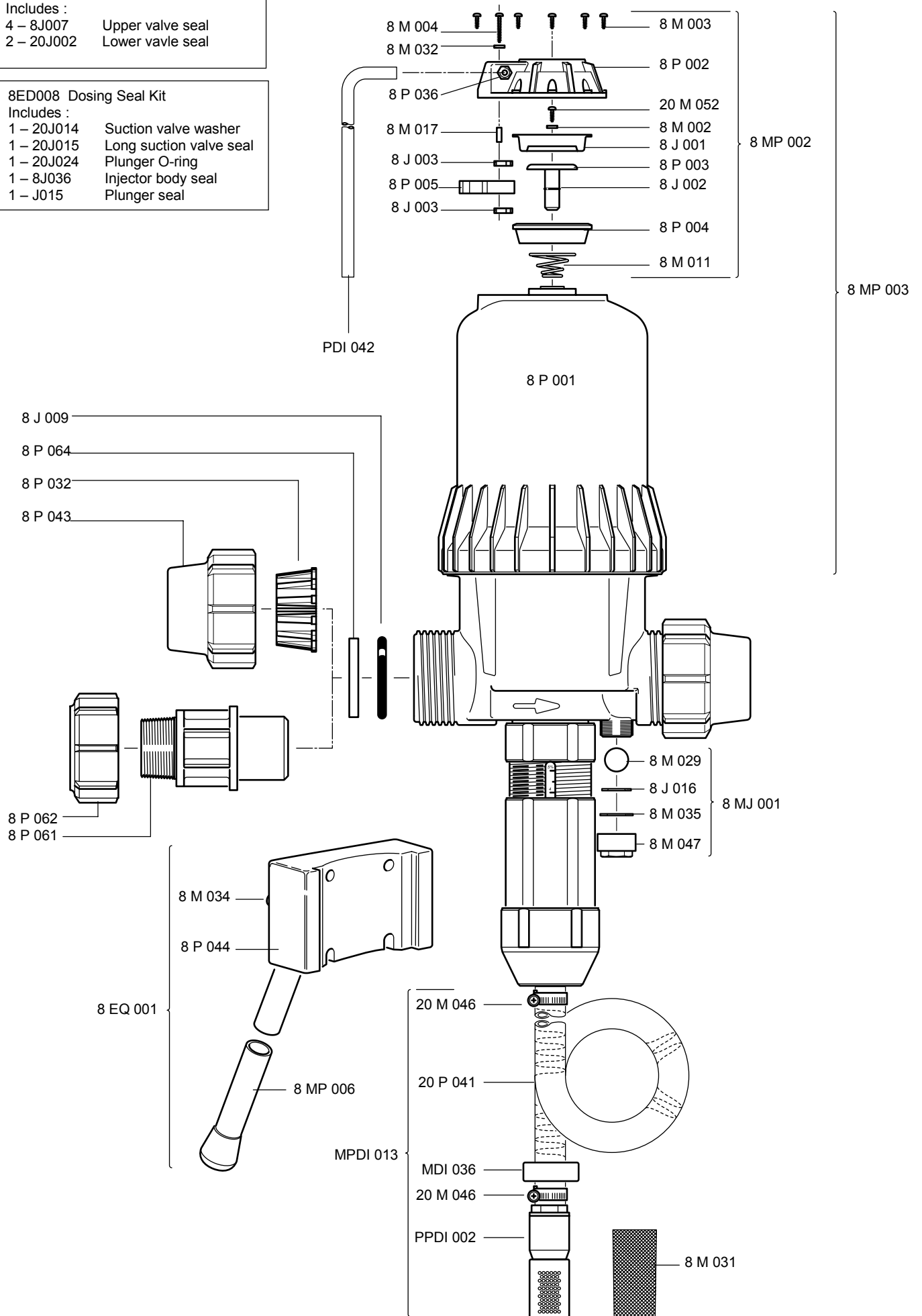
D8R150

8EM001 Motor Seal Kit

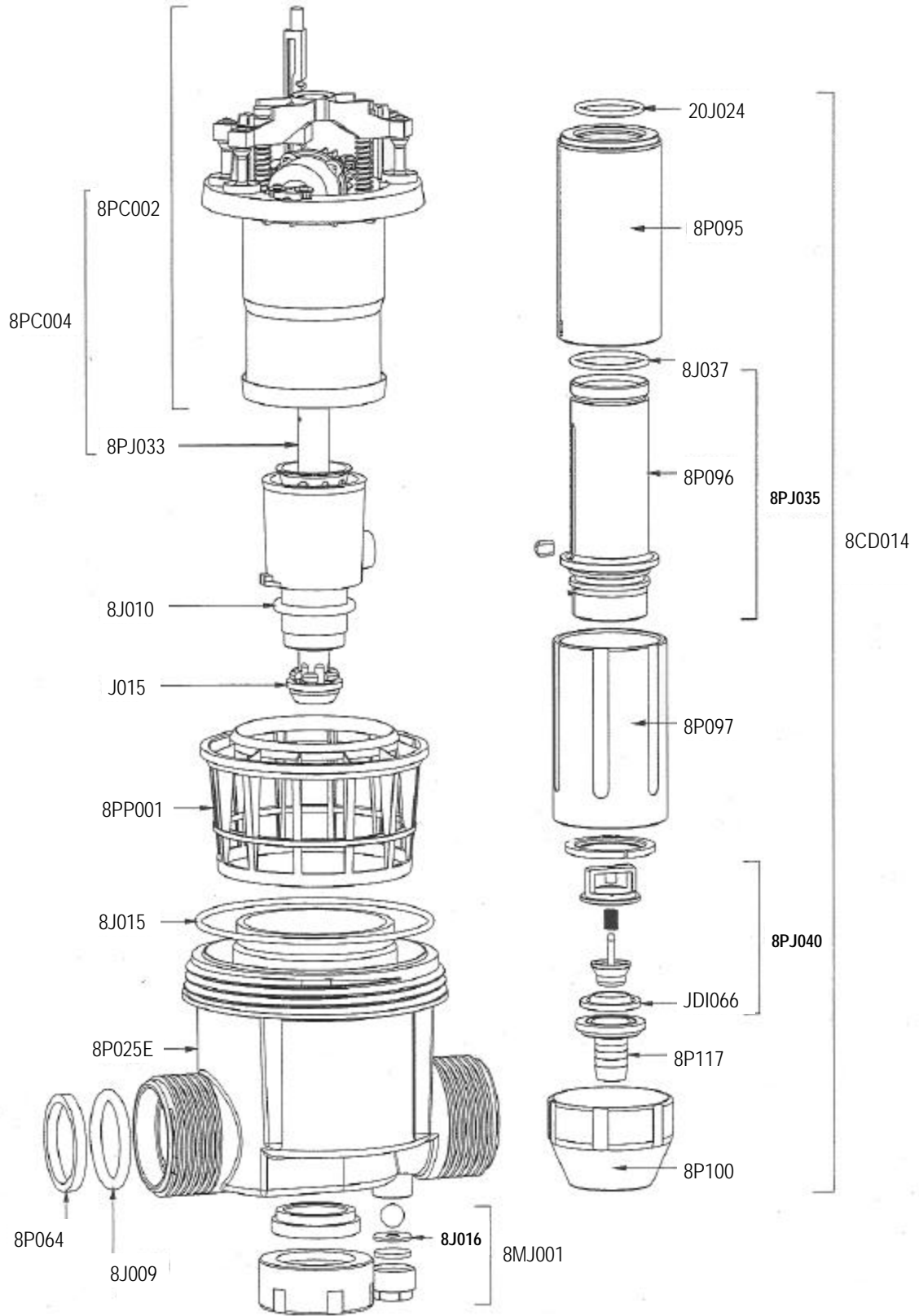
- Includes :
- 4 – 8J007 Upper valve seal
 - 2 – 20J002 Lower valve seal

8ED008 Dosing Seal Kit

- Includes :
- 1 – 20J014 Suction valve washer
 - 1 – 20J015 Long suction valve seal
 - 1 – 20J024 Plunger O-ring
 - 1 – 8J036 Injector body seal
 - 1 – J015 Plunger seal



D8R150

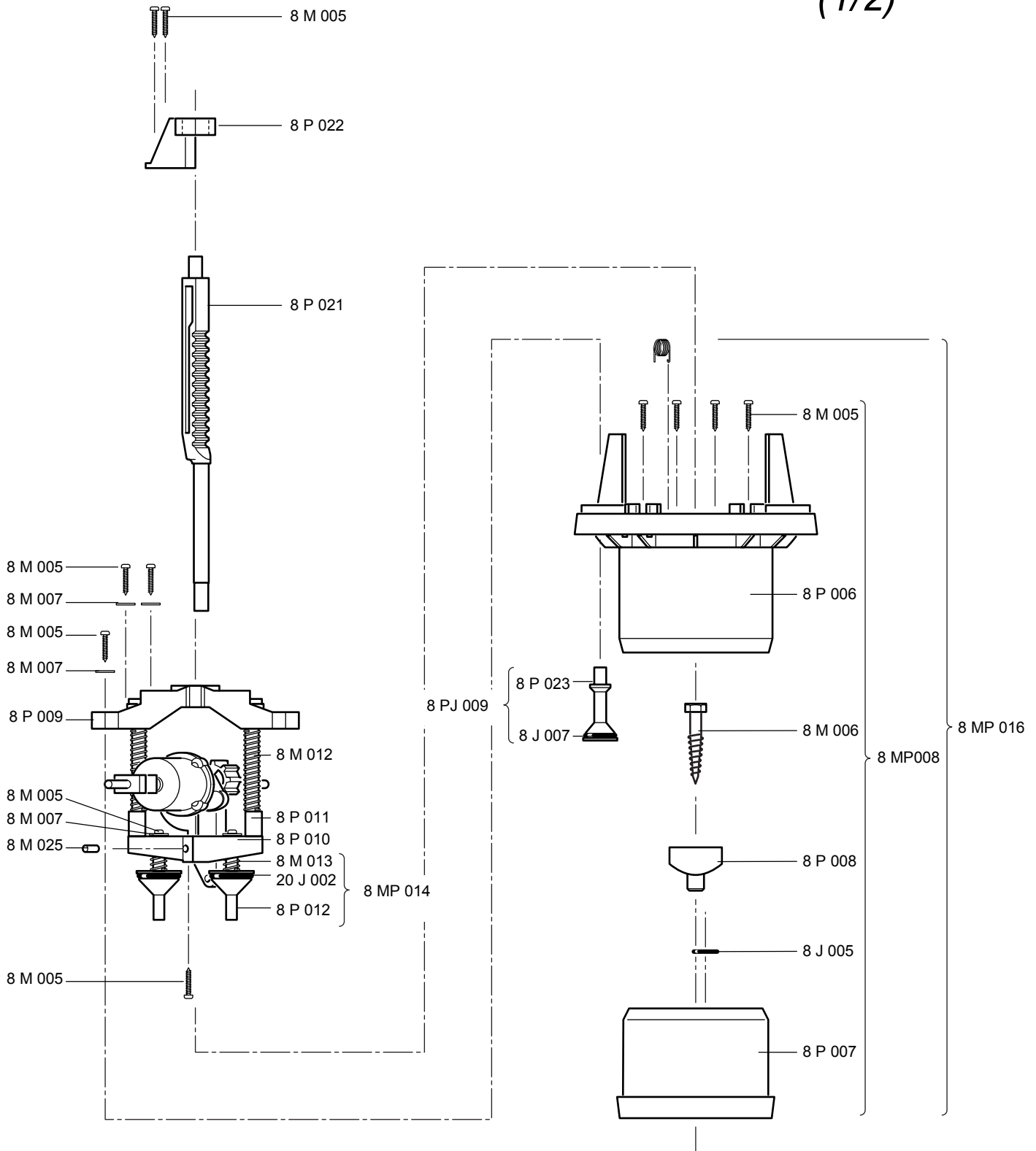


8PC 002

D 8 R

D 8 R 150

(1/2)

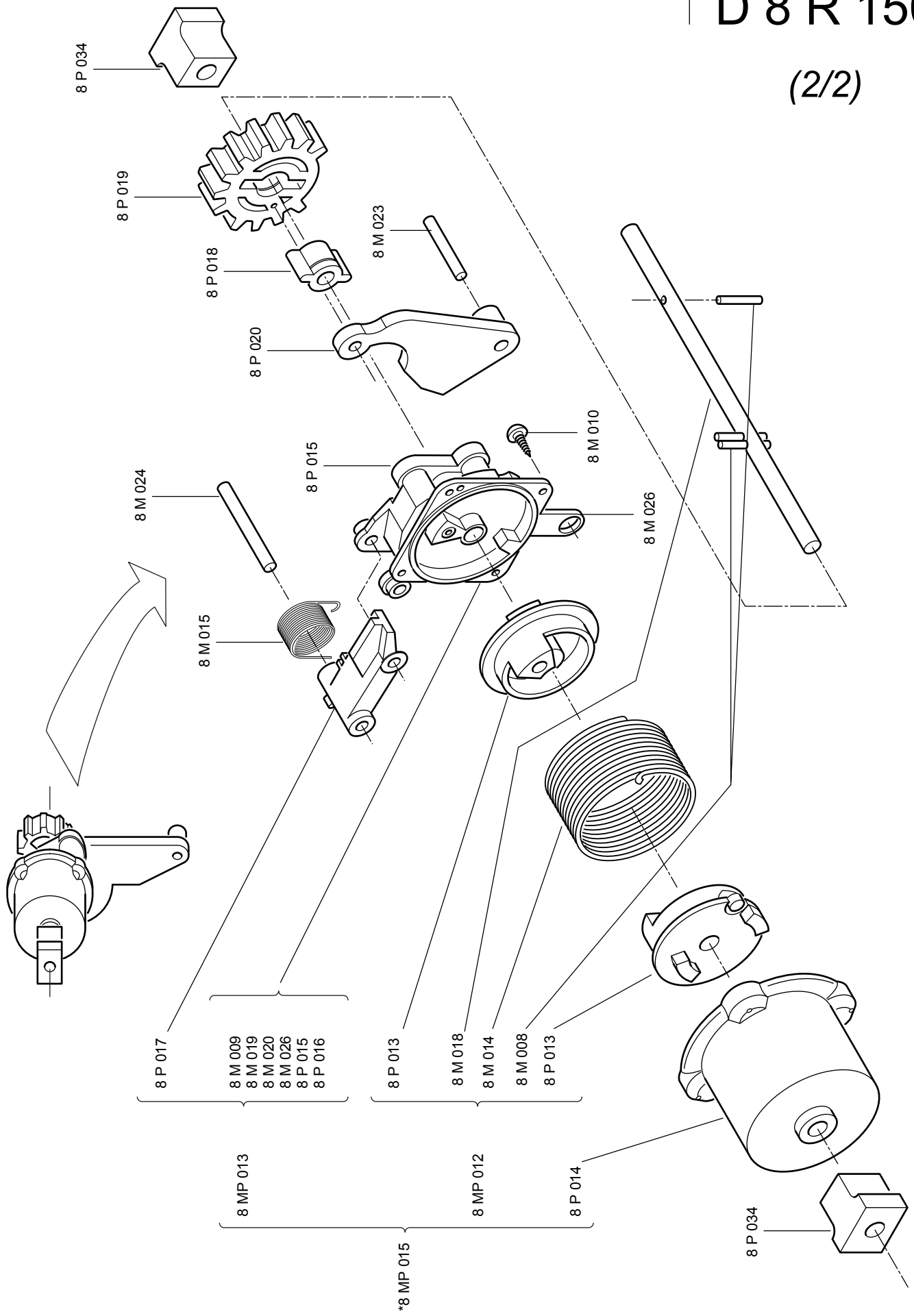


8PC 002

D 8 R

D 8 R 150

(2/2)



*8 MP 015 = 8 MP 012 + 8 MP 013 + 8 P 014 + 8 P 018 + 8 P 019 + 8 P 020 + 8 M 008 + 8 M 022 + 4 x 8 M 010

D8R150 PARTS LIST

PART #	PART DESCRIPTION
20J014VF	CHECK VALVE SEAL
20J015VF	LONG CHECK VALVE O-RING
20J024VF	PLUNGER O-RING D8R150
20M046	FASTENER
20M052	SCREW
20P039	LOWER CHECK VALVE
20P041	4' 20MM SUCTION HOSE
20PJ011VF	LONG CHECK VALVE ASSEMBLY
8ED008VF	DOSING SEAL KIT D8R150
8EM001	PISTON VALVE SEAL KIT
8EQ001	BRACKET & LEGS - D8R
8J002	SEAL
8J003	BYPASS SEAL
8J009	INLET/OUTLET O-RING - D8R NPT CONNECTIONS
8J010	DIFFUSER SEAL
8J015	BELL HOUSING SEAL
8J016	FLAT SEAL VACUUM BREAKER
8J036VF	INJECTOR BODY SEAL D8R150
8M029	BALL VACUUM BREAKER VALVE
8M035	STAINLESS STEEL DISK
8MJ001	VACUUM BREAKER ASSEMBLY D8R150
8MP002	BYPASS ASSEMBLY
8MP003	BELL HOUSING ASSEMBLY
8P036	AIR BLEED BARB - D8R
8P043	INLET & OUTLET NUT
8P044	WALL BRACKET
8P061	ADAPTER 50 x 1/2"
8P062	NUT FOR ADAPTER
8P064	THRUST RING
8P088	SCALE D8R150
8P092	INNER INJECTION SLEEVE D8R150
8P093	DIFFUSER NUT D8R150
8P094	NUT FOR SLEEVE
8P095	ADJUSTING SLEEVE D8R150
8P096	INJECTOR STEM
8P097	BLACK ADJUSTING SLEEVE
8P098	INJECTOR STEM KEY
8P099	SPLIT RING
8P100	ADJUSTING SLEEVE NUT D8R150
8PC002	PISTON ASSEMBLY
8PJ033VF	PLUNGER ASSEMBLY D8R150
8PP001	FILTER
J015SN	PISTON PLUNGER SEAL
MDI036	WEIGHT FOR SUCTION
MPDI013	SUCTION HOSE ASSEMBLY (20MM)
PDI042	4' 6MM SUCTION HOSE
PPDI002	STRAINER ASSEMBLY - DI210V/D8210R