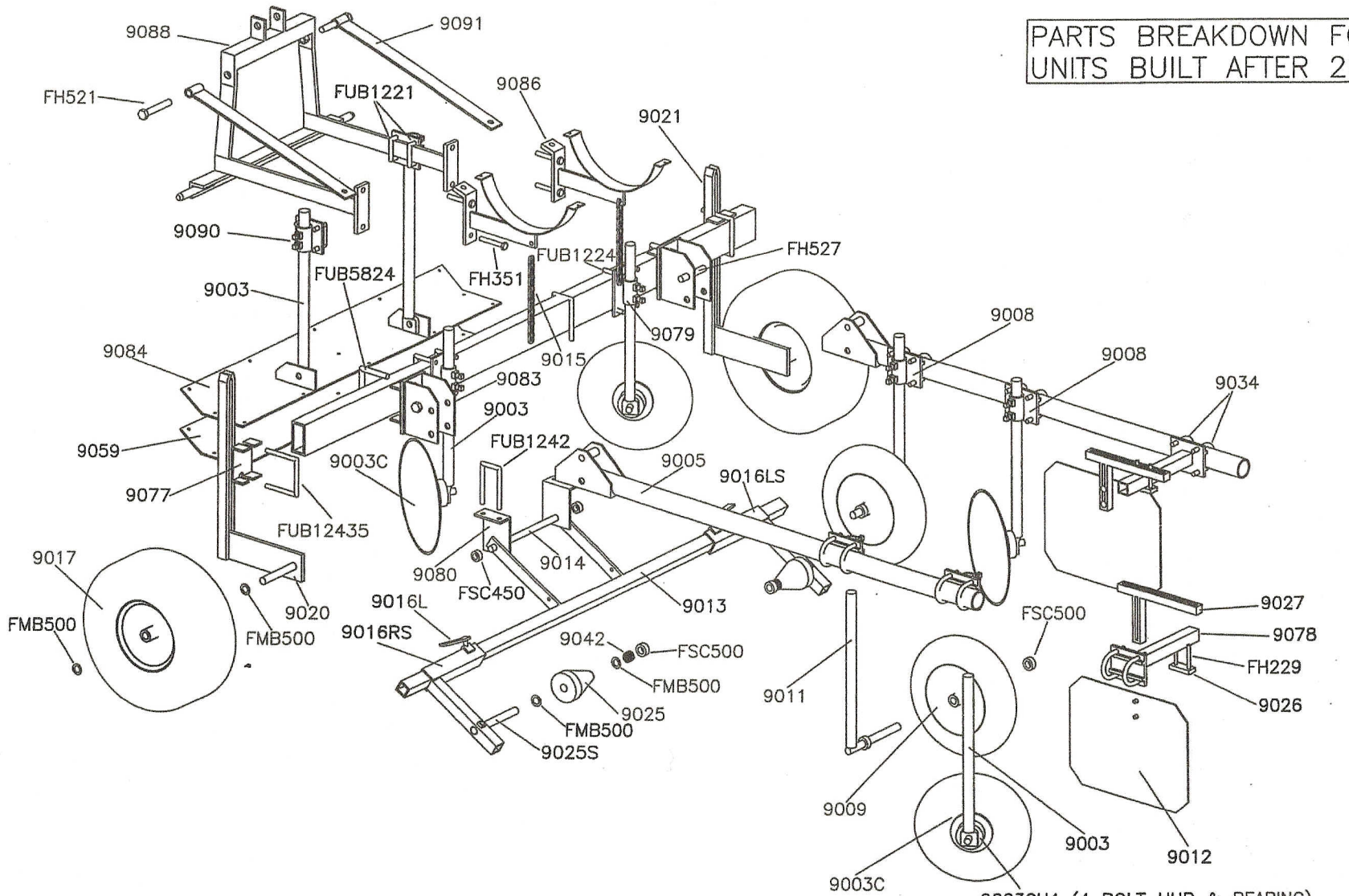


PARTS BREAKDOWN FOR
UNITS BUILT AFTER 2006



- 9003CH4 (4 BOLT HUB & BEARING)
- 1000BJD (BEARING FOR 4 BOLT HUB)
- 9003CH6 (6 BOLT HUB & BEARING)
- 9003CHB6 (BEARING FOR 6 BOLT HUB)