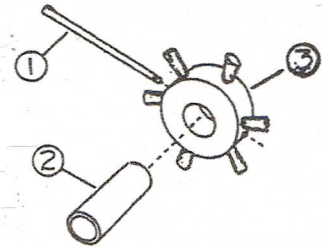


REPAIR PARTS

B 73-09B Hand Seeder



BUNDLE B10-039X: NARROW BRUSH FEED WHEEL
FOR SINGLE HOPPER
BUNDLE B96-084X: WIDE BRUSH FEED WHEEL
FOR DOUBLE HOPPER

REF. NO.	PART NO.	DESCRIPTION	NO. REQ.
1	001-3355	Cotter Pin 1/8" x 2"	1
2	P00-521A	Ferrule	1
3	P96-083	Brush, Narrow Feed Wheel	1
	P96-084	Brush, Wide Feed Wheel (Not Shown)	1

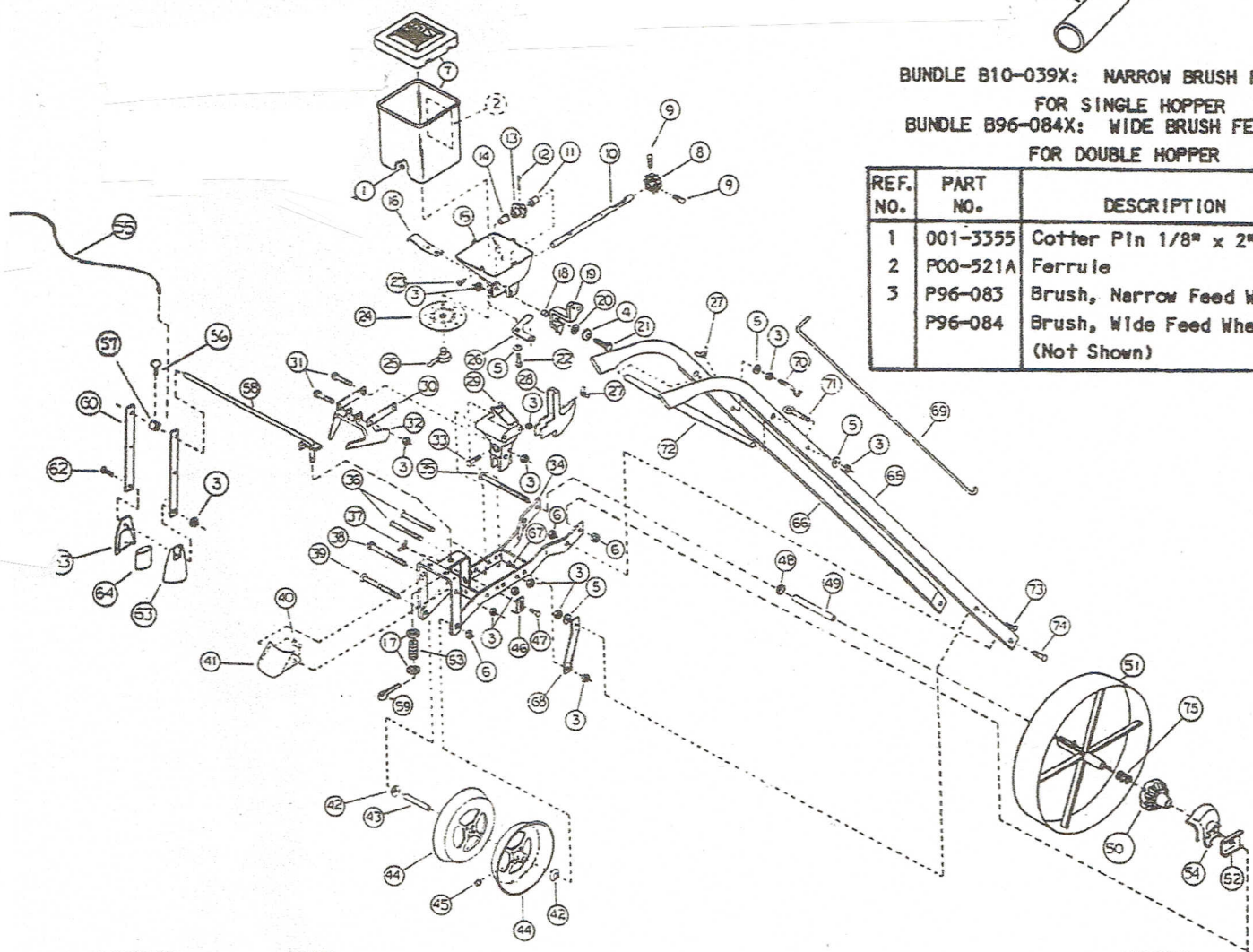


DIAGRAM NUMBER	PART NUMBER	DESCRIPTION	NUMBER PER ASSEMBLY
1	001-1047	Washer, 1/8 Pop Rivet .312 x .129 x .030	12
2	003-5598	Decal, Powell/Cole Planet Jr.	1
3	001-0054	Locknut, Hex ZP 1/4-20NC	15
4	P21-304	Washer, Belleville	1
5	001-1001	Washer, Flat ZP 1/4" USS STD Wrought	5
6	001-0055	Locknut, Hex ZP 3/8-16NC	4
7	P21-458	Hopper and Lid Assembly/Plastic, Square	1
	B21-326A	Hopper, Seed W/Shaft Assembly	1
8	004-4605	Gear, Pinion Drive (Order 012-0250 Kit)	1
9	001-2751	Screw, Set Sq. Hd ZP 1/4 x 1/2	2
10	016-5000	Shaft, Drive Planet Jr.	1