



1508 Elm Hill Pike, Suite 108
Nashville, TN 37210
IHP.us.com



P750029M
750029M Rev. G 10/2014

INSTALLATION INSTRUCTIONS FOR BLOWER KIT FBK-250 (CATALOG NO. 80L86) FOR USE WITH GAS FIREPLACES

GENERAL INFORMATION

This blower kit may be used with gas fireplaces. The FBK-250 blower kit is used when unit-mounted variable speed blower control is desired. The blower is installed beneath the firebox. Room air is drawn in through the bottom area of the fireplace, heated as it passes across the firebox, and discharged through the upper panel/louver area at the top of the fireplace. This kit contains one blower, one speed control module, two speed control module securing screws and these instructions.

INSTALLATION INSTRUCTIONS

Step 1. Turn off the fireplace and allow it to cool before proceeding.

Step 2. If the appliance is connected to 120 volt power, disconnect the power.

Step 3. Shut off the gas supply to the fireplace.

Step 4. Open the lower compartment door (either a radiant panel or louver assembly) by pushing in simultaneously the left and right side of the door. (The door is hinged at the bottom.)

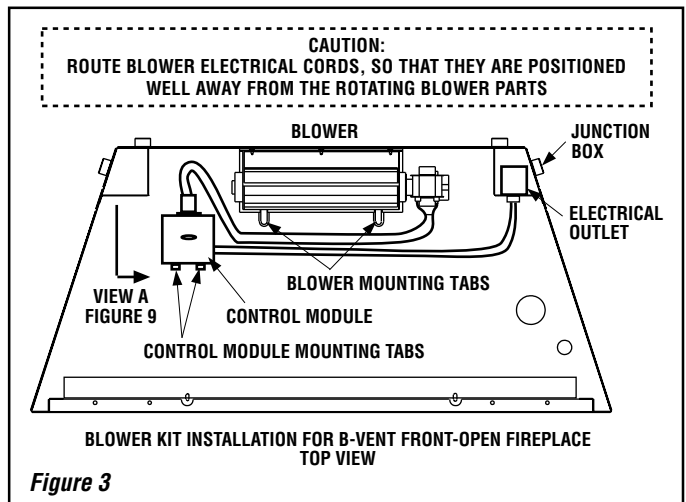
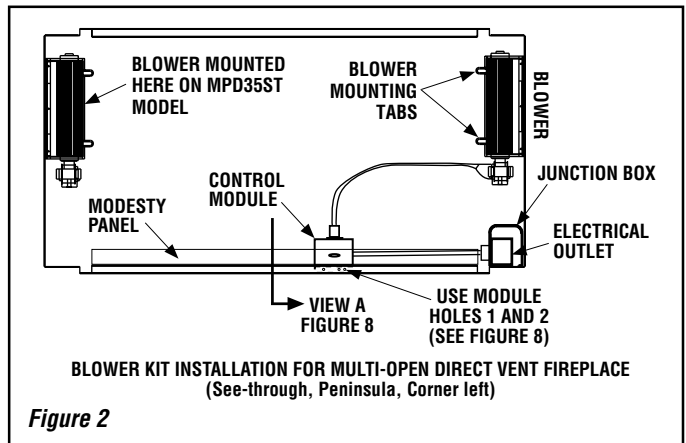
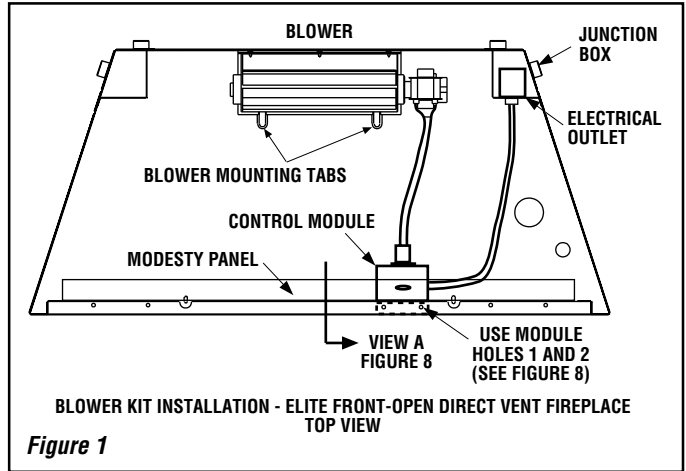
Step 5. D-400, D-500, D-600 and D-800 series; B-500, B-600, and B-800 series; and MDT3328 and MDR3328 Fireplaces - Remove the bottom panel or louver assembly by removing the screw at each end of the panel or louver assembly, retain the end spacers, and then pull the panel or the louver assembly from the unit.

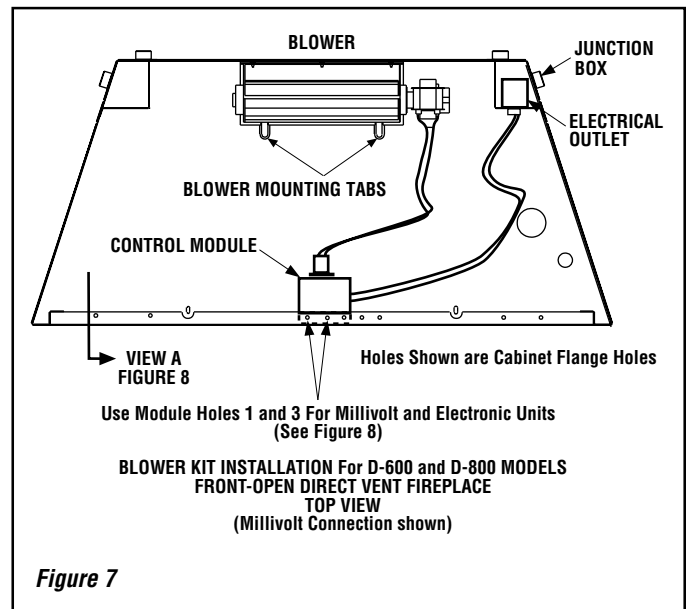
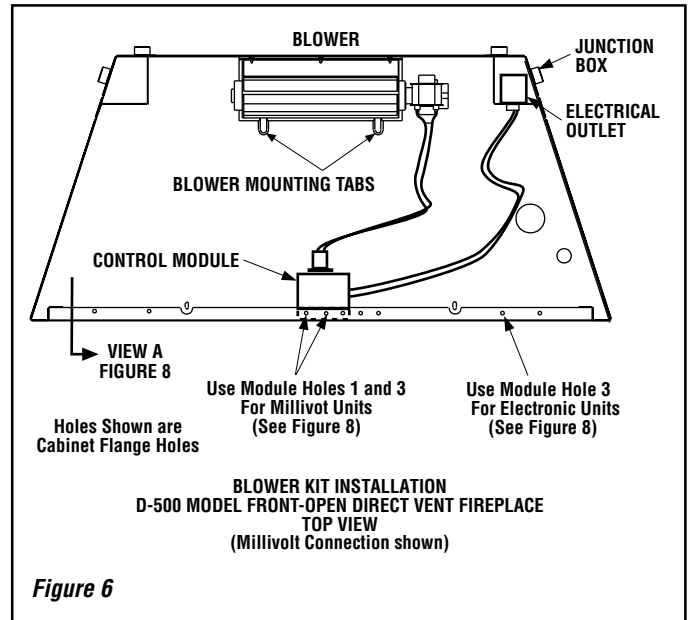
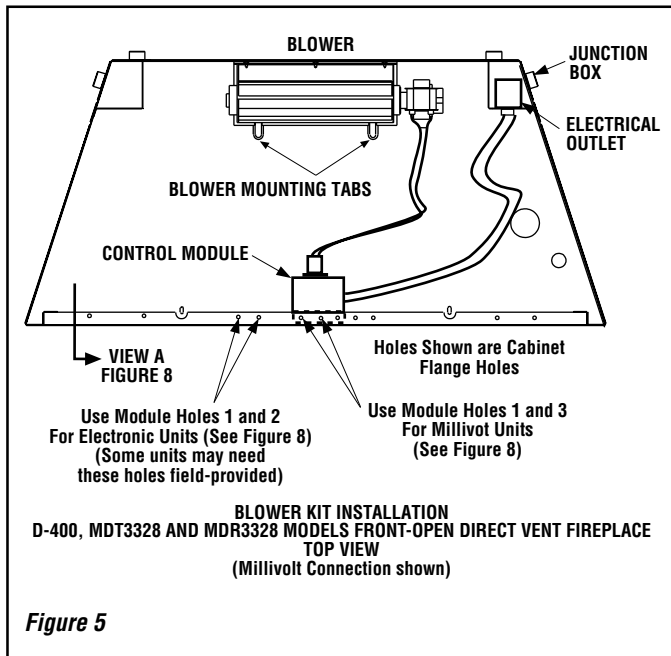
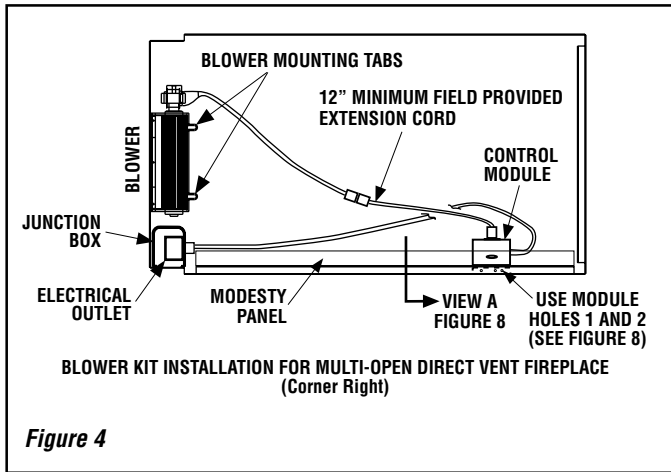
Elite-2 Series Fireplaces - Remove the bottom compartment door (on Multi-Open fireplaces, the modesty-panel-side door) by sliding the hinge pin, located at the door's left side, to the right until it disengages from the left corner post hole. Pull the door diagonally to the left, away from the fireplace.

Step 6. Elite-2 Series Fireplaces - Remove the modesty panel as follows: lift the modesty panel by the tab on the panel's right end, pull the right end of the panel away from cabinet and then pull the panel diagonally out of the corner post slots on the left side of the unit. Remove the modesty panel carefully, so that none of the wires become loose or disconnected.

Step 7. Front-open direct vent and B-vent units -

Slide the blower assembly through the front opening to the middle rear area of the cabinet base. Position the blower assembly so that the tabs (located on the cabinet base) are seated in the notches of the blower bracket. Then bend the tabs over to secure the blower assembly. See **Figure 1, direct vent models; Figure 3, B-vent models.**





Multi-open direct vent - Open all remaining bottom hinged-panels. Slide the blower assembly through the closest opening to the flue side of the cabinet base. Position the blower assembly so that the tabs (located on the cabinet base) are seated in the notches of the blower bracket. Bend the tabs over to secure the blower assembly. *See Figure 2 for see-through, peninsula or corner-left models; Figure 4 for corner right models.*

Step 8. If electrical power has not been provided to the unit's junction box receptacle - Route a 3-wire, 120Vac power line to the unit's junction box. Remove the receptacle by removing the two securing screws. Connect the supply wires to the receptacle as shown in *Figure 10*. Reinstall the receptacle.

IMPORTANT: Ground lead must be connected to the green screw located on the junction box . Failure to do so will prevent the appliance from operating. The appliance must be electrically grounded in accordance with local codes or, in the absence of local codes, the National Electrical Code, ANSI/NFPA 70-(latest edition). (In Canada, the current CSA C22-1 Canadian Electrical Code.)

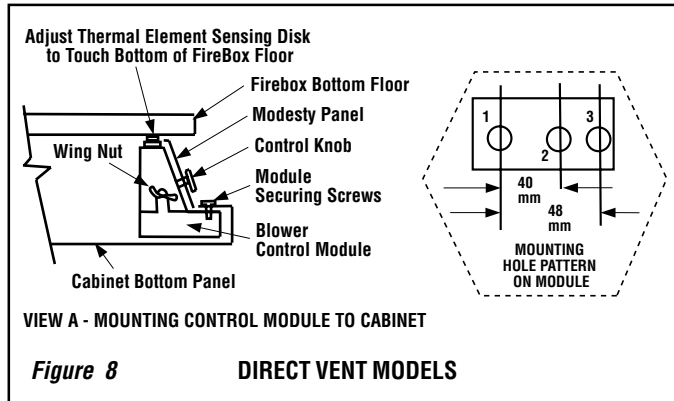
Step 9. Multi-open direct vent units - Install a junction box cover (field-provided) over the junction box.

NOTE: DIAGRAMS & ILLUSTRATIONS NOT TO SCALE.

Step 10. Direct vent units - Place the front lip of the control module underneath the front flange of the cabinet bottom panel as shown in **View A, Figure 8**. The location of the two or one screw(s) used to mount the control module (a numbered module mounting hole pattern is shown in **Figure 8**) varies between the Elite-2; D-400, MDT3328 and MDR3328; D-500, D600, and D-800 series appliances:

- a** - see **Figure 1** for *Elite-2 Front -open units*;
- b** - see **Figure 2** for *EDST-2, EDPF-2, and EDCL-2 multi-open units*;
- c** - see **Figure 4** for *EDCR-2 Multi-open units*;
- d** - see **Figure 5** for *D-400, MDT3328 AND MDR3328 units*;
- e** - see **Figure 6** for *D-500 series units*;
- f** - see **Figure 7** for *D-600 and 800 series units*;

Secure the module with the two (or one) kit-provided screw(s).



B-vent units - There are two module mounting tabs located on the cabinet base just to the left/front of the blower, as shown in **Figure 3**. Bend these tabs up, 90 degrees. Place the control module behind the vertical tabs as shown in **Figure 3** and secure the module to the tabs with the two screws provided in this kit.

Step 11. Adjust the height of the thermal element sensing disk located on top of the module so that it touches the underside of the firebox floor in Direct Vent units, B-600/800 units and the firebox sub-floor in B-500 units. To accomplish this, loosen the wing nut on the module's side, raise the sensing disk housing to the height required above, then retighten the wingnut. See **Figure 8, View A** for direct vent units, see **Figure 9, View A** for B-500 units and **Figure 9, View B** for B-600/800 units.

Step 12. Plug the blower cord into the module and the module cord into the top receptacle as shown in **Figure 10**.

Step 13. Elite-2 Series Gas Fireplaces - Remove the control knob from the module. See **View A, Figure 8**. Cut out the circular opening on the modesty panel sticker that is reserved for the installation of the speed control module. Reinstall the modesty panel carefully, so that none of the wires become loose or disconnected. Reinstall the control knob.

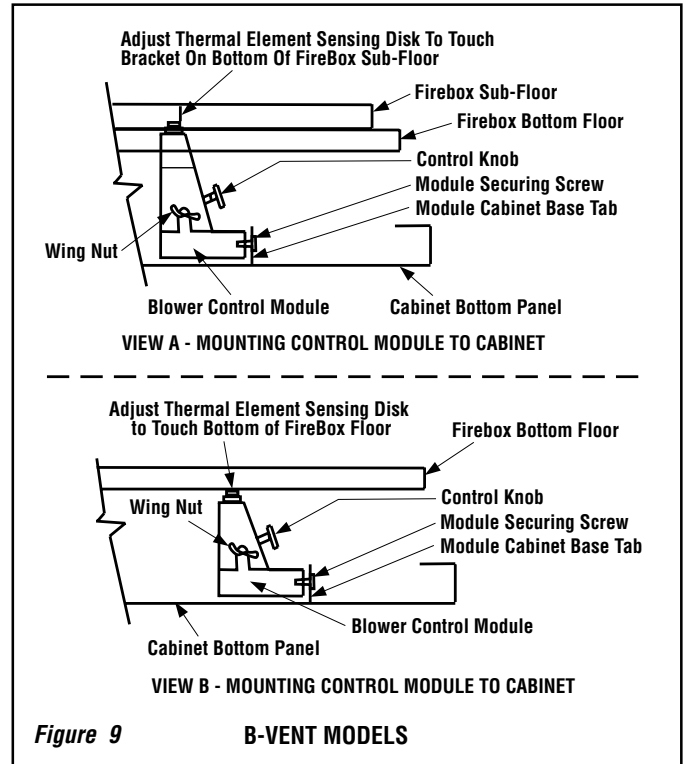
Step 14. Elite-2 Series Gas Fireplaces - Reinstall the modesty panel. Reinstall the modesty panel carefully, so that none of the wires become loose or disconnected.

Step 15. Reinstall the bottom panel or louver assembly.

Step 16. Restore the electrical power to the unit.

Step 17. Start the fireplace by following the procedure indicated in the lighting instructions section of the Homeowner's Care and Operation Instructions manual, supplied with the fireplace.

Step 18. Check the start up and shutdown, and the running operation of the blower. Also check the variable speed feature of the speed control.

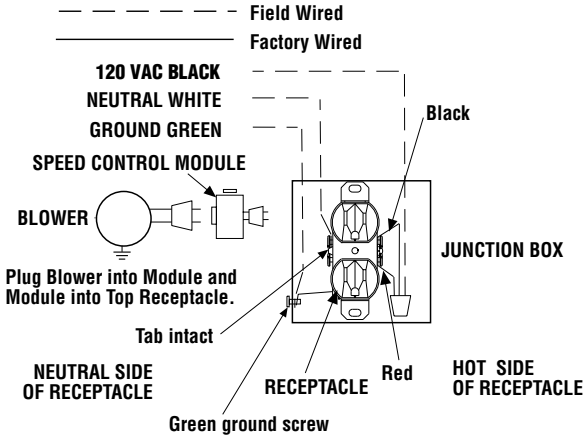


Direct Vent Units - The approximate blower start time is 15 minutes from main burner startup. The approximate blower shut off time is 10 after main burner shut down.

B-Vent Units - The approximate blower start time is 20 minutes from main burner startup. The approximate blower shut off time is 20 after main burner shut down.

NOTE: DIAGRAMS & ILLUSTRATIONS NOT TO SCALE.

120V, 60HZ, 1PH BLOWER CONTROL CIRCUIT WIRING



If any of the original wire as supplied must be replaced, it must be replaced with type AWM 105 degree C - 14 gauge wire.

Figure 10

NOTE: DIAGRAMS & ILLUSTRATIONS NOT TO SCALE.



P750029M

750029M Rev. G 10/2014



INNOVATIVE HEARTH PRODUCTS
 1508 Elm Hill Pike, Suite 108
 Nashville, TN 37210
IHP.us.com